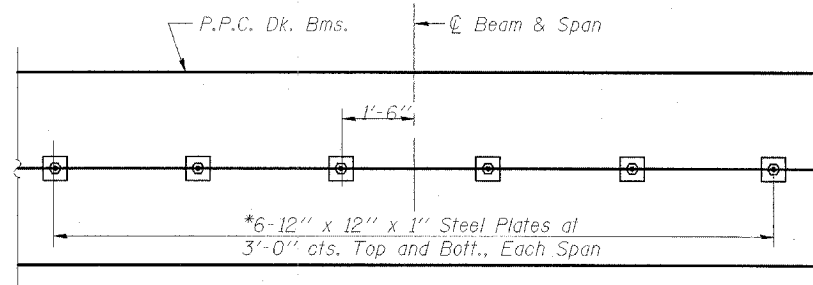


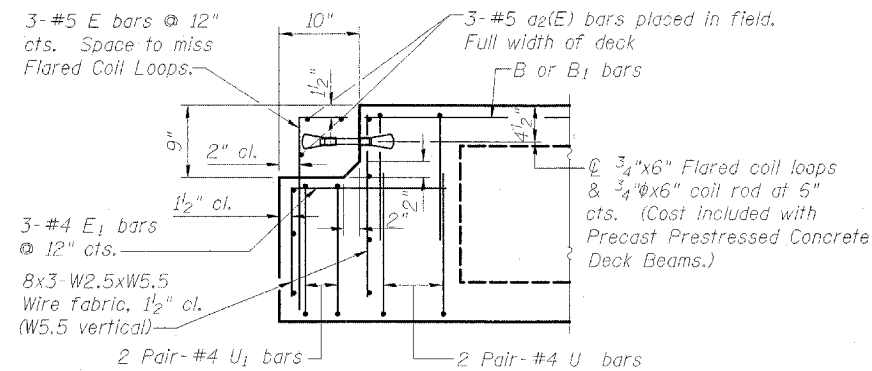
ROUTE NO.	SECTION	COUNTY	TOTAL SHEETS	SHEET NO.	SHEET NO. 6 16 SHEETS
FAS 227	105BR-2	HENRY	31	18	
REG. ROAD DIST. NO. 7		ILLINOIS	PRELIM. PROJECT		

Contract #64B25



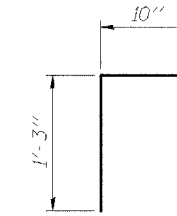
PLAN

*Space plates to miss Temporary Bridge Rail Posts.

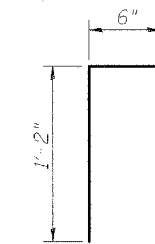


END OF BEAM (EXPANSION END)

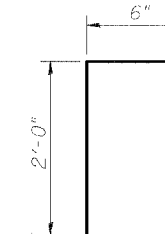
(Dimensions are at Rt. L's)



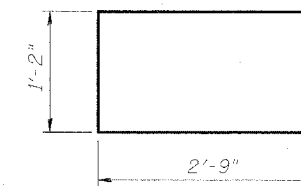
D(E) BAR



BAR E



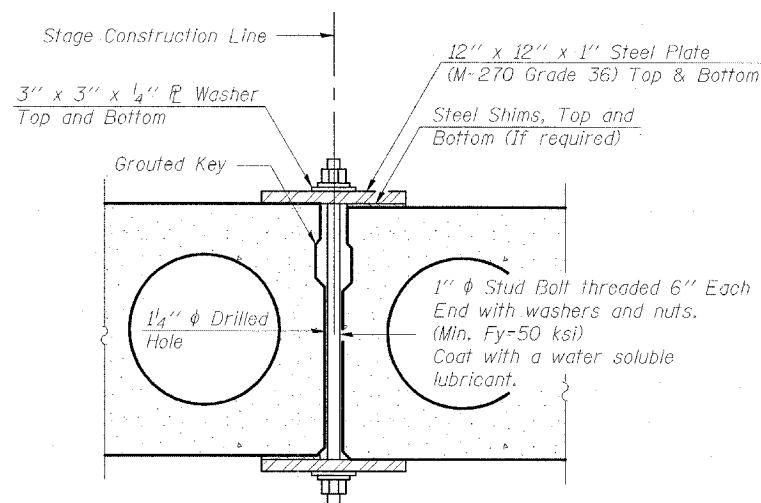
BAR E1



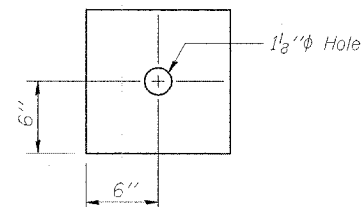
BAR U



BAR U1



SECTION



CLAMPING PLATE

SHEAR KEY CLAMPING DETAILS AT STAGE CONST. JT.

See Special Provisions for Stage Construction of Precast Prestressed Concrete Deck Beams.
See Stage Construction Details for Traffic Lanes.
Cost included with "Precast Prestressed Concrete Deck Beams".

BILL OF MATERIAL

Precast Prestressed Concrete Deck Beams (17" Depth).	Sq. Ft.	2,518
--	---------	-------

SUPERSTRUCTURE DETAILS

F.A.S. ROUTE 227 (OSCO ROAD)
OVER CAMP CREEK
SECTION 105BR-2
HENRY COUNTY
STATION 65+47.16
STRUCTURE NO. 037-0083



CHAMPAIGN, ILLINOIS
CHICAGO, ILLINOIS
EVANSVILLE, INDIANA
INDIANAPOLIS, INDIANA
KENOSHA, WISCONSIN
SPRING GREEN, WISCONSIN

REVISIONS		DATE	DRAWING NUMBER
NAME			
			S-6

NOTE: DIMENSIONAL DATA IS NOT TO BE OBTAINED BY SCALING ANY PORTION OF THIS DRAWING.

DESIGNED BY: S.L.C. PROJECT NO.: 102302
DRAWN BY: M.E.N. DATE: 12/05
CHECKED BY: M.M.
APPROVED BY: M.M.
ACTIVITY: DETAILS