

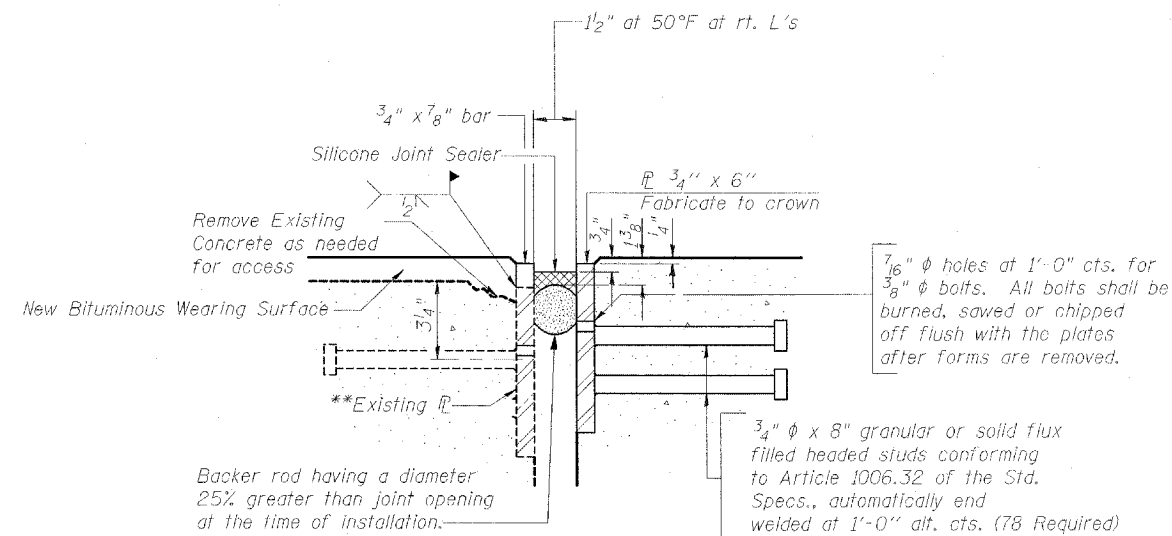
ROUTE NO.	SECTION	COUNTY	TOTAL SHEETS	SHEET NO.	SHEET NO. 8 16 SHEETS
FAS 227	105BR-2	HENRY	31	20	
FED. ROAD DIST. NO. 7	ILLINOIS	FED. AID PROJECT-			

Contract #64B25

GENERAL NOTES

Furnish steel plates in segments of 20 feet maximum length. Maximum space between installed segments shall be 3/16". Seal space with silicone sealant suitable for structural steel.

After fabrication all surfaces of the steel plates shall be given one coat of paint specified for Structural Steel.



**The existing 3/4"x7" surface shall be sand blasted and given one coat of paint specified for structural steel. Cost to be included with Furnishing & Erecting Structural Steel.

SECTION THRU EXPANSION JOINT AT ABUTMENTS

BILL OF MATERIAL

Item	Unit	Total
Silicone Joint Sealer, 1 1/2"	foot	77

SILICONE JOINT SEALER

F.A.S. ROUTE 227 (OSCO ROAD)
OVER CAMP CREEK
SECTION 105BR-2
HENRY COUNTY
STATION 65+47.16
STRUCTURE NO. 037-0083

Clark Dietz
CHAMPAIGN, ILLINOIS
CHICAGO, ILLINOIS
EVANSVILLE, INDIANA
INDIANAPOLIS, INDIANA
KENDSHA, WISCONSIN
SPRING GREEN, WISCONSIN

REVISIONS		DRAWING NUMBER
NAME	DATE	
		S-8

NOTE: DIMENSIONAL DATA IS NOT TO BE OBTAINED BY SCALING ANY PORTION OF THIS DRAWING.

DESIGNED BY: S.L.D. PROJECT NO: 102302
 DRAWN BY: M.W. DATE: 12/05
 CHECKED BY: M.M.
 APPROVED BY: M.M.
 ACTIVITY: DETAILS