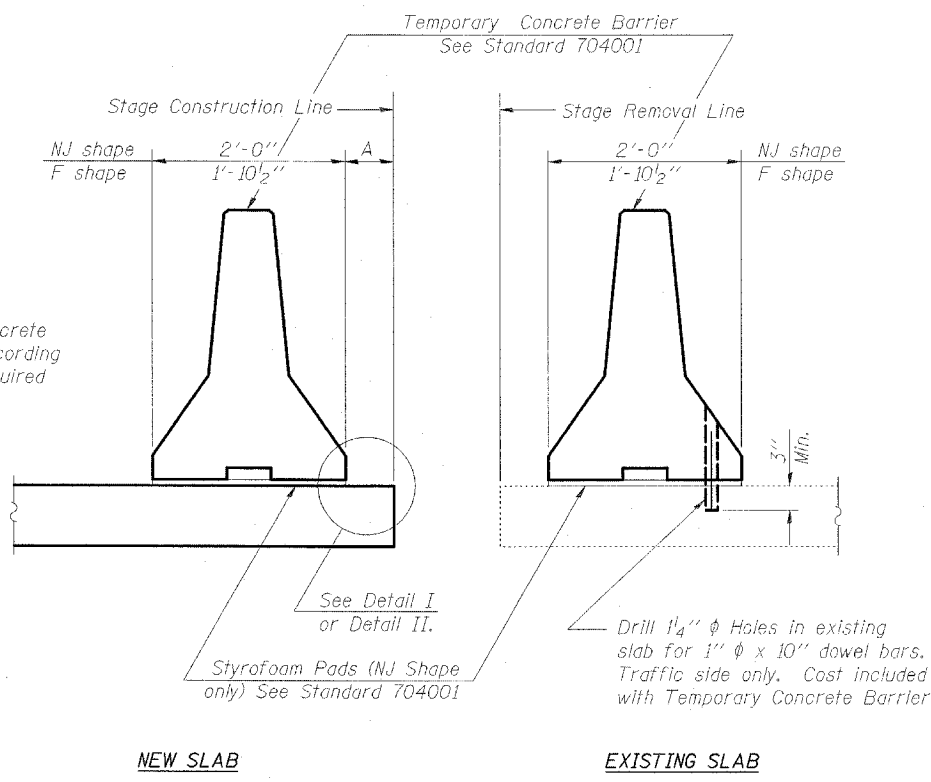
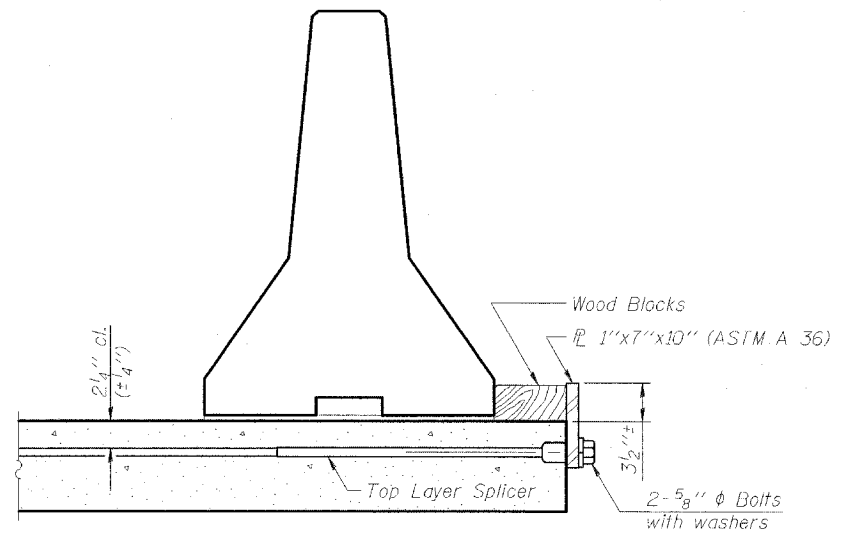


Contract #64B25

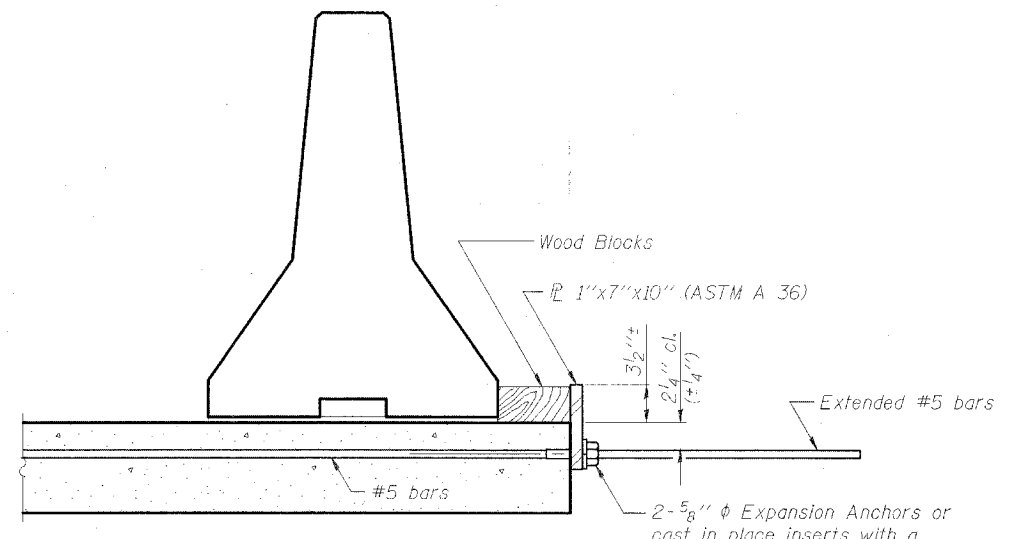


SECTIONS THRU SLAB



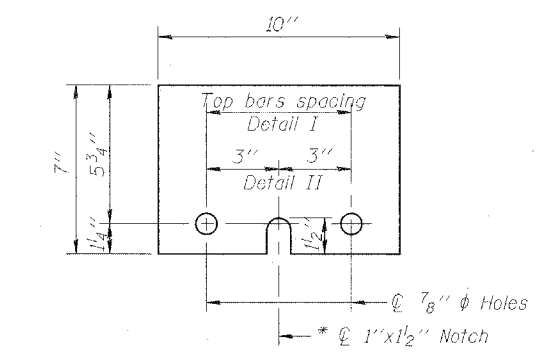
DETAIL I

The 1" x 7" x 10" Plate shall not be removed until Stage II Construction forms and reinforcement bars are in place.



DETAIL II

The 1" x 7" x 10" Plate shall not be removed until Stage II Construction forms and all reinforcement bars are in place and the concrete is ready to be placed.



1" x 7" x 10"

* Required only with Detail II

NOTES

- Detail I - With Bar Splicer or Couplers:
Connect one (1) 1" x 7" x 10" steel \bar{L} to the top layer of couplers with 2-5/8" ϕ bolts screwed to coupler at approximate \bar{C} of each barrier panel.
 - Detail II - With Extended Reinforcement Bars:
Connect one (1) 1" x 7" x 10" steel \bar{L} to the concrete slab with 2-5/8" ϕ Expansion Anchors or cast in place inserts spaced between the top layer of reinforcement at approximate \bar{C} of each barrier panel.
- Cost of anchorage is included with Temporary Concrete Barrier.

REVISIONS		DATE	DRAWING NUMBER
NAME			
			S-12

TEMPORARY CONCRETE BARRIER FOR STAGE CONSTRUCTION

F.A.S. ROUTE 227 (OSCO ROAD)
OVER CAMP CREEK
SECTION 105BR-2
HENRY COUNTY
STATION 65+47.16
STRUCTURE NO. 037-0083

Clark Dietz

CHAMPAIGN, ILLINOIS
CHICAGO, ILLINOIS
EVANSVILLE, INDIANA
INDIANAPOLIS, INDIANA
KENOSHA, WISCONSIN
SPRING GREEN, WISCONSIN

NOTE: DIMENSIONAL DATA IS NOT TO BE OBTAINED BY SCALING ANY PORTION OF THIS DRAWING.

DESIGNED BY: S.L.D. PROJECT NO: 102382
DRAWN BY: MEW DATE: 12/05
CHECKED BY: M.M.
APPROVED BY: M.M.
ACTIVITY INITIALS