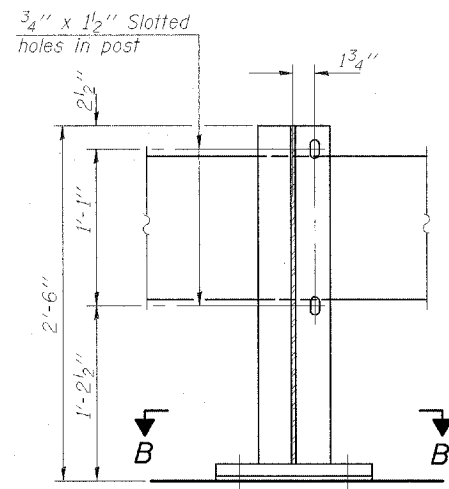


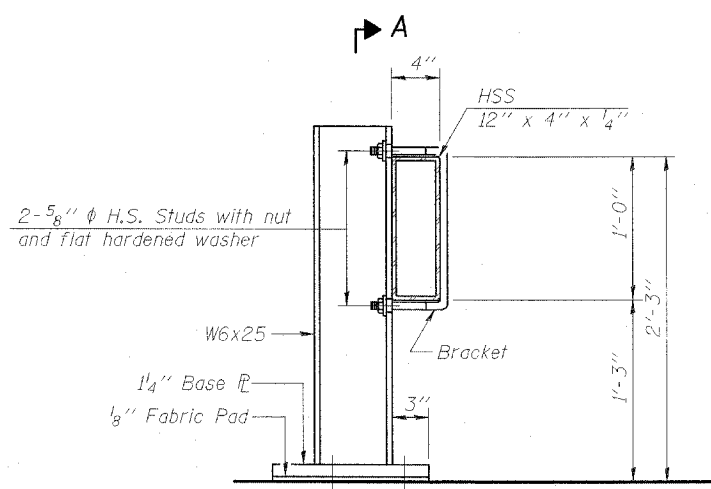
Contract #64B25

NOTES

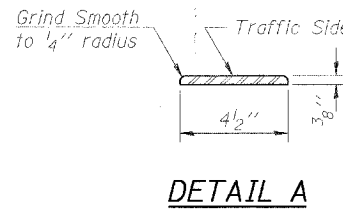
Hollow structural sections shall conform to the requirements of ASTM designation A 500 Grade B Structural Steel Tubing.
 All other steel shapes and plates shall conform to the requirements of AASHTO M 270 Grade 36 except posts and brackets shall conform to AASHTO M 270, Grade 50.
 Bolts, cap screws, and nuts shall conform to the requirements of ASTM designation A 307 except for high strength bolts, threaded rods, studs, nuts and washers noted which shall conform to AASHTO M 164.
 The bridge rail shall receive one shop coat of a steel prime paint.
 The 1" high strength bolts or threaded rods used to connect the railposts shall be tightened according to Article 505.04(f)(2) of the Standard Specifications.
 Temporary Bridge Rail shall be according to Section 514 of the Standard Specifications, except as noted, and will be paid for at the contract unit price per foot for Temporary Bridge Rail.
 See sheet of for Rail Post spacing.
 The contact surfaces between post flange, rail and inside face of bracket for Alternate I shall be free of all lubricants.
 The nut for 5/8" high strength studs used in Alternate I to connect bracket to post shall be tightened to a snug fit and given an additional one half turn.



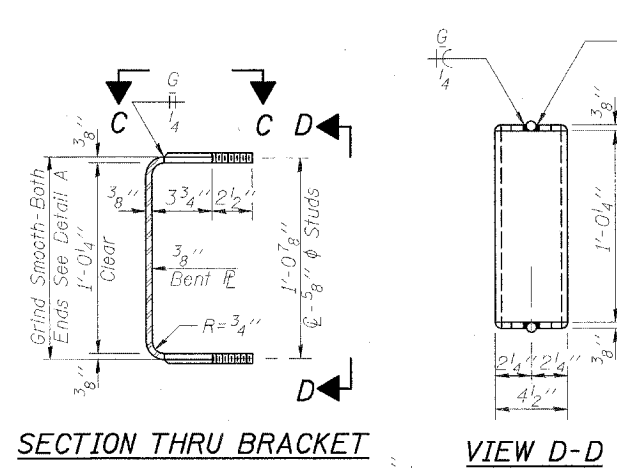
SECTION A-A



SECTION AT RAIL POST

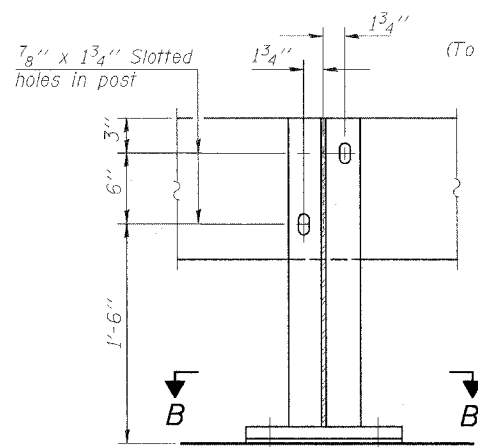


DETAIL A



SECTION THRU BRACKET

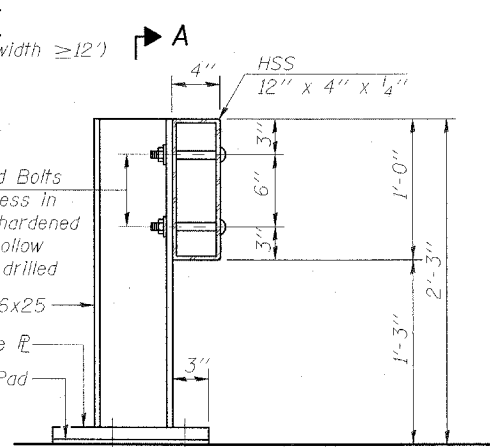
VIEW D-D



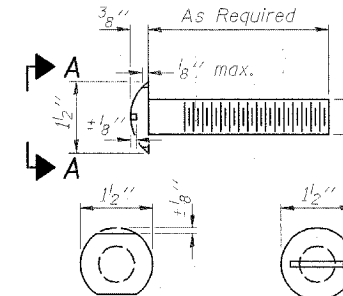
SECTION A-A

ALTERNATE I
(To be used only for Roadway width $\geq 12'$)

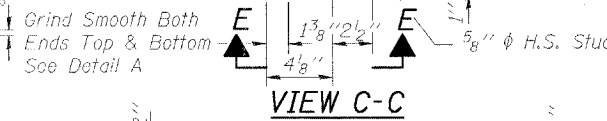
2-3/4" ϕ x 6" Round Head Bolts (With slot or approved recess in head) with locknut & flat hardened washer. 7/8" ϕ holes in hollow structural section may be drilled in the field.



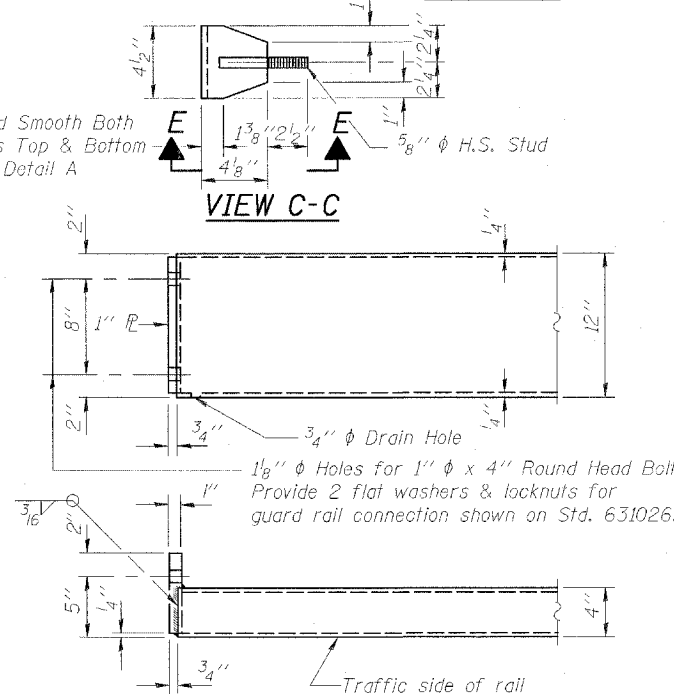
SECTION AT RAIL POST



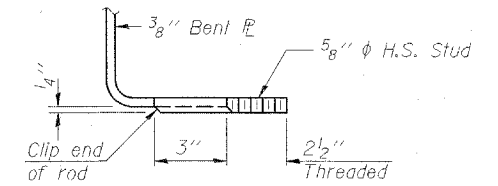
VIEW A-A ROUND HEAD BOLT



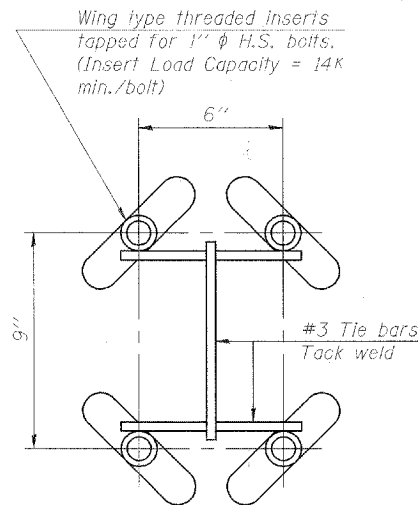
VIEW C-C



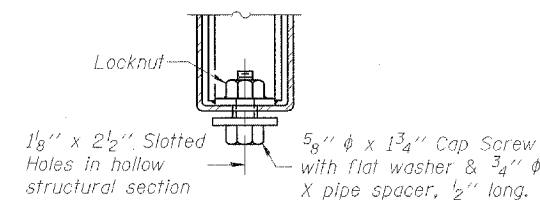
END OF RAIL DETAILS



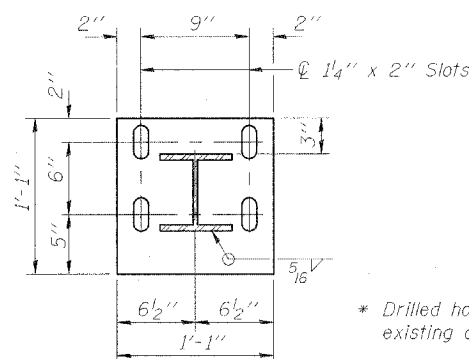
VIEW E-E



INSERT DETAIL

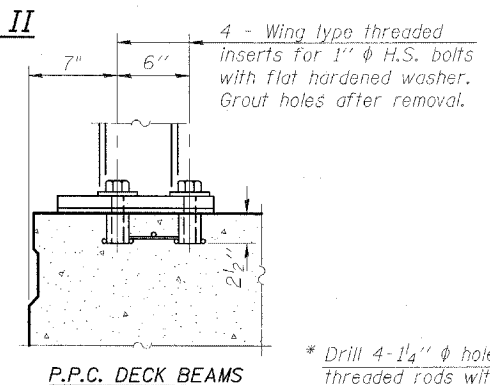


RAIL SPLICE CONNECTION AT EXPANSION JT.



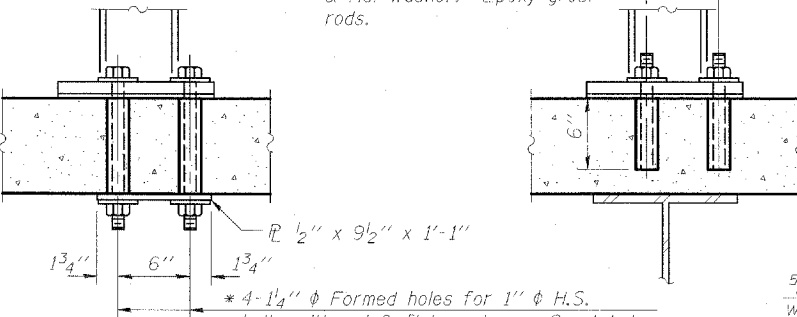
SECTION B-B

* Drilled holes for existing deck.

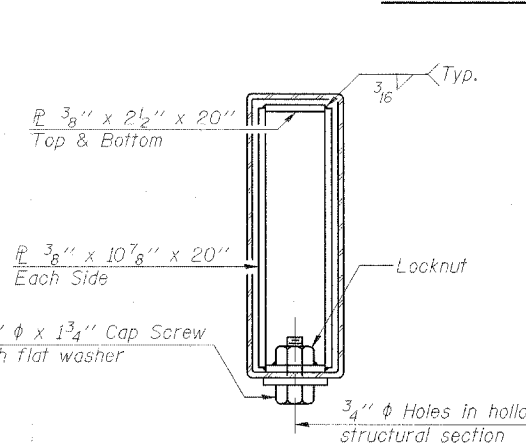


P.P.C. DECK BEAMS

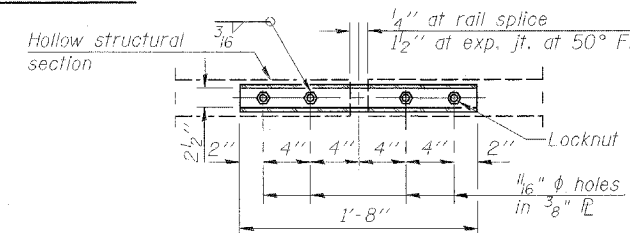
* Drill 4-1 1/4" ϕ holes for 1" ϕ threaded rods with hex nut & flat washer. Epoxy grout rods.



NEW & EXISTING DECKS ANCHORAGE DETAILS



SECTION AT RAIL SPLICE



PLAN-BOTT. SPLICE R TYPICAL

TEMPORARY BRIDGE RAIL POST SPACING

BILL OF MATERIAL

| Item | Unit | Quantity |
|-----------------------|------|----------|
| Temporary Bridge Rail | Foot | 77 |

TEMPORARY BRIDGE RAIL

F.A.S. ROUTE 227 (OSCO ROAD)
 OVER CAMP CREEK
 SECTION 105BR-2
 HENRY COUNTY
 STATION 65+47.16
 STRUCTURE NO. 037-0083

CHAMPAIGN, ILLINOIS
 CHICAGO, ILLINOIS
 EVANSVILLE, INDIANA
 INDIANAPOLIS, INDIANA
 KENOSHA, WISCONSIN
 SPRING GREEN, WISCONSIN

Clark Dietz

| REVISIONS | | DRAWING NUMBER |
|-----------|------|----------------|
| NAME | DATE | |
| | | S-13 |
| | | |
| | | |
| | | |
| | | |