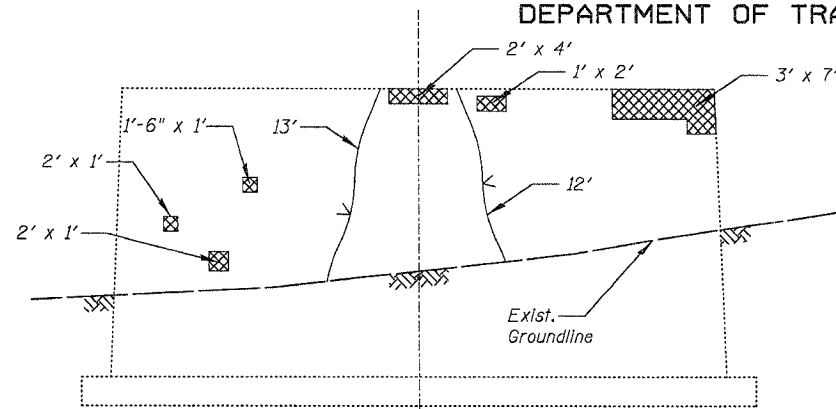


STATE OF ILLINOIS
DEPARTMENT OF TRANSPORTATION

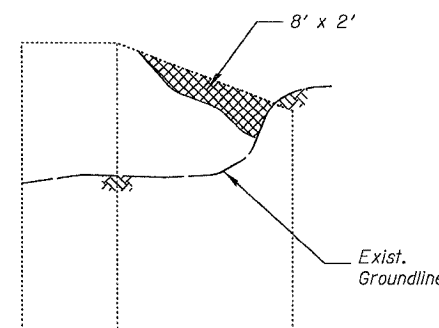
ROUTE NO.	SECTION	COUNTY	TOTAL SHEETS	SHEET NO.
FAP RT.308	109 BR-3	Whiteside	47	39

Contract # 64829

Sheet 10 of 12



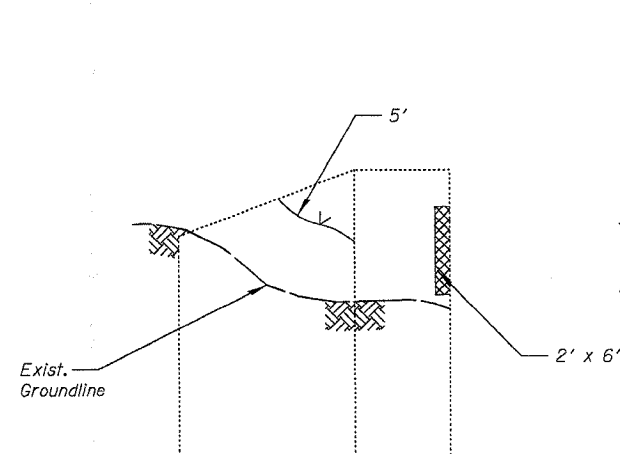
NORTH ABUTMENT ELEVATION



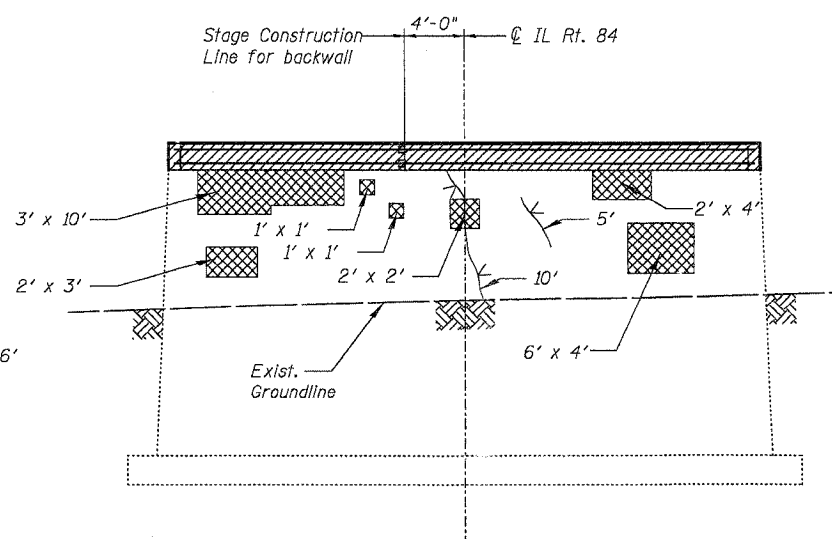
NORTHEAST WINGWALL ELEVATION

**SUBSTRUCTURE
BILL OF MATERIAL**

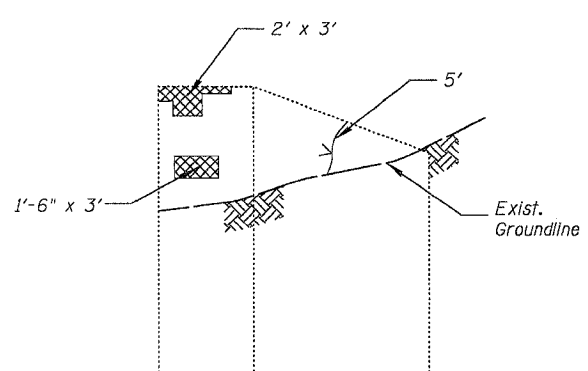
Item	Unit	Quantity
Formed Concrete Repair (Depth Less than or Equal to 5 in)	Sq. Ft.	205
Epoxy Crack Sealing	Foot	50



SOUTHEAST WINGWALL ELEVATION



SOUTH ABUTMENT ELEVATION


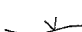



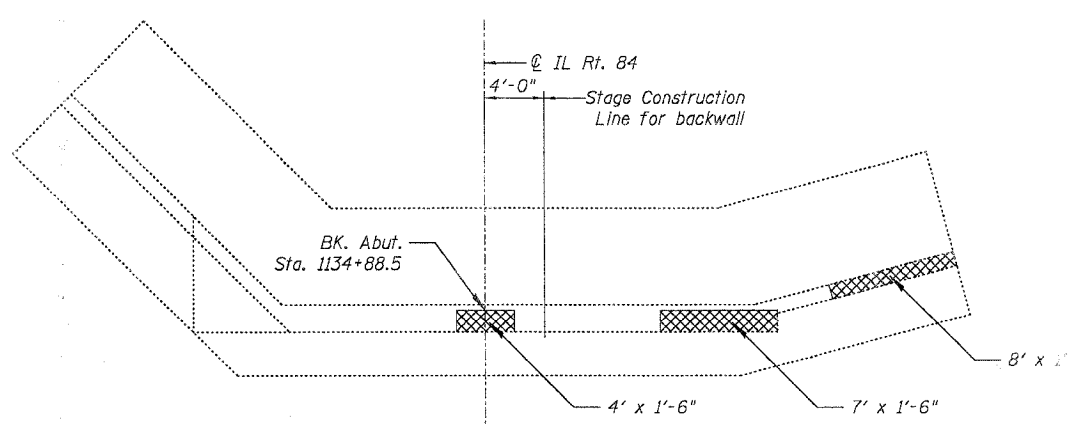
SOUTHWEST WINGWALL ELEVATION

NOTES:

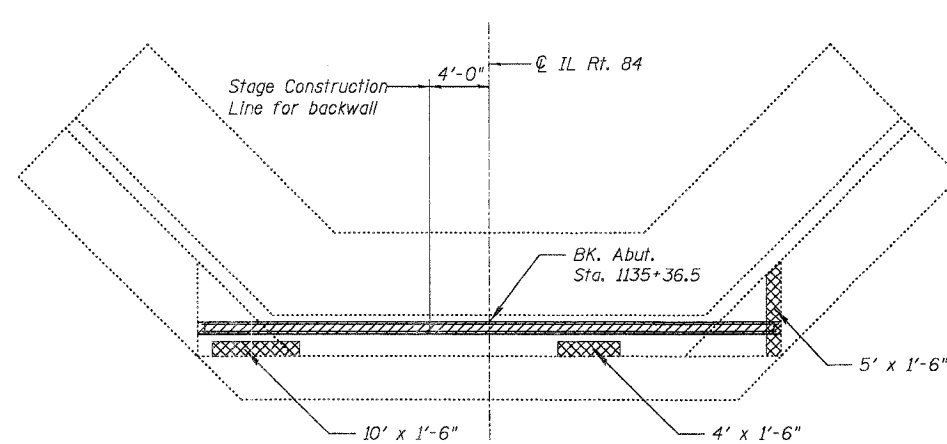
When removing concrete backwall, preserve and protect existing vertical bars. This work shall be included in Concrete Removal. Work this sheet with Sheet 4.

LEGEND

-  Formed Concrete Repair (Depth Less than or Equal to 5 In)
-  Epoxy Crack Sealing
-  Concrete Removal and Concrete Superstructure (See sheet 3 for quantities and sheets 3 & 4 for proposed backwall details)



**PLAN
NORTH ABUTMENT**



**PLAN
SOUTH ABUTMENT**

DESIGNED	MGH
CHECKED	RGD
DRAWN	MDJ
CHECKED	NRF



**SUBSTRUCTURE
IL. RT. 84
OVER CEDAR CREEK
F.A.P. ROUTE 308 - SECTION 109 BR-3
WHITESIDE COUNTY
STA. 225+65.77
SN 098-U022**