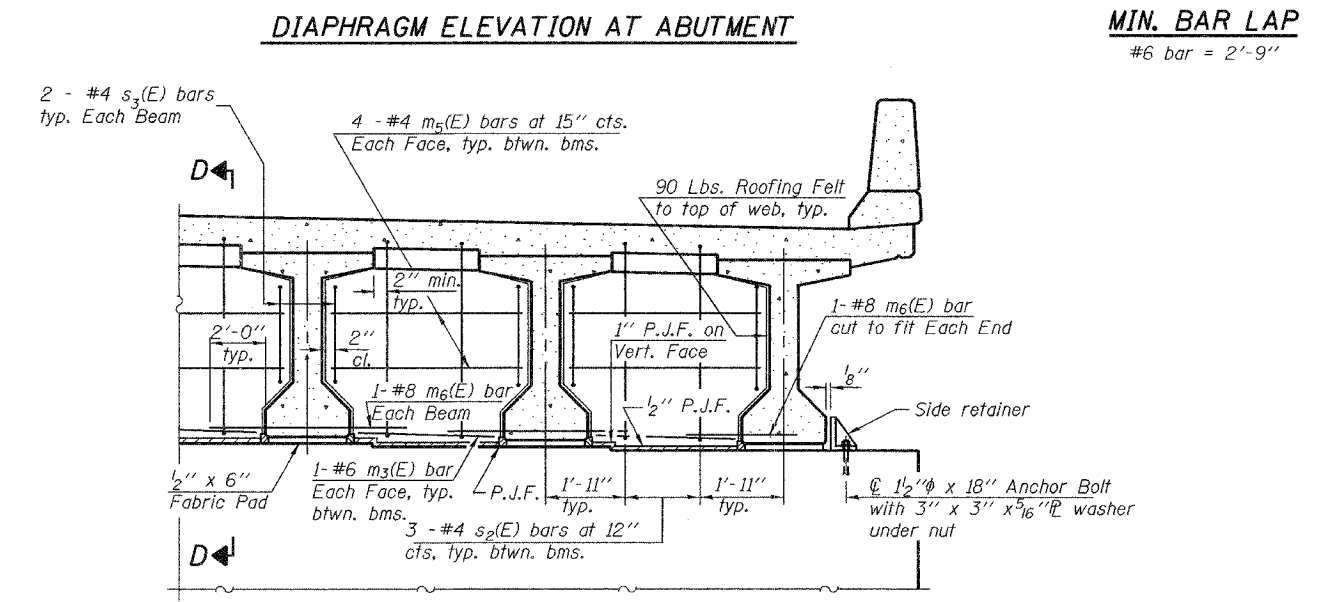
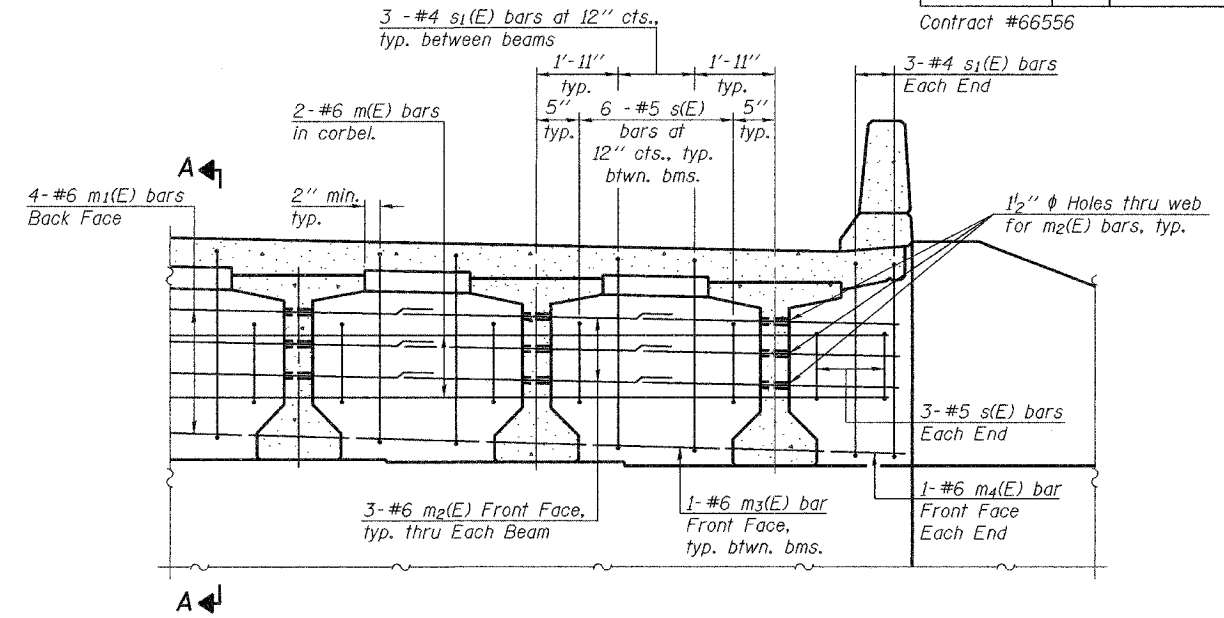
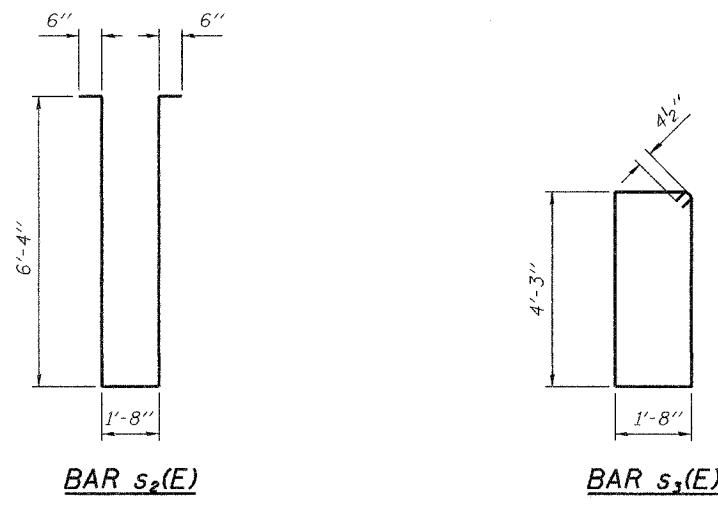
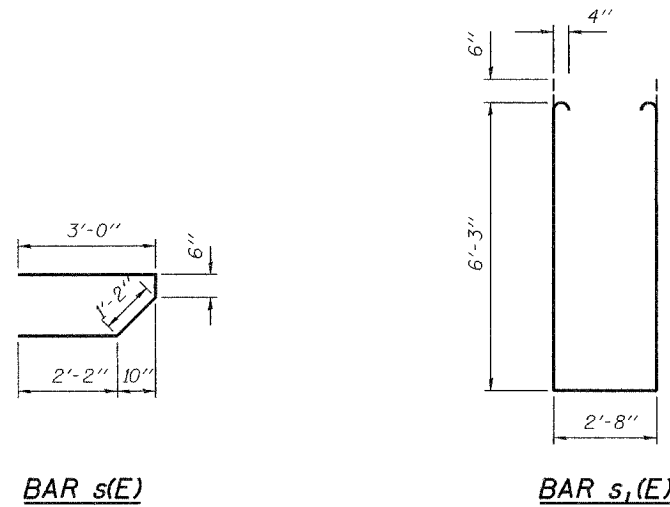


STATE OF ILLINOIS
DEPARTMENT OF TRANSPORTATION

ROUTE NO.	SECTION	COUNTY	TOTAL SHEETS	SHEET NO.
F.A.P. 627	(I)BR	LASALLE	69	25
FED. ROAD DIST. NO. 7		ILLINOIS	FED. AID PROJECT	

Contract #66556

SHEET NO. 8
31 SHEETS



MIN. BAR LAP
#6 bar = 2'-9"

Notes:
 Reinforcement bars in diaphragm are billed with superstructure on sheet 7 of 31.
 Concrete in diaphragm is included with Concrete Superstructure on sheet 7 of 31.
 See sheet 9 of 31 for Sections A-A and D-D.
 Cost of 90 Lb. roofing felt is included with Concrete Superstructure.
 The side retainer shall be galvanized after shop fabrication according to AASHTO M 111 and ASTM A 385. Cost of side retainer and anchor bolts shall be included with Concrete Structures.
 See sheet 17 of 31 for anchor bolt details.

DESIGNED	M.D.S.	EXAMINED	February 3, 2006
CHECKED	S.M.R.	PASSED	<i>Thomas J. Domagalaki</i> ENGINEER OF BRIDGE DESIGN
DRAWN	W.D.C.		<i>Ralph E. Anderson</i> ENGINEER OF BRIDGES AND STRUCTURES
CHECKED	M.D.S./S.M.R.		

DIAPHRAGM DETAILS
 F.A.P. ROUTE 627 - SECTION (I)BR
 LASALLE COUNTY
 STATION 26+61.50
 STRUCTURE NO. 050-0242