

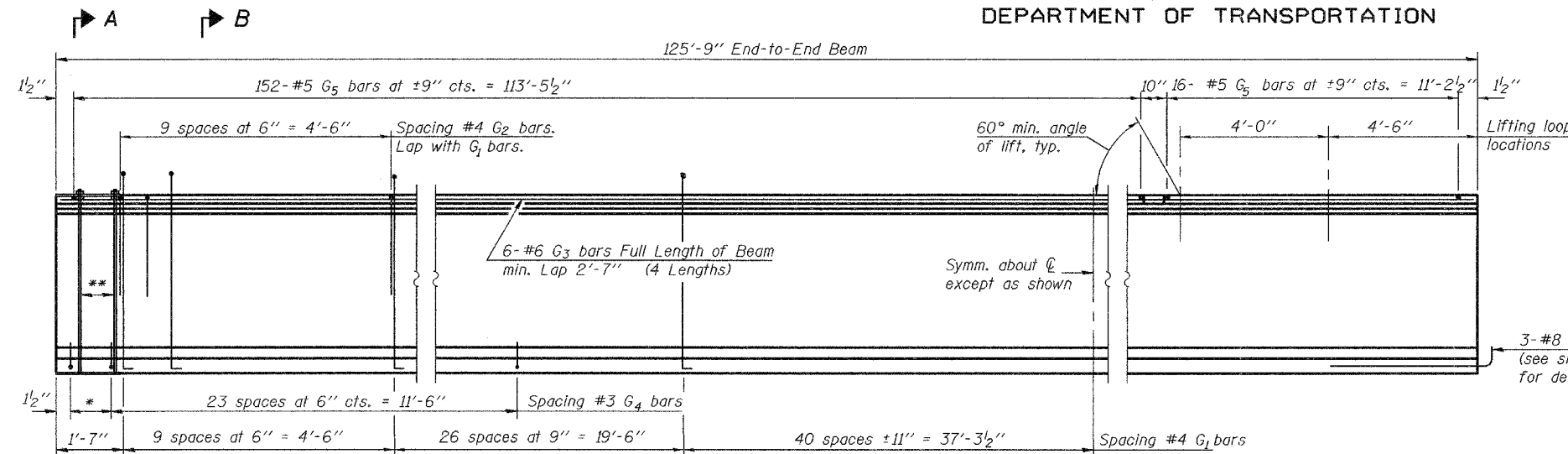
STATE OF ILLINOIS
DEPARTMENT OF TRANSPORTATION

ROUTE NO.	SECTION	COUNTY	SHEETS	SHEET NO.
F.A.P. 627	(1)BR	LASALLE	69	30
FED. ROAD DIST. NO. 7		ILLINOIS	FED. AID PROJECT	

Contract #66556

SHEET NO. 13

31 SHEETS

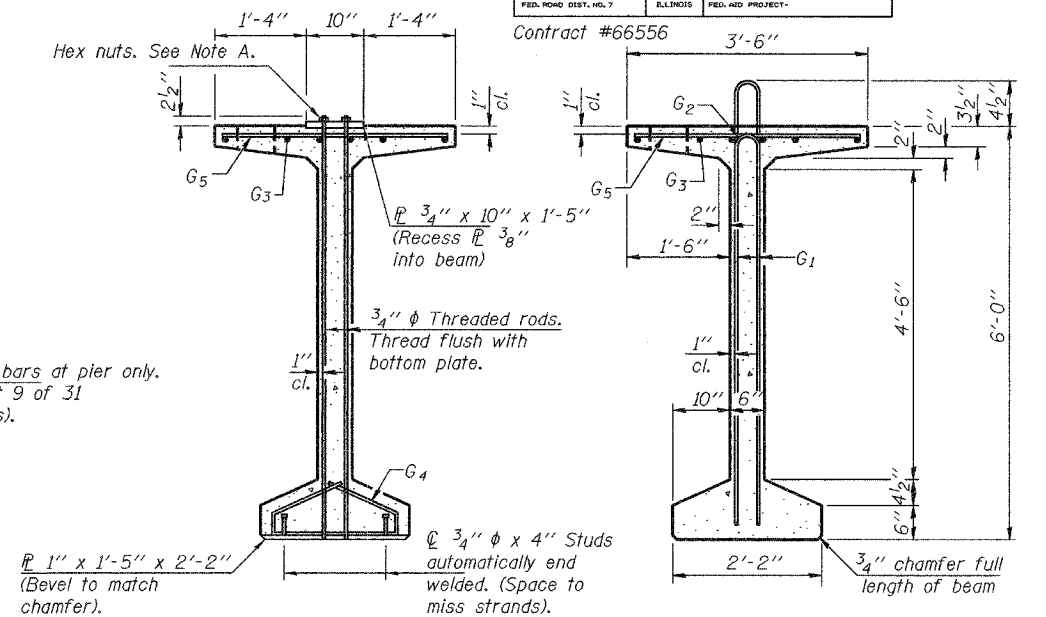


ELEVATION OF BEAM
(Showing Reinforcement & Dimensions)

* 4 spaces at 3 1/4" = 1'-1"
** 5-3/4" φ threaded dowel rods at 3 1/4" cts. each face

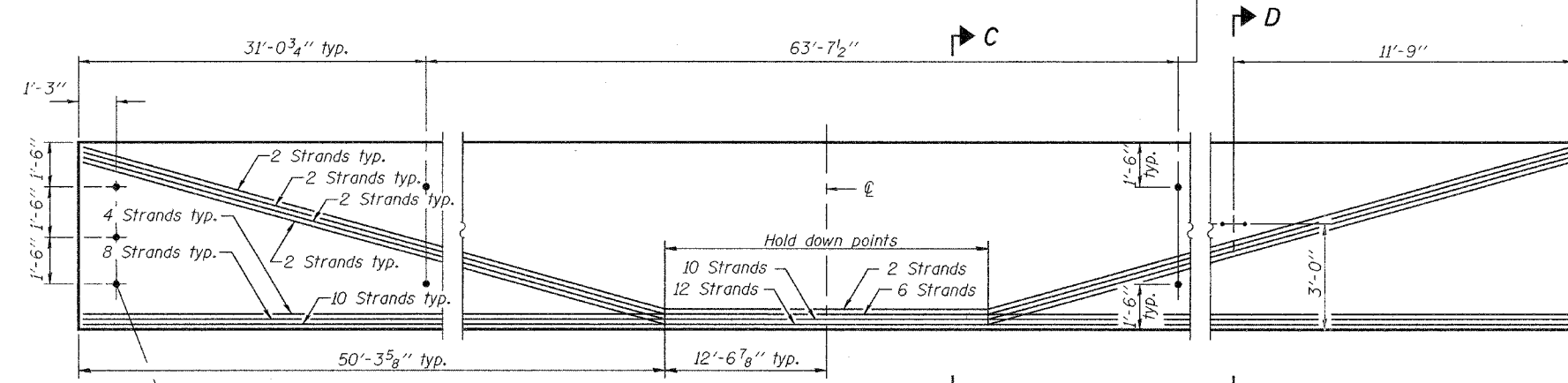
Note A:
Hex nuts (top and bottom) with lock washers (top). Only tighten sufficiently to compress lock washers.

⊕ inserts for temporary bracing See sheet 12 of 31 for details



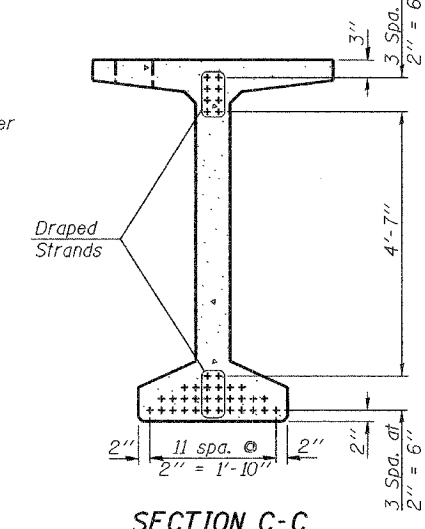
SECTION A-A

SECTION B-B



ELEVATION OF BEAM
(Showing Prestressing Steel)

⊕ inserts for 3/4" φ stud bolts and ⊕ hole in top flange for Drainage Scupper (Beams 1 & 6 only outside face of beam only)



SECTION C-C

**BAR LIST
ONE BEAM ONLY*****

Bar No.	Size	Length	Shape
G1	#4	13'-5"	⊏
G2	#4	7'-0"	⊏
G3	#6	33'-4"	—
G4	#3	4'-11"	⊏
G5	#5	3'-4"	—
G6	#8	3'-9"	⊏

***For information only
Notes:
See sheet 16 of 31 for additional details and Bill of Material.
Required release strength, f'ci, shall be 5,000 psi.
For section D-D See sheet 16 of 31.

DESIGNED	M.D.S.
CHECKED	S.M.R.
DRAWN	W.D.C.
CHECKED	M.D.S./S.M.R.

February 3, 2006
EXAMINED *Thomas J. Domagala*
PASSED *Ralph E. Anderson*
ENGINEER OF BRIDGE DESIGN
ENGINEER OF BRIDGES AND STRUCTURES

**72" PPC BULB T-BEAM (SPAN 1)
F.A.P. ROUTE 627 - SECTION (1)BR
LASALLE COUNTY
STATION 26+61.50
STRUCTURE NO. 050-0242**