

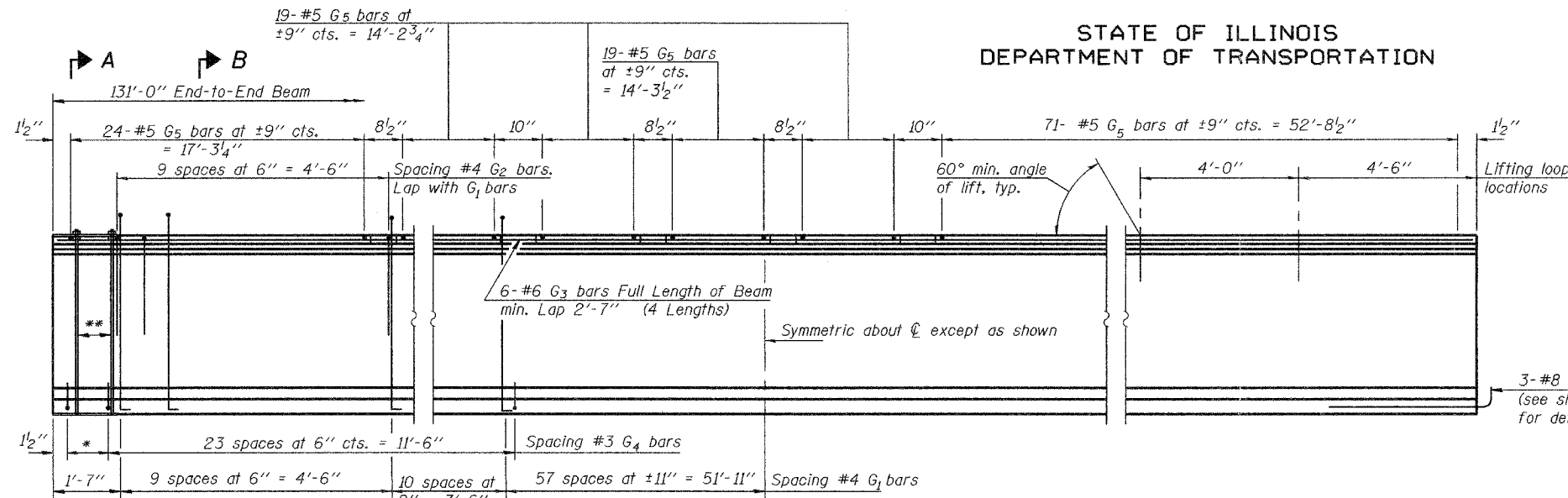
STATE OF ILLINOIS  
DEPARTMENT OF TRANSPORTATION

ROUTE NO.	SECTION	COUNTY	SHEETS	SHEET NO.
F.A.P. 627	(I)BR	LASALLE	69	31
FED. ROAD DIST. NO. 7		ILLINOIS	FED. AID PROJECT	

Contract #66556

SHEET NO. 14

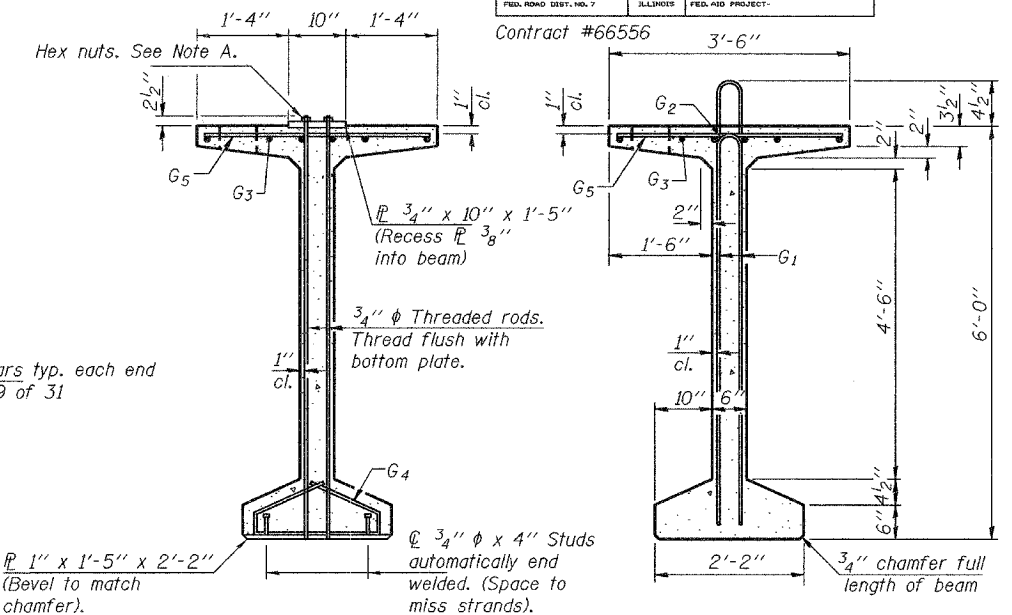
31 SHEETS



**ELEVATION OF BEAM**  
(Showing Reinforcement & Dimensions)

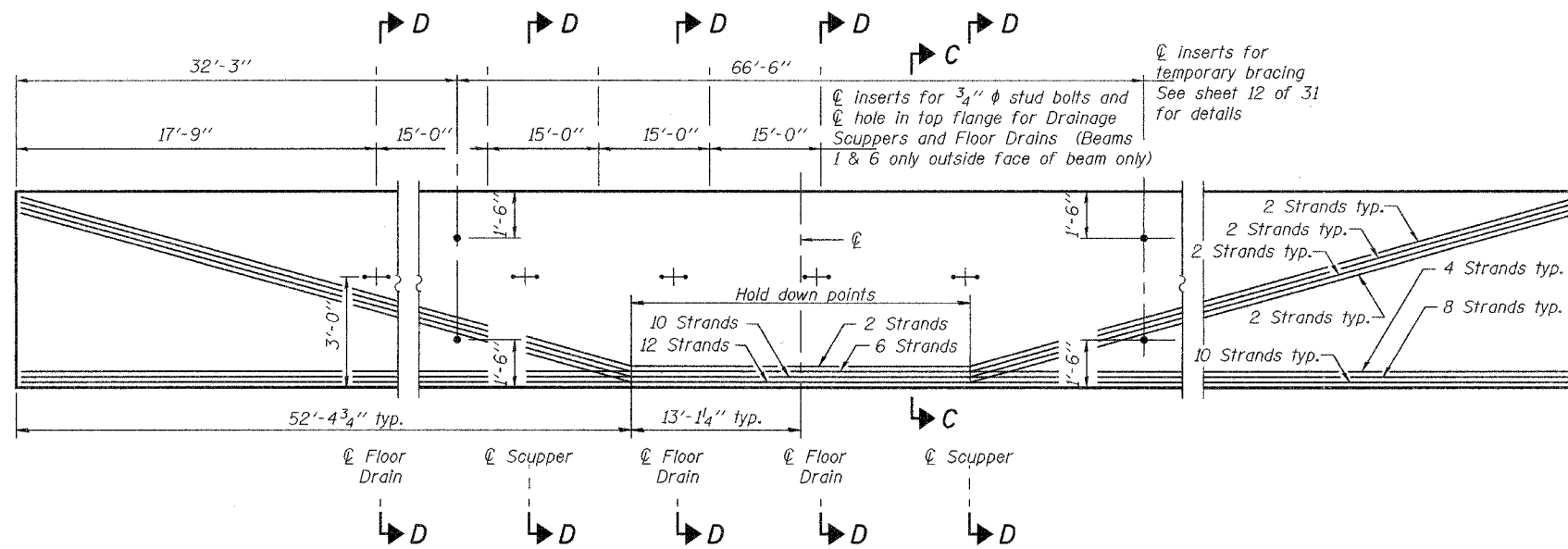
\* 4 spaces at 3 1/4" = 1'-1"  
\*\* 5-3/4" φ threaded dowel rods at 3 1/4" cts. each face

Note A:  
Hex nuts (top and bottom) with lock washers (top). Only tighten sufficiently to compress lock washers.

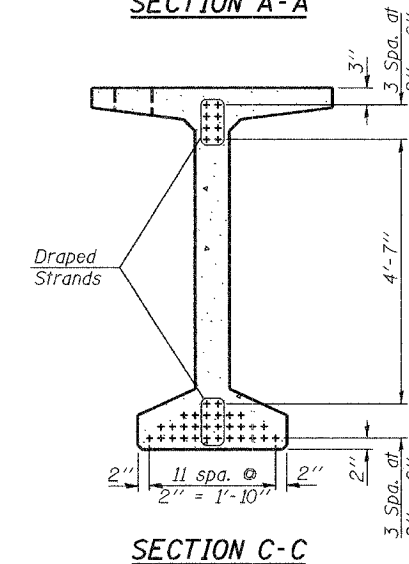


**SECTION A-A**

**SECTION B-B**



**ELEVATION OF BEAM**  
(Showing Prestressing Steel)



**SECTION C-C**

**BAR LIST  
ONE BEAM ONLY\*\*\***

Bar	No.	Size	Length	Shape
G1	153	#4	13'-5"	⊏
G2	20	#4	7'-0"	⊏
G3	24	#6	34'-8"	—
G4	56	#3	4'-11"	⊏
G5	171	#5	3'-4"	—
G6	6	#8	3'-9"	—

\*\*\*For information only  
Notes:  
See sheet 16 of 31 for additional details and Bill of Material.  
Required release strength, f'cl, shall be 5,000 psi.  
For section D-D, See sheet 16 of 31.

DESIGNED	M.D.S.
CHECKED	S.M.R.
DRAWN	W.D.C.
CHECKED	M.D.S./S.M.R.

February 3, 2006  
EXAMINED *Thomas J. Domagala*  
PASSED *Ralph E. Anderson*  
ENGINEER OF BRIDGE DESIGN  
ENGINEER OF BRIDGES AND STRUCTURES

**72" PPC BULB T-BEAM (SPAN 2)**  
**F.A.P. ROUTE 627 - SECTION (I)BR**  
**LASALLE COUNTY**  
**STATION 26+61.50**  
**STRUCTURE NO. 050-0242**