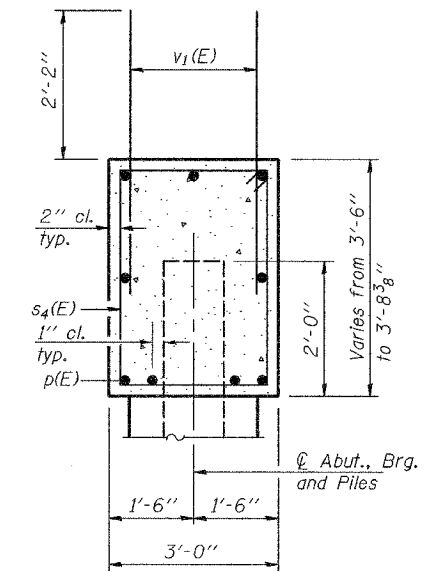
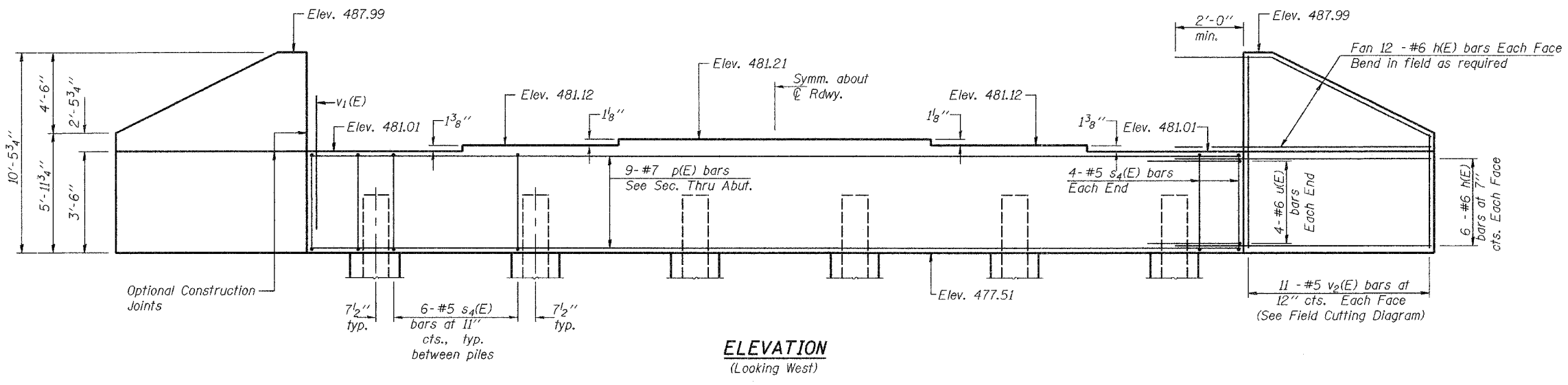


STATE OF ILLINOIS
DEPARTMENT OF TRANSPORTATION

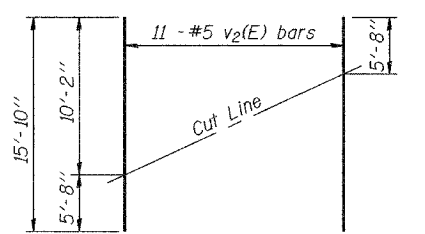
ROUTE NO.	SECTION	COUNTY	SHEET NO.	SHEET	SHEET NO.
F.A.P. 627	(1)BR	LASALLE	69	35	18
FED. ROAD DIST. NO. 7		ILLINOIS	FED. AID PROJECT		31 SHEETS

Contract #66556

Notes: Four steps monolithically with cap.
Reinforcement bars designated (E)
shall be epoxy coated.



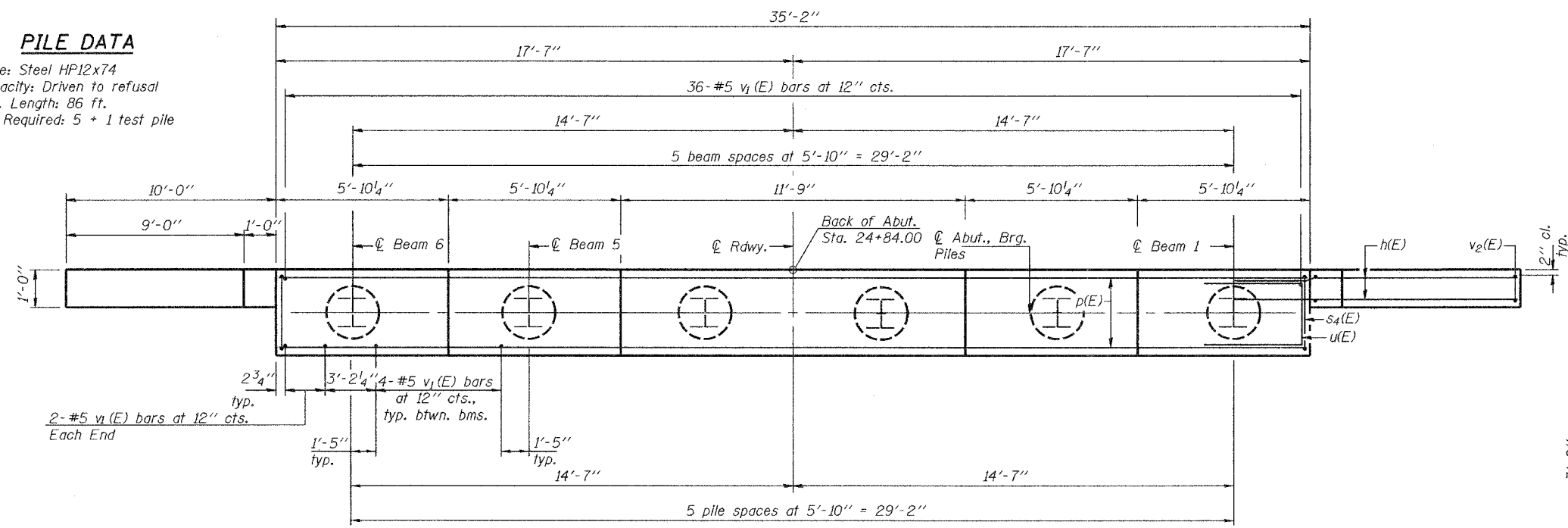
SEC. THRU ABUT.



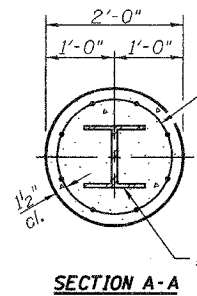
FIELD CUTTING DIAGRAM
Order v2(E) full length. Cut as shown and use remainder of bars in opposite face.

PILE DATA

Type: Steel HP12x74
Capacity: Driven to refusal
Est. Length: 86 ft.
No. Required: 5 + 1 test pile

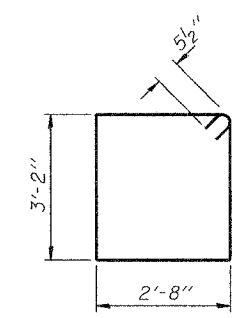
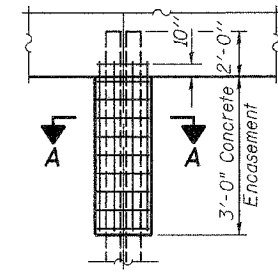


PLAN

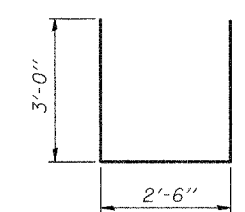


Welded wire fabric
6x6-W4.0xW4.0
weighing 58#/100 sq. ft.
The cost of Excavation,
Concrete Encasement and
Reinforcement is included
with Furnishing Piles.
Forms for Encasement may
be omitted when soil
conditions permit.

PILE ENCASEMENT DETAIL



BAR s4(E)



BAR u(E)

BILL OF MATERIAL

Bar No.	Size	Length	Shape
h(E)	#6	13'-0"	
p(E)	#7	34'-11"	
s4(E)	#5	12'-7"	
u(E)	#6	8'-6"	
v1(E)	#5	4'-4"	
v2(E)	#5	15'-10"	
Concrete Structures	Cu. Yd.	20.3	
Reinforcement Bars, Epoxy Coated	Pound	3,280	
Structure Excavation	Cu. Yd.	45	
Driving Steel Piles	Foot	430	
Test Pile Steel HP12x74	Each	1	
Furnishing Steel Piles HP12x74	Foot	430	

WEST ABUTMENT
F.A.P. ROUTE 627 - SECTION (1)BR
LASALLE COUNTY
STATION 26+61.50
STRUCTURE NO. 050-0242

DESIGNED	M.D.S.
CHECKED	S.M.R.
DRAWN	W.D.C.
CHECKED	M.D.S./S.M.R.

February 3, 2006
EXAMINED *Thomas J. Danagalek*
ENGINEER OF BRIDGE DESIGN
PASSED *Ralph E. Anderson*
ENGINEER OF BRIDGES AND STRUCTURES