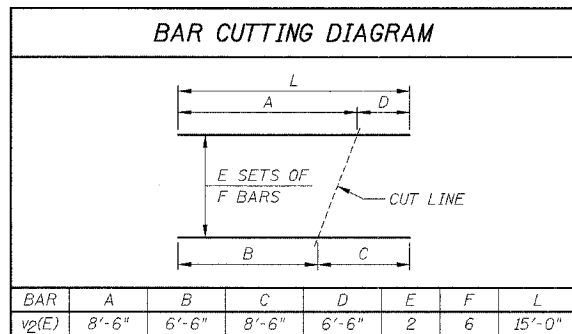
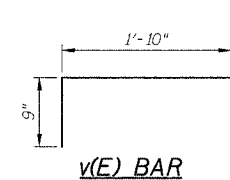
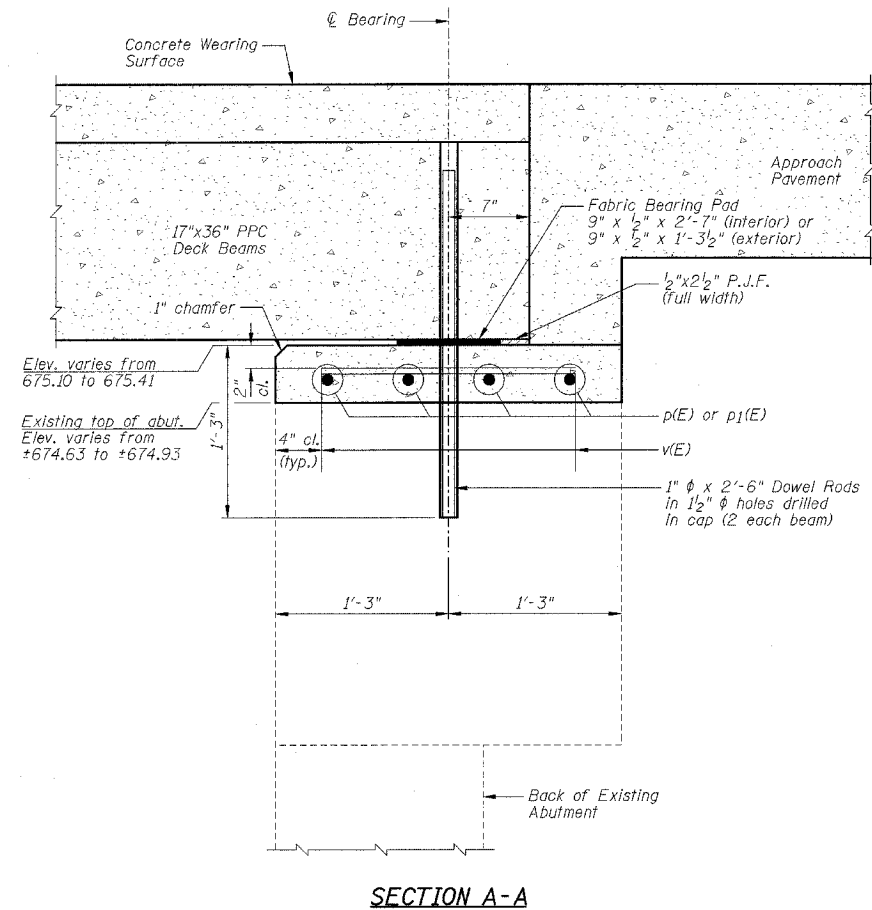
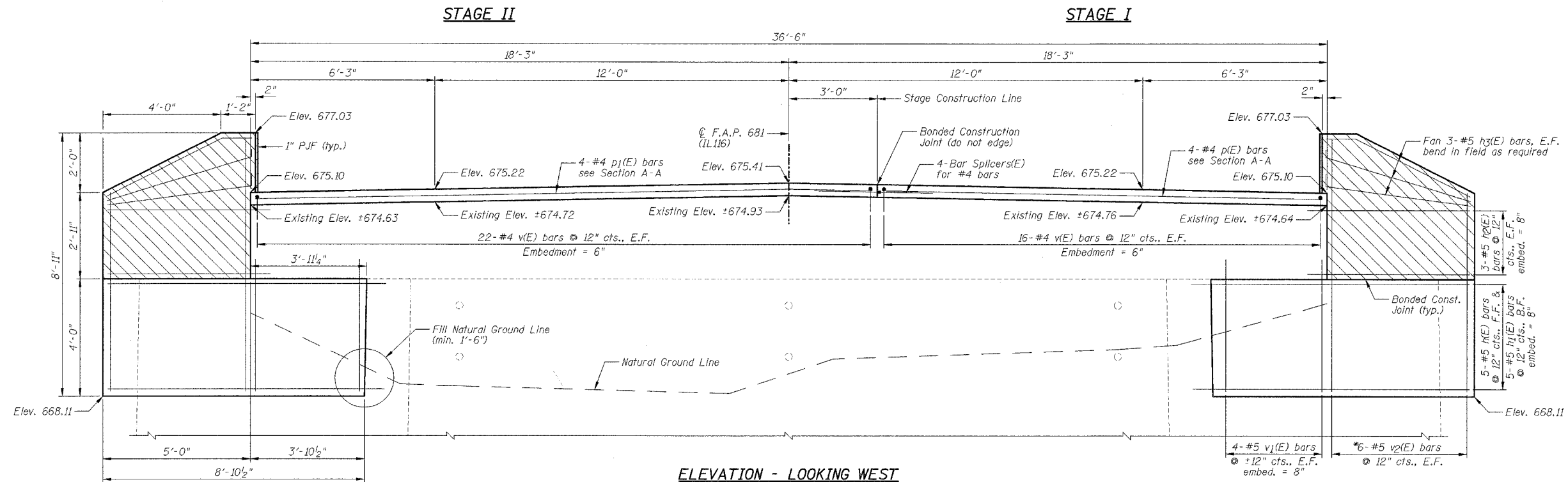


STATE OF ILLINOIS  
DEPARTMENT OF TRANSPORTATION

|                     |          |                  |              |           |
|---------------------|----------|------------------|--------------|-----------|
| F.A.P. R.T.E.       | SECTION  | COUNTY           | TOTAL SHEETS | SHEET NO. |
| 681                 | 113BR-2  | LIVINGSTON       | 47           | 25        |
| STA.                | TO STA.  |                  |              |           |
| FED. ROAD DIST. NO. | ILLINOIS | FED. AID PROJECT |              |           |

SHEET NO. B13  
OF 31 SHEETS



**WEST ABUTMENT  
BILL OF MATERIAL**

| Bar   | No. | Size | Length  | Shape |
|-------|-----|------|---------|-------|
| h(E)  | 10  | #5   | 9'-5"   | ---   |
| h1(E) | 10  | #5   | 8'-6"   | ---   |
| h2(E) | 12  | #5   | 5'-6"   | ---   |
| h3(E) | 12  | #5   | 4'-10"  | ---   |
| p(E)  | 4   | #4   | 14'-11" | ---   |
| p1(E) | 4   | #4   | 20'-11" | ---   |
| v(E)  | 76  | #4   | 2'-7"   | ---   |
| v1(E) | 16  | #5   | 4'-5"   | ---   |
| v2(E) | 12  | #5   | 15'-0"  | ---   |

| Item  | Unit  | Quantity |
|---|-------|----------|
| Concrete Removal  | Cu Yd | 2.7      |
| Concrete Structures                                     | Cu Yd | 5.8      |
| Formed Concrete Repair (Depth Equal To Or Less Than 5") | Sq Ft | 8.8      |
| Formed Concrete Repair (Depth Greater Than 5")          | Sq Ft | 6.3      |
| Reinforcement Bars, Epoxy Coated                        | Pound | 810      |
| Epoxy Crack Sealing                                     | Foot  | 3        |
| Geocomposite Wall Drain                                 | Sq Yd | 15       |
| Pipe Underdrains For Structures 4"                      | Foot  | 70       |
| Bar Splicers  | Each  | 4        |

**NOTES:**

- 1.) Work this sheet with Sheets B11 & B12.
- 2.) See Sheet B12 for location of Section A-A.
- 3.) Hatched area to be poured after beams are in place.
- 4.) E.F. denotes Each Face, F.F. denotes Front Face & B.F. denotes Back Face.
- 5.) See Sheet B5 for Bar Splicer Details.
- 6.) Reinforcement bars designated (E) shall be epoxy coated.
- 7.) Drill & epoxy grout h(E), h1(E), h2(E) & v1(E) bars in 8" (min.) drilled holes and v(E) bars in 6" (min.) drilled holes according to Section 584 of the Standard Specifications.
- 8.) The type of epoxy grout shall be approved by the Engineer.
- 9.) Space reinforcement in cap to miss dowel anchor hole locations.

| REVISIONS |      | ILLINOIS DEPARTMENT OF TRANSPORTATION<br>WEST ABUTMENT<br>F.A.P. 681 (IL116) OVER FELKY SLOUGH<br>SECTION 113BR-2<br>LIVINGSTON COUNTY<br>STATION 436+75.00<br>STRUCTURE NO. 053-0075 |
|-----------|------|---|
| NAME      | DATE |   |
|           |      | DESIGNED BY: JML<br>DATE: 12/09/05  |
|           |      | DRAWN BY: DJM<br>CHECKED BY: MSW  |