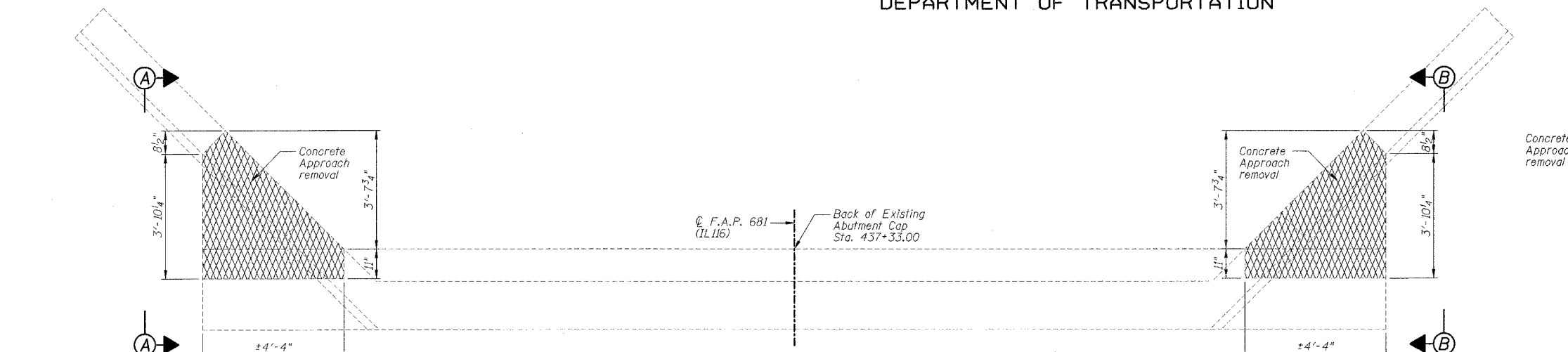
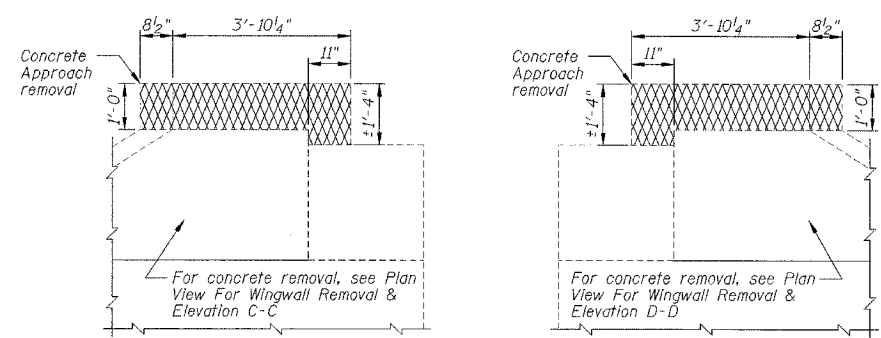


F.A.P. RTE.	SECTION	COUNTY	TOTAL SHEETS	SHEET NO.
681	113BR-2	LIVINGSTON	47	26
STA.	TO STA.			
FED. ROAD DIST. NO.	ILLINOIS	FED. AID PROJECT		

STATE OF ILLINOIS
DEPARTMENT OF TRANSPORTATION

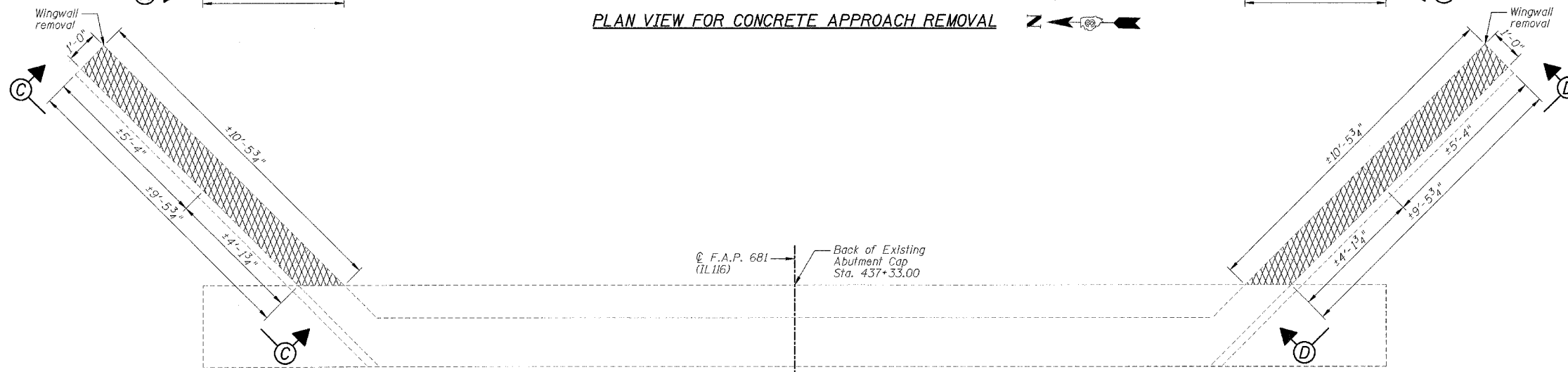


PLAN VIEW FOR CONCRETE APPROACH REMOVAL

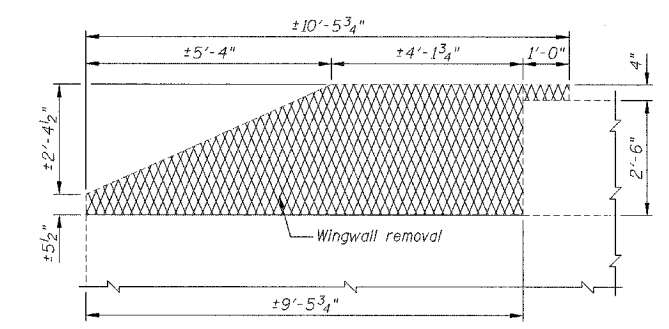


ELEVATION A-A

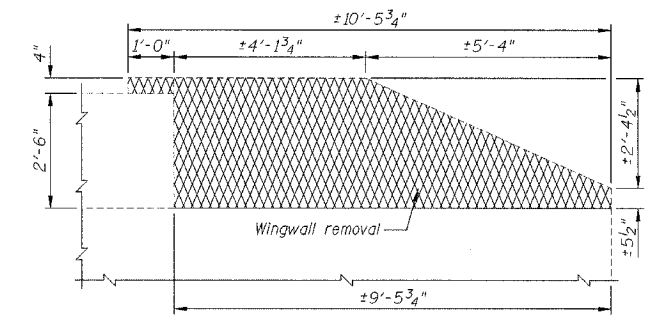
ELEVATION B-B



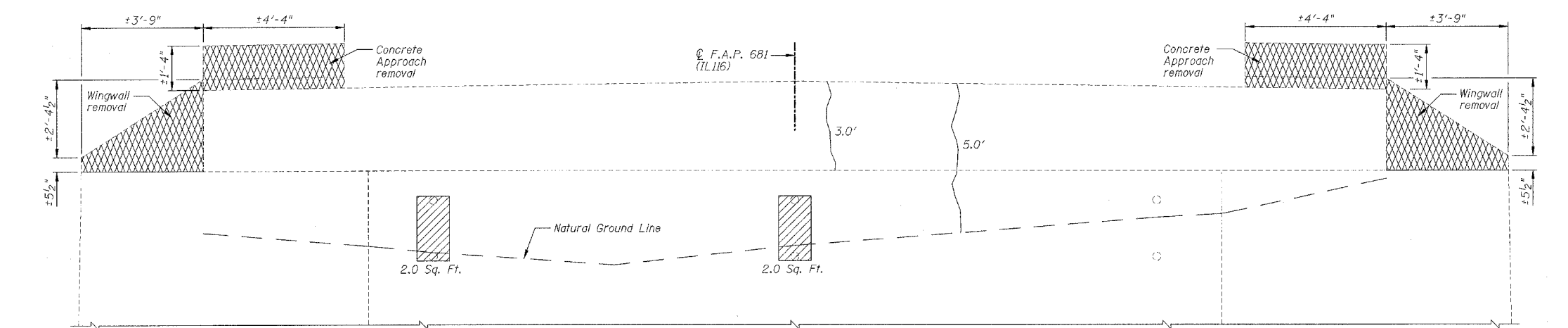
PLAN VIEW FOR WINGWALL REMOVAL



ELEVATION C-C

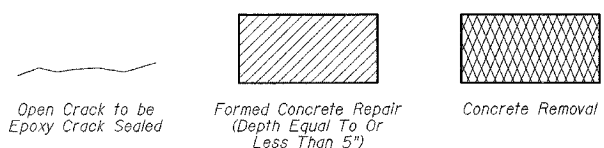


ELEVATION D-D



ELEVATION - LOOKING EAST

- NOTES:**
- 1) Work this sheet with Sheets B15 & B16.
 - 2) The number next to the hatched areas is the square footage of each damaged area.
 - 3) The number next to the cracks is the length of the crack.
 - 4) Existing reinforcement not extending into new concrete shall be cut off flush and sealed with epoxy.



REVISIONS	
NAME	DATE

ILLINOIS DEPARTMENT OF TRANSPORTATION
EAST ABUTMENT
CONCRETE REMOVAL AND REPAIRS
F.A.P. 681 (IL116) OVER FELKY SLOUGH
SECTION 113BR-2
LIVINGSTON COUNTY
STATION 436+75.00
STRUCTURE NO. 053-0075
DESIGNED BY: JML
DRAWN BY: DJM
DATE: 12/09/05
CHECKED BY: MSW