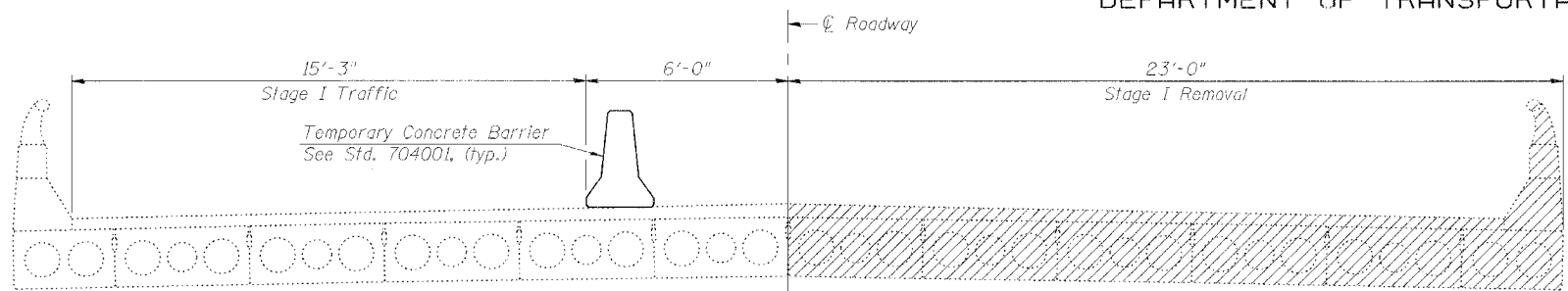


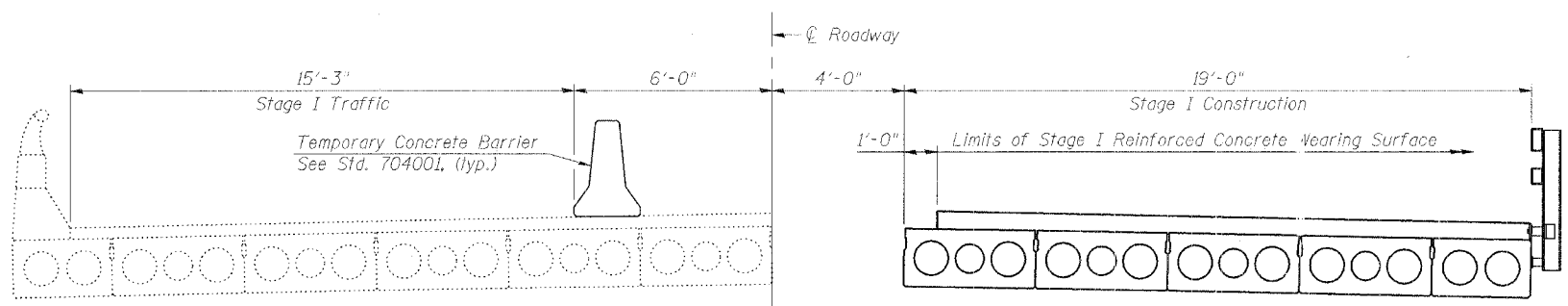
STATE OF ILLINOIS
DEPARTMENT OF TRANSPORTATION

ROUTE NO.	SECTION	COUNTY	TOTAL SHEETS	SHEET NO.	SHEET NO. 2
FAP 68	105 BR-1	LIVINGSTON	45	13	14 SHEETS
FED. ROAD DIST. NO.	ILLINOIS	FED. AID PROJECT-			

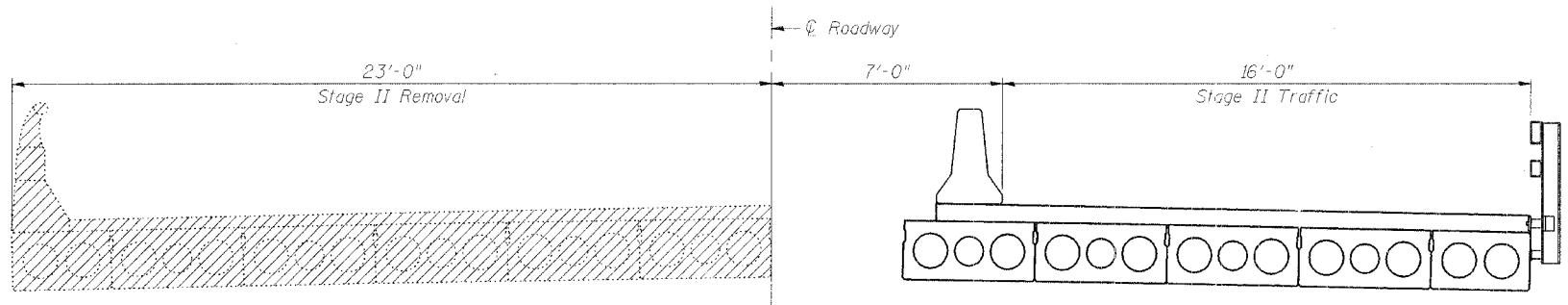
Contract #66566



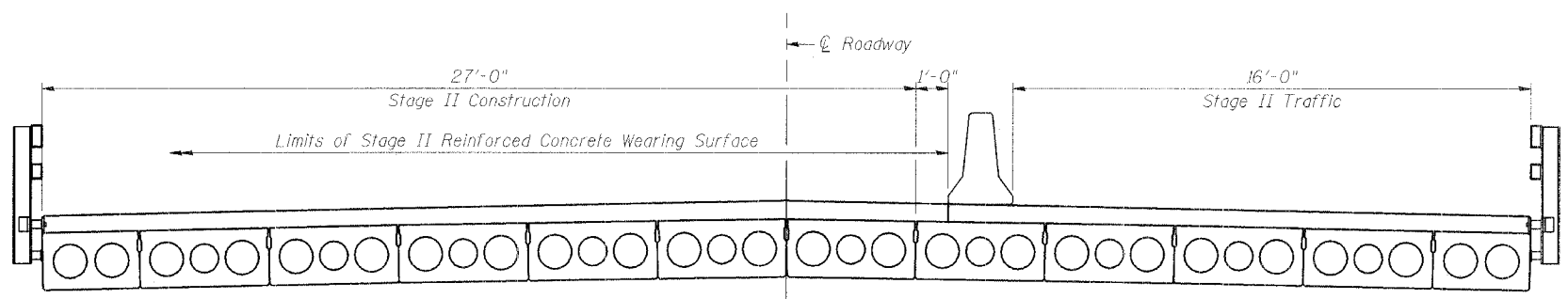
STAGE I REMOVAL



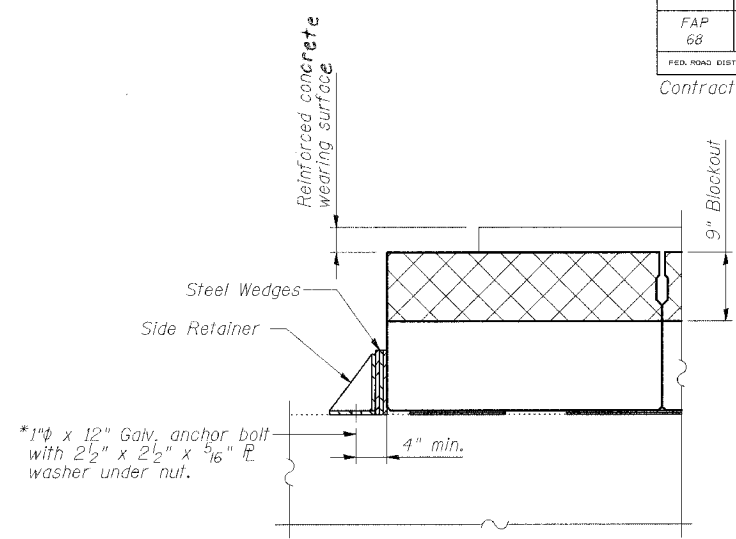
STAGE I CONSTRUCTION



STAGE II REMOVAL



STAGE II CONSTRUCTION

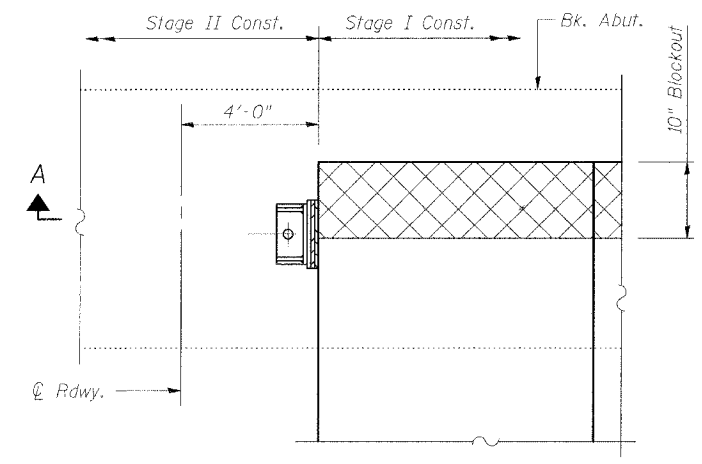


SECTION A-A

*1" x 12" Galv. anchor bolt with 2 1/2" x 2 1/2" x 5/8" P washer under nut.

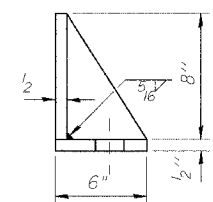
*Drill and Epoxy grout in accordance with Art. 584 of the Standard Specs.

Notes:
After block-outs are poured and cured the retainer angles shall be removed.*
Cost of side retainer and accessories are included with:
PPC Deck Beams (21").



PLAN

(Showing South Abutment)
(North Abutment similar)



SIDE RETAINER

Equivalent rolled angle with stiffeners will be allowed in lieu of welded plates.

Note:
Hatched areas indicate Removal of Existing Superstructures.
All cross-sections are looking South.
All dimensions are at right angles to C Roadway.
For quantity of Temporary Concrete Barrier, see Roadway Plans.

ILLINOIS DEPARTMENT OF TRANSPORTATION
STAGE CONSTRUCTION DETAILS

FAP RTE 68 (IL 23) OVER WOLF CREEK
SECTION 105 BR-1
LIVINGSTON COUNTY
STATION 586+62
S.N. 053-0148

DRAWN BY: LANDREY
DESIGNED BY: SANFORD
CHECKED BY: TRELLO

REVISIONS	
NAME	DATE

GREENE & BRADFORD, INC.
CONSULTING ENGINEERS
1471 733-4414, 1471 733-1471, P.O. Box 1000, Springfield, IL 62763

COMPUTER FILE NO.
SN053-0148_STG
PROJECT 03236 W0-11
12/16/05-MML

FILE NAME = I:\03236\W0-11\03236-W0-11-053-0148-STG.dgn
PLOT DATE = 12/16/2005
PLOT TIME = 10:41:23 AM
OPERATOR = michellel