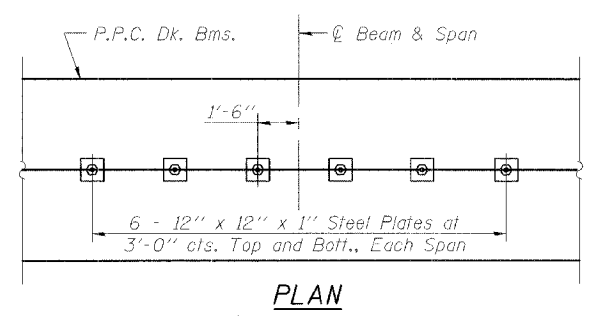
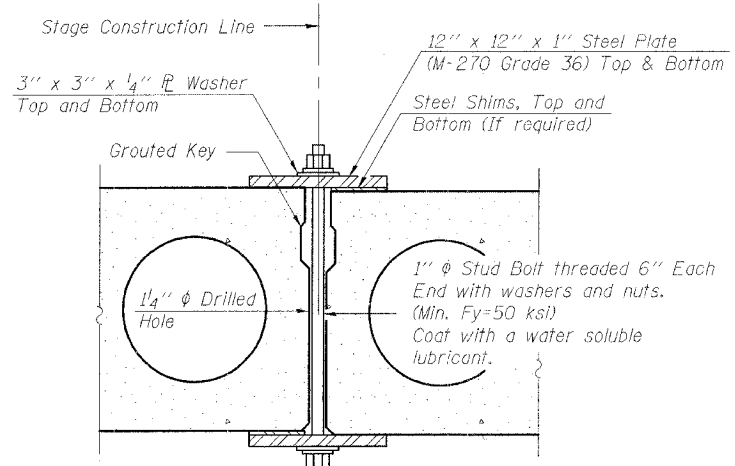


STATE OF ILLINOIS  
DEPARTMENT OF TRANSPORTATION

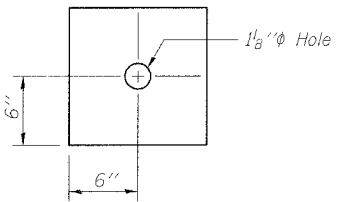
ROUTE NO.	SECTION	COUNTY	STATE SHEETS	SHEET NO.	SHEET NO. 8 14 SHEETS
FAP 68	105 BR-1	LIVINGSTON	45	19	
FED. ROAD DIST. NO.		ILLINOIS	FED. AID PROJECT		



PLAN



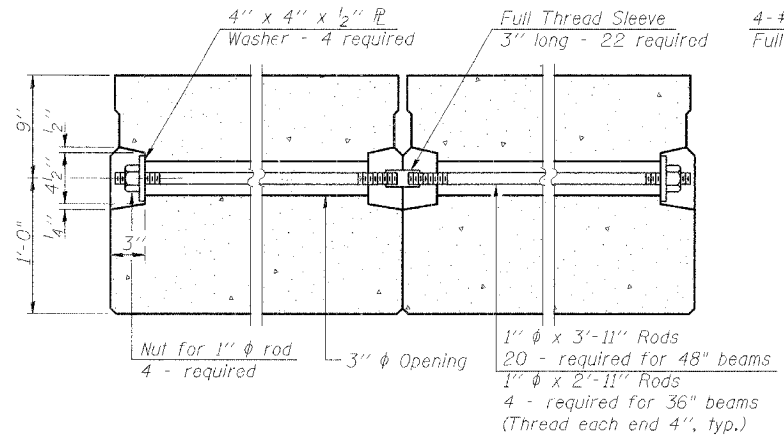
SECTION



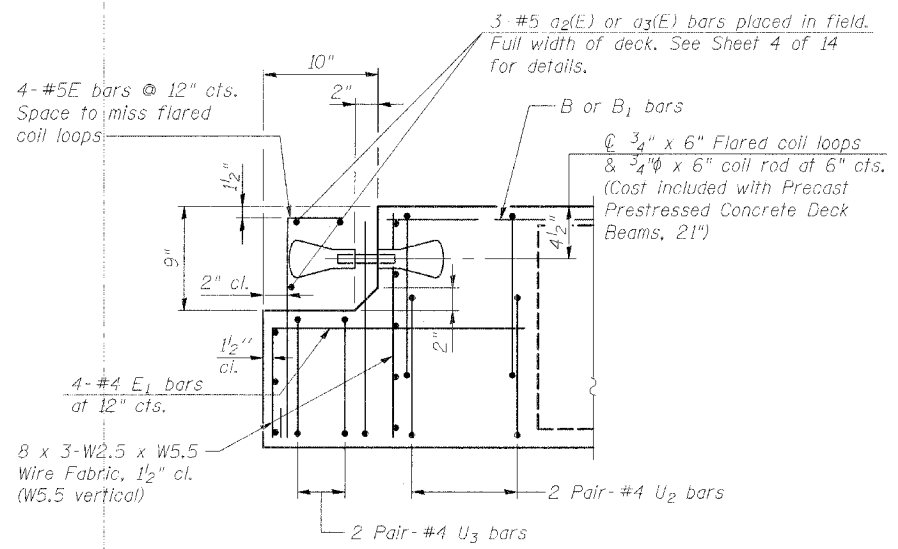
CLAMPING PLATE

SHEAR KEY CLAMPING DETAILS AT STAGE CONST. JT.

See Special Provisions for Stage Construction of Precast Prestressed Concrete Deck Beams.  
Cost included with Precast Prestressed Concrete Deck Beams, 21".  
See Stage Construction Details for traffic lanes.



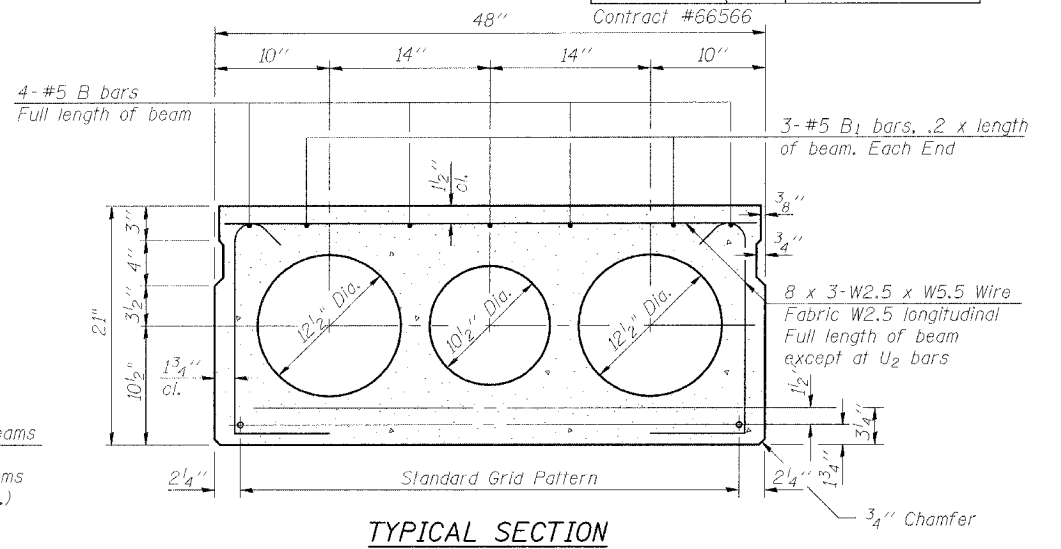
TYPICAL TRANSVERSE TIE ASSEMBLY



END OF INTERIOR BEAMS (EXP. END)

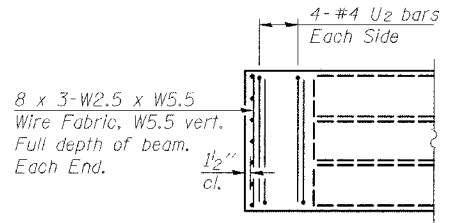
(Dimensions are at Rt. L's)

Note:  
Work this sheet with Sheet 7 of 14.

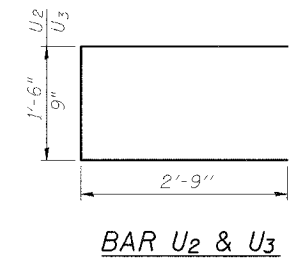


TYPICAL SECTION

Note:  
Place strands symmetrically about  $\phi$  of beam.



END PLAN (INTERIOR BEAMS) (Fixed)



BAR U2 & U3

BILL OF MATERIAL INTERIOR BEAMS

Bar	No.	Size	Length	Shape
Precast Prestressed Conc. Deck Bms. (21")			Sq. Ft.	3485

ILLINOIS DEPARTMENT OF TRANSPORTATION  
SUPERSTRUCTURE DETAILS

FAP RTE 68 (IL 23) OVER WOLF CREEK  
SECTION 105 BR-1  
LIVINGSTON COUNTY  
STATION 586+62  
S.N. 053-0148

SCALE: VERT. HORIZ. DATE: 9/6/05	DRAWN BY: LANDREY DESIGNED BY: SANFORD CHECKED BY: TRELLO	COMPUTER FILE NO. SN053-0148.SS3 PROJECT 03236 W0-11 12/16/05-MML
----------------------------------	---	---

REVISIONS	
NAME	DATE

GREENE & BRADFORD, INC.  
OF SPRINGFIELD  
CONSULTING ENGINEERS  
STRUCTURAL ENGINEERS  
PROFESSIONAL DESIGN FIRM NO. 00000000  
PROFESSIONAL ENGINEERS AND ARCHITECTS  
CORPORATION

FILE NAME = I:\03236\work\drawing\sn053-0148\SS3.dgn  
PLOT SCALE = 1/8"=1'-0"  
PLOT DATE = 12/16/2005  
PLOT TIME = 10:41:20 AM  
OPERATOR = mchellel