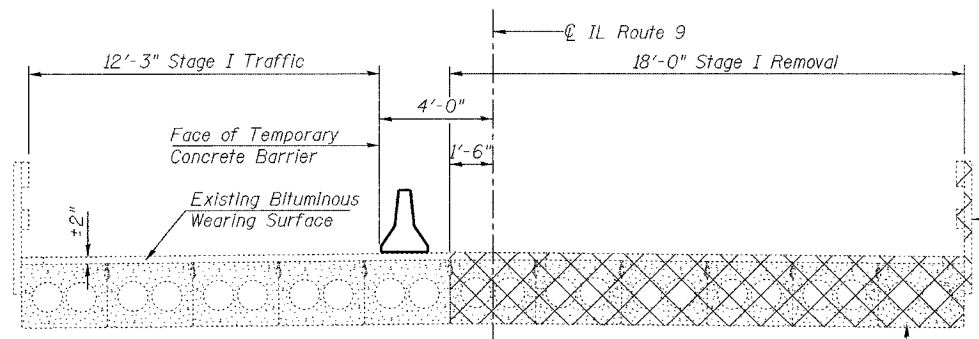
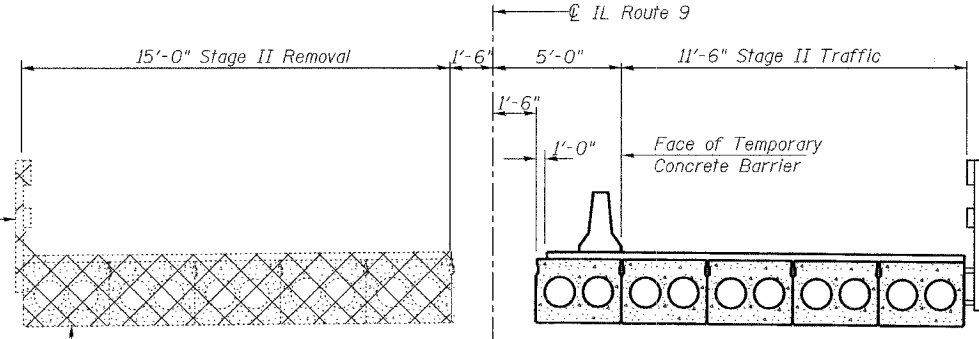


ROUTE NO.	SECTION	COUNTY	STAGE	SHEET NO.	SHEET NO. 2 9 SHEETS
FAP 693	22 BR	MCLEAN	28	11	
FED. ROAD DIST. NO. 7		ILLINOIS	FED. AID PROJECT		

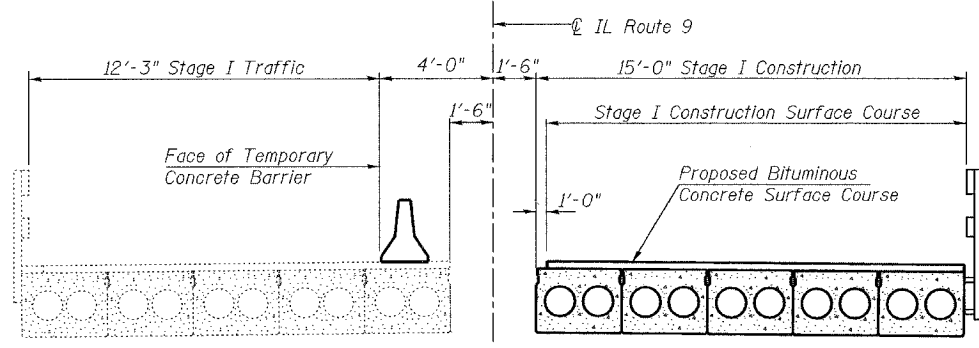
CONTRACT NO. 66583



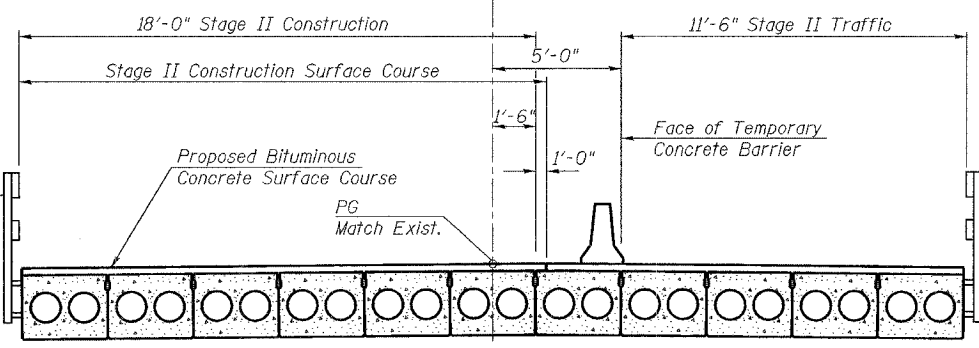
STAGE I REMOVAL
(Looking West)



STAGE II REMOVAL
(Looking West)

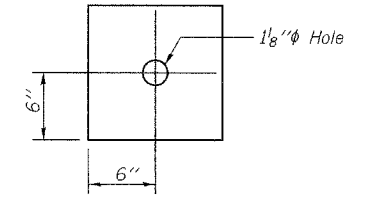


STAGE I CONSTRUCTION
(Looking West)

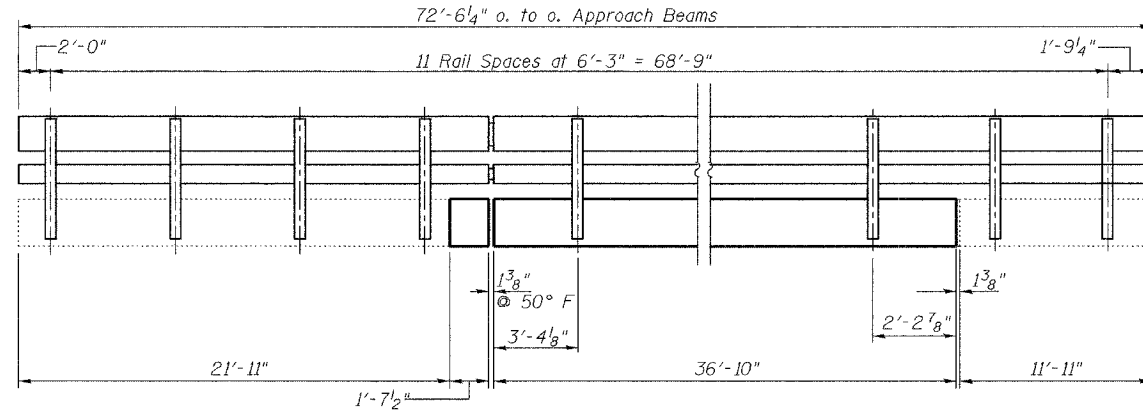


STAGE II CONSTRUCTION
(Looking West)

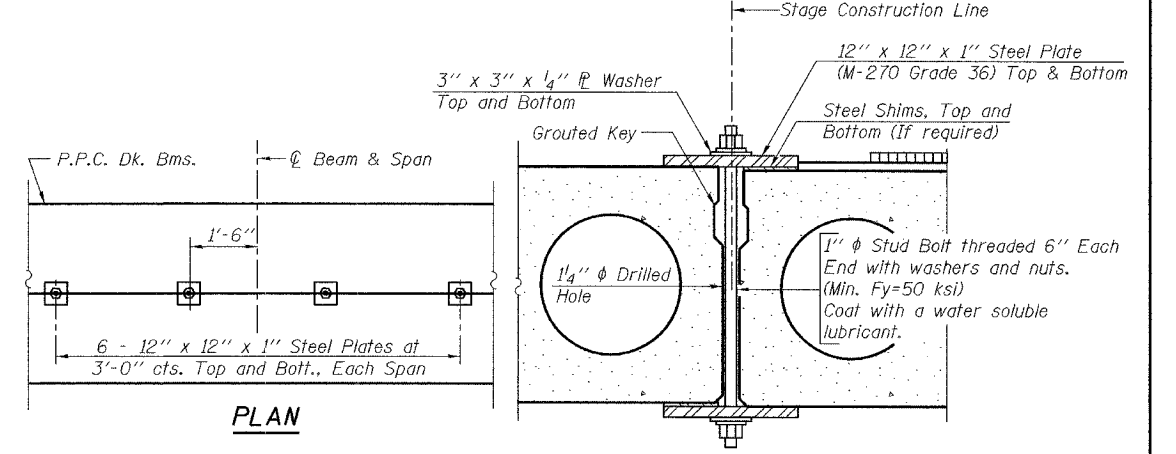
NOTES
Cross Hatched areas indicate Removal of Existing Superstructures. See Roadway plans for quantity of Temporary Concrete Barrier.



CLAMPING PLATE



SOUTH RAILING ELEVATION
(Looking South)

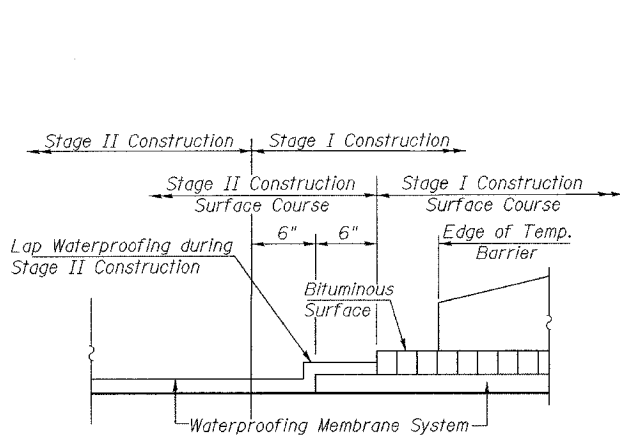


PLAN

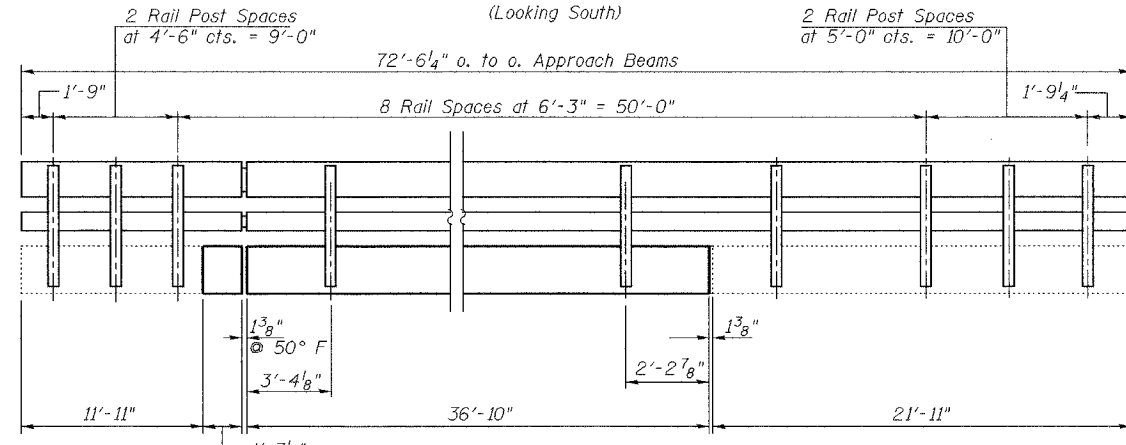
SECTION

SHEAR KEY CLAMPING DETAILS AT STAGE CONSTRUCTION JOINT

See Special Provisions for Stage Construction of Precast Prestressed Concrete Deck Beams. Cost of clamping device included in Precast Prestressed Concrete Deck Beams.



WATERPROOFING TREATMENT AT STAGE CONSTRUCTION



NORTH RAILING ELEVATION
(Looking South)

Note: Splice rail at expansion joint. See Sheet 6 of 9 for details.

ILLINOIS DEPARTMENT OF TRANSPORTATION			
SHEET TITLE STAGED CONSTRUCTION			
PROJECT IL ROUTE 9 OVER MONEY CREEK FAP ROUTE 693 SECTION 22 BR MCLEAN COUNTY STATION 1917+17.38 STRUCTURE NUMBER 057-0076	PROJECT NO. 05004-1	SCALE 12/15/05	DATE TFG
COOMBE-BLOXDORF P.C. Engineers / Land Surveyors Springfield, Illinois Design Firm License No. 184-002703		2	OF 9 SHTS

FILE NAME = ...
PLOT SCALE = 0.10000 1" / IN.
USER NAME = CFC.