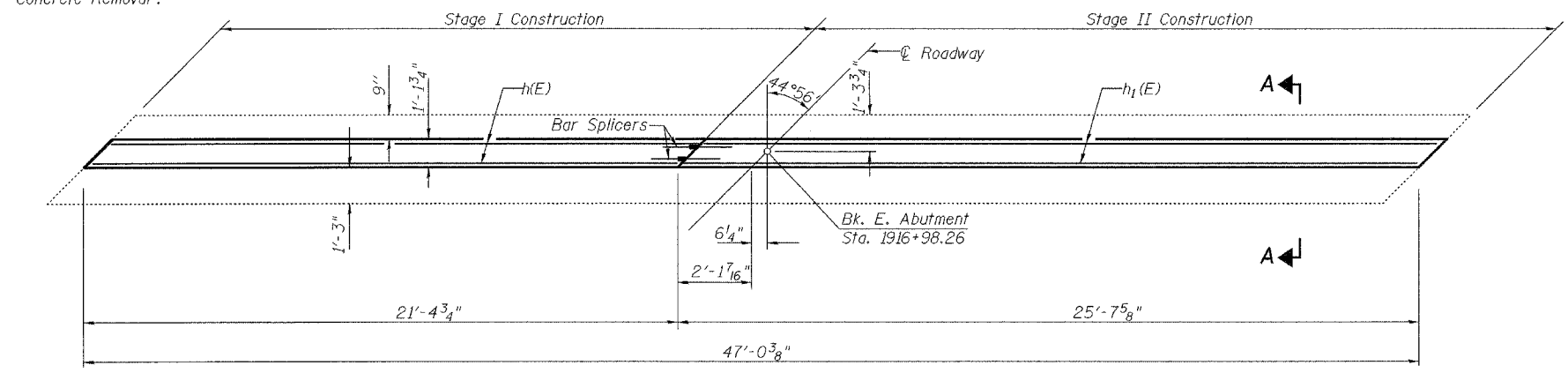


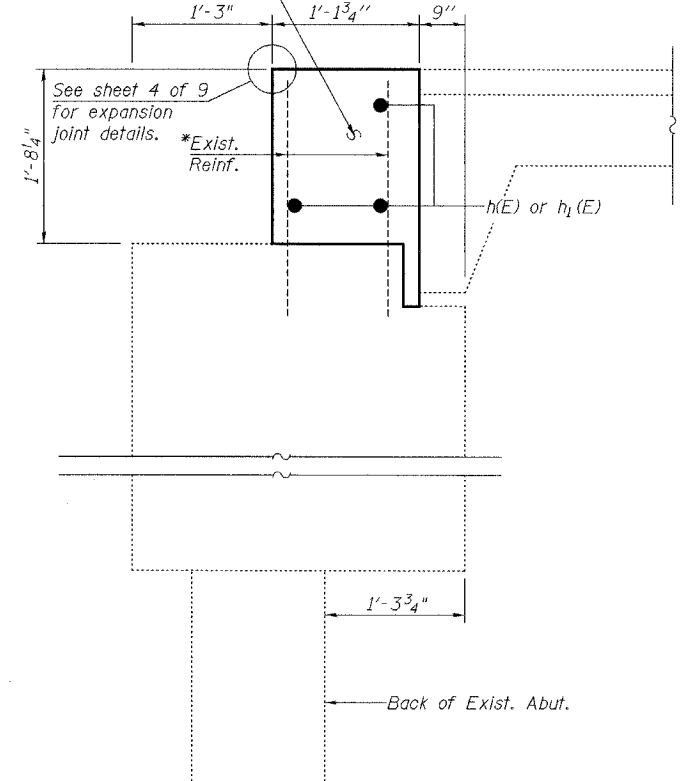
*Existing reinforcement to be cleaned, straightened and included in new construction. Any reinforcement bars that are damaged during concrete removal operations shall be repaired or replaced using an approved bar splicer or anchorage system. Cost included in "Concrete Removal".

ELEVATION
(Looking East)

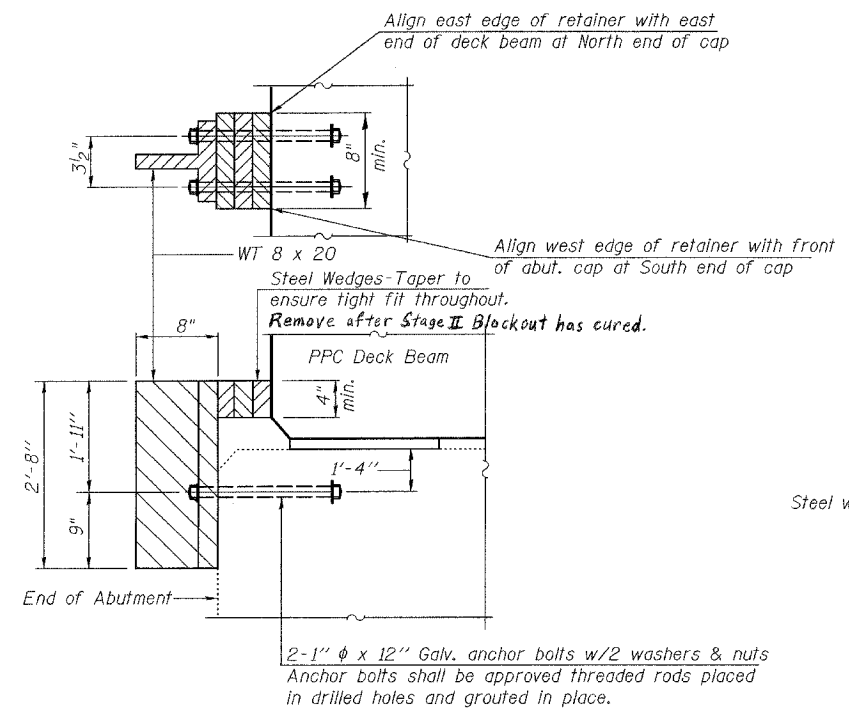


PLAN

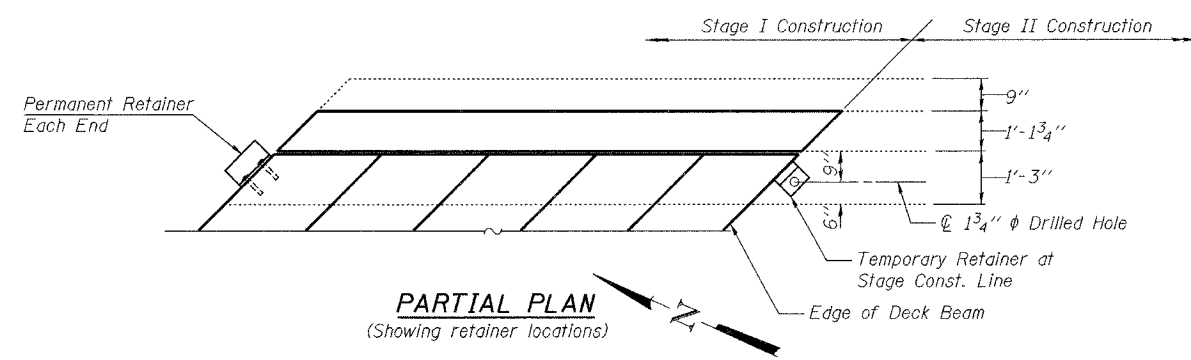
To be poured after beams have been erected and joints grouted. Ends of beams shall be aligned at the E. Abutment. Any lined variations in the beam lengths shall be placed at the W. Abutment.



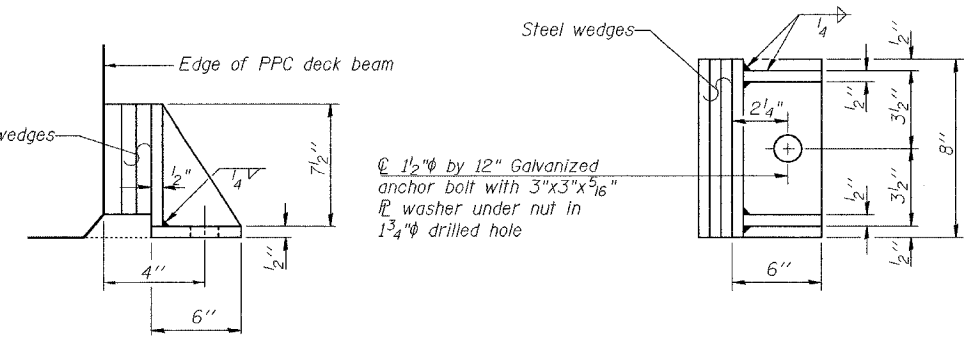
SECTION A-A
(Dimensions at right L's)



PERMANENT RETAINER DETAILS



PARTIAL PLAN
(Showing retainer locations)



TEMPORARY RETAINER AT STAGE CONSTRUCTION LINE
Equivalent rolled angle with stiffeners will be allowed in lieu of welded plates.

BILL OF MATERIAL

Bar	No.	Size	Length (ft)	Shape
h(E)	3	#6	21'-0"	—
h ₁ (E)	3	#6	25'-3"	—
Reinforcement Bars, Epoxy Coated			Pound	210
Bar Splicers			Each	3
Concrete Structures			Cu. Yd.	3.4

NOTES

Install permanent retainer at north end of cap and temporary retainer at Stage Line prior to grouting Stage I shear keys. After Stage I concrete blockout is poured and cured and Stage I bituminous wearing surface is installed, the temporary retainer shall be removed. Burn existing anchor bolts flush with existing abutment surface. Grind anchor bolts smooth and seal with epoxy. Install permanent retainer at south end of cap prior to grouting Stage II shear keys. Cost of retainers, accessories and removal of temporary retainer is included with Precast Prestressed Concrete Deck Beams. The side retainers shall be galvanized after shop fabrication according to AASHTO M11 and ASTM 385. Reinforcement bars designated (E) shall be epoxy coated.

ILLINOIS DEPARTMENT OF TRANSPORTATION	
SHEET TITLE: EAST ABUTMENT	
PROJECT: IL ROUTE 9 OVER MONEY CREEK	PROJECT NO. 05004-1
FAP ROUTE 693 SECTION 22 BR	SCALE
MCLEAN COUNTY	DATE: 12/15/05
STATION 1917+17.38	DRAWN BY: JEG
STRUCTURE NUMBER 057-0076	CHECKED BY: CME/MCB
DESIGNED BY: JEG	DATE: 12/15/05
COOMBE-BLOXDORF P.C.	8
Engineers / Land Surveyors	OF 9 SHTS
Springfield, Illinois	
Design Firm License No. 184-002703	

FILE NAME = ...
 PLOT SCALE = 1/8" = 1'-0"
 USER NAME = DFC