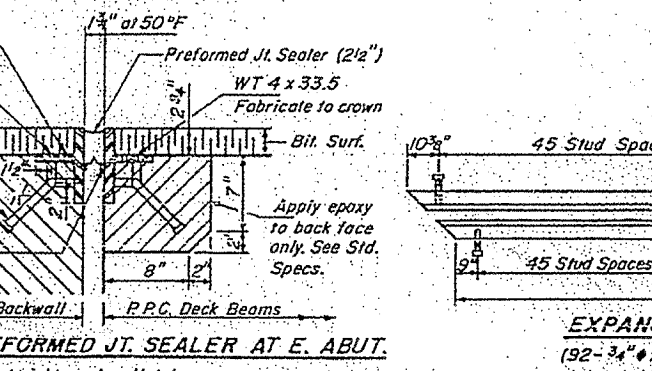
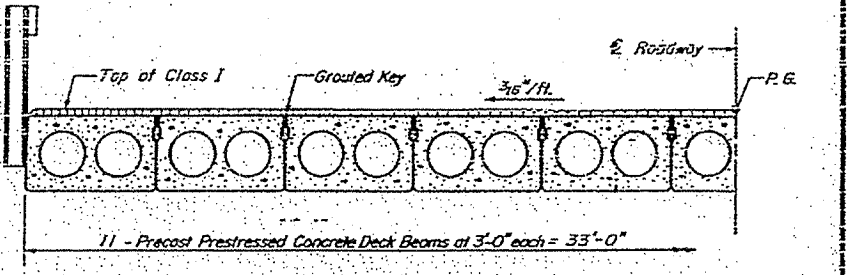
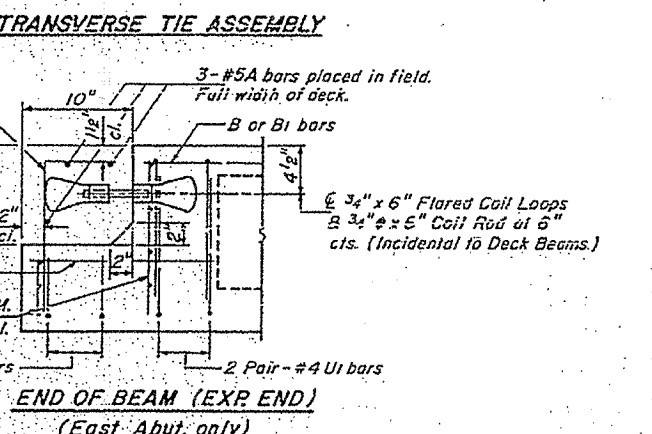
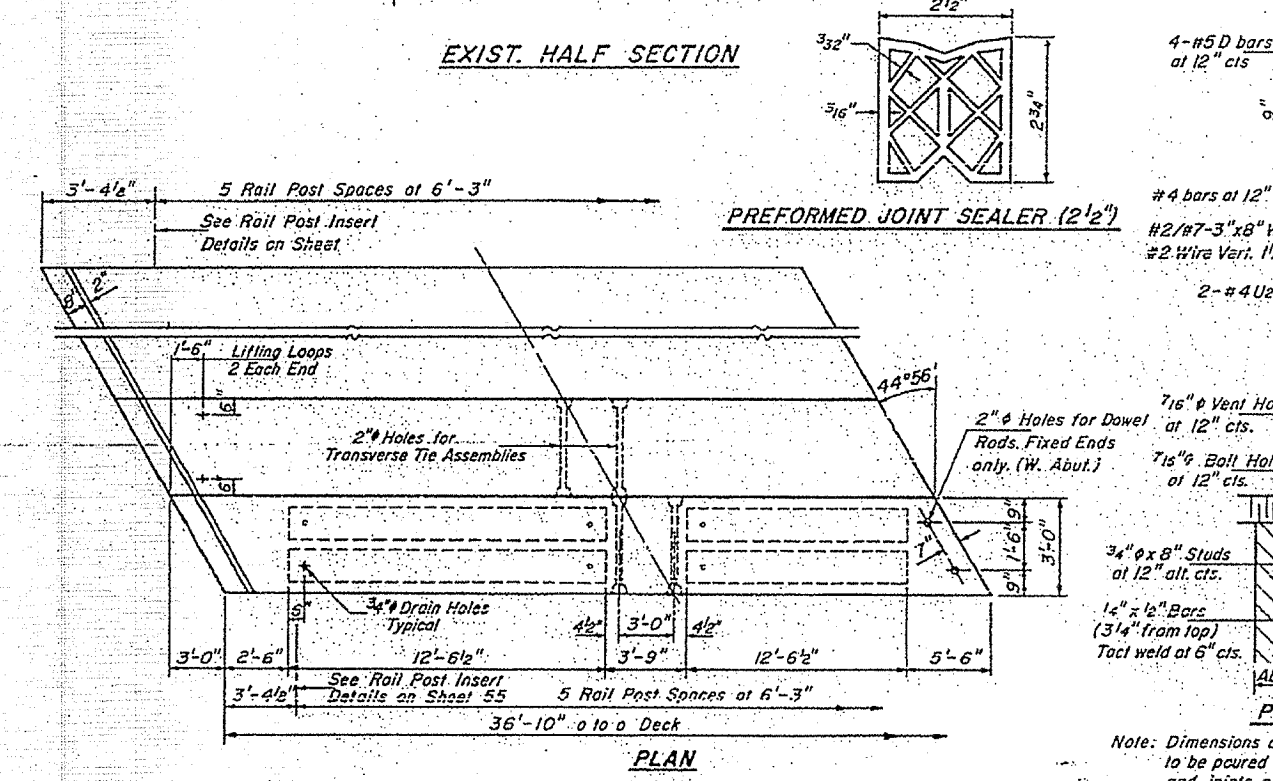
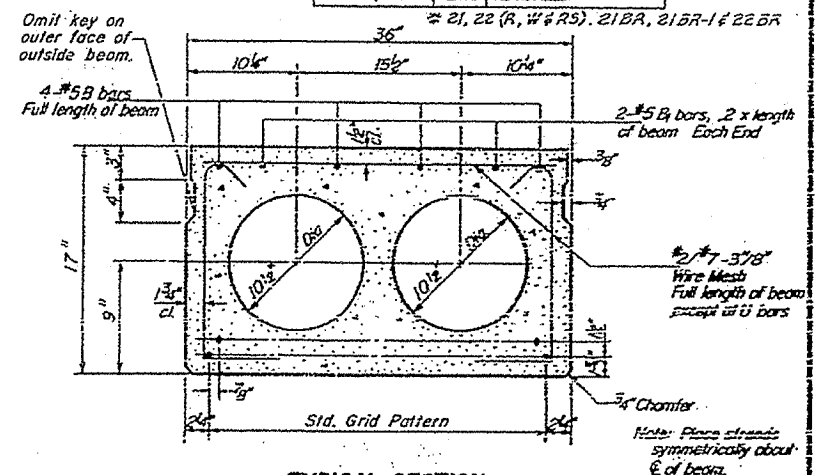
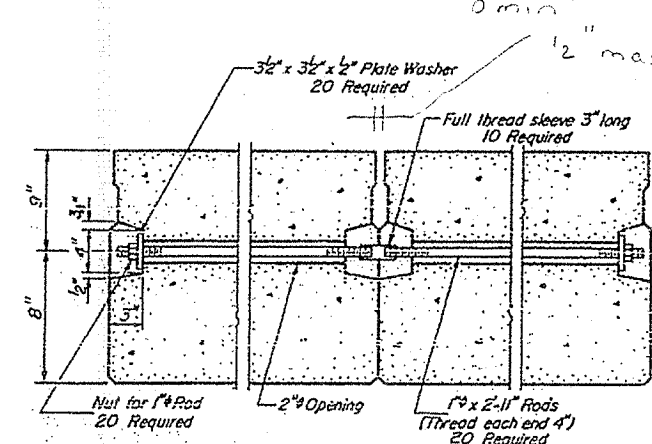
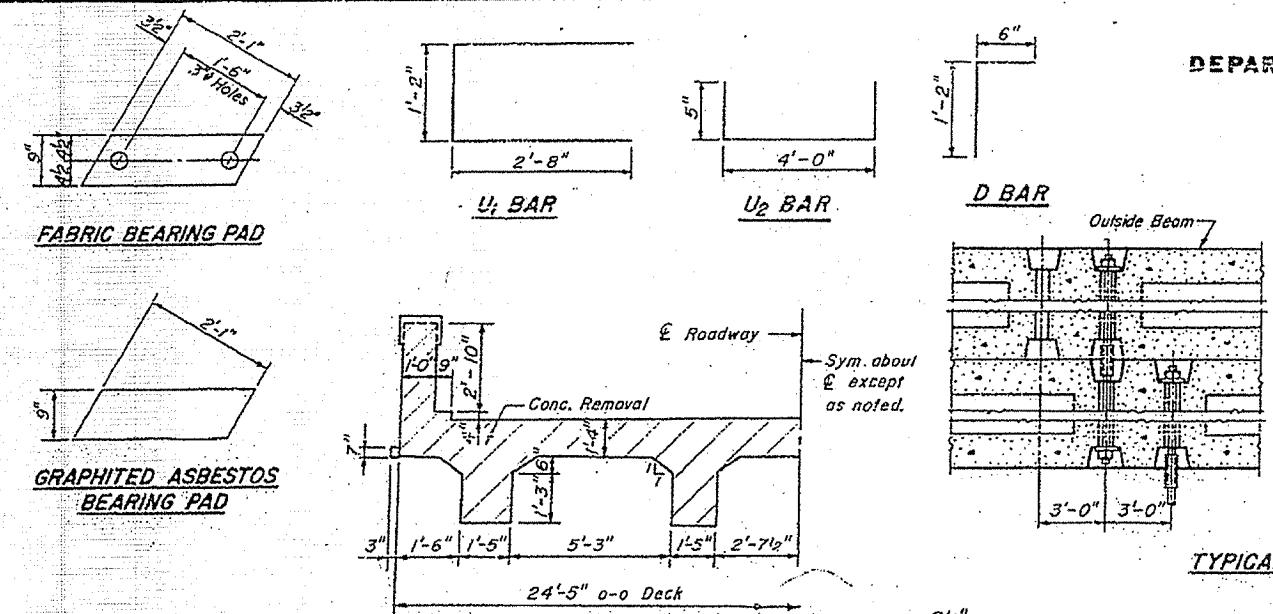


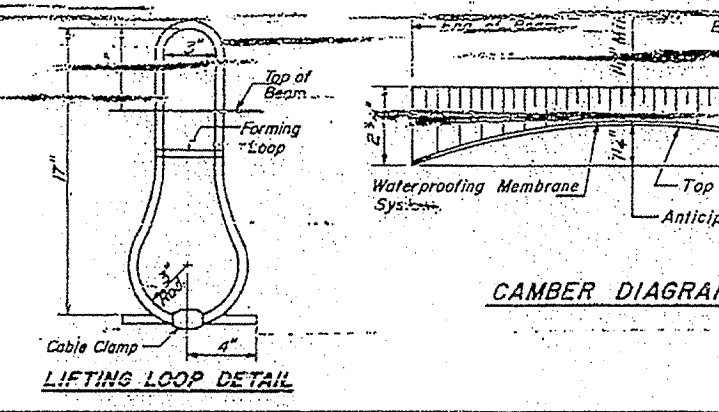
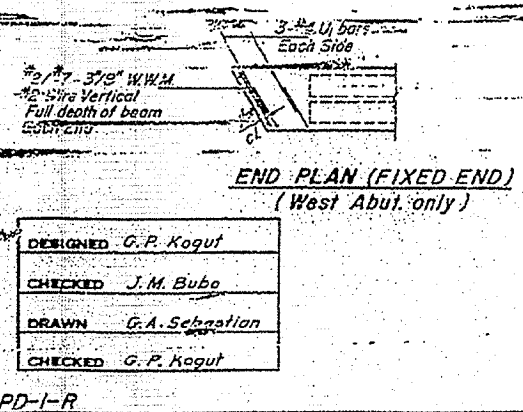
STATE OF ILLINOIS  
DEPARTMENT OF TRANSPORTATION

S.B.I. #	McLEAN	65	52
# 21, 22 (R, W & RS), 21BR, 21BR-1 & 22BR			



**BILL OF MATERIAL**

Bar	No.	Size	Length	Shape
A	6	#5	2'-4"	
B	44	#5	36'-7"	
B1	44	#5	7'-5"	
D	44	#5	1'-8"	
U1	132	#4	5'-0"	
U2	22	#4	4'-10"	
Preformed Jt. Sealer (2 1/2")		Lin. Ft.	47	
Precast Prestressed Concrete Deck Beams		Lin. Ft.	1216	
Portland Cement Mortar Fairing Course		Lin. Ft.	368	



**NOTES**

Long loops shall be 1/2" diameter, 4 x 25 class wire rope with fiber core and shall have a minimum ultimate tensile strength of 21,000 lbs. The 1/4" rods in the transverse tie assembly shall be tightened to a snug fit and the threads set. Rods that receive transverse tie bar on outside shall be fitted with grommet after transverse tie assembly is in place.

Longitudinal shear keys shall be packed with a mix of 2-1 sand and P.C. mortar. After beams have been erected, holes for the dowel anchors shall be drilled into the substructure and the anchor dowels shall be grouted in place.

Dowel rods shall be AASHTO M 227 or AASHTO M 31. Transverse tie rods shall be AASHTO M 227, Grade 70-60.

After fabrication the transverse tie assemblies (tie rods, nuts, washers and sleeves) shall be hot-dipped galvanized in accordance with AASHTO Designation M 232.

Cost of reinforcement and accessories cast into the beam, or bearing pads and of grouting longitudinal shear keys is included in unit price bid for "Precast Prestressed Concrete Deck Beams."

**DESIGNED** G.P. Kogut  
**CHECKED** J.M. Bubo  
**DRAWN** G.A. Sebastian  
**CHECKED** G.P. Kogut

PD-1-R

**36" X 17" DECK BEAM DETAILS**  
S.B.I. RTE. 9 OVER MONEY CREEK  
SECTION 22 BR  
MCLEAN COUNTY

FOR INFORMATION ONLY