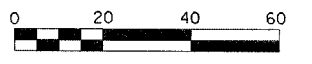
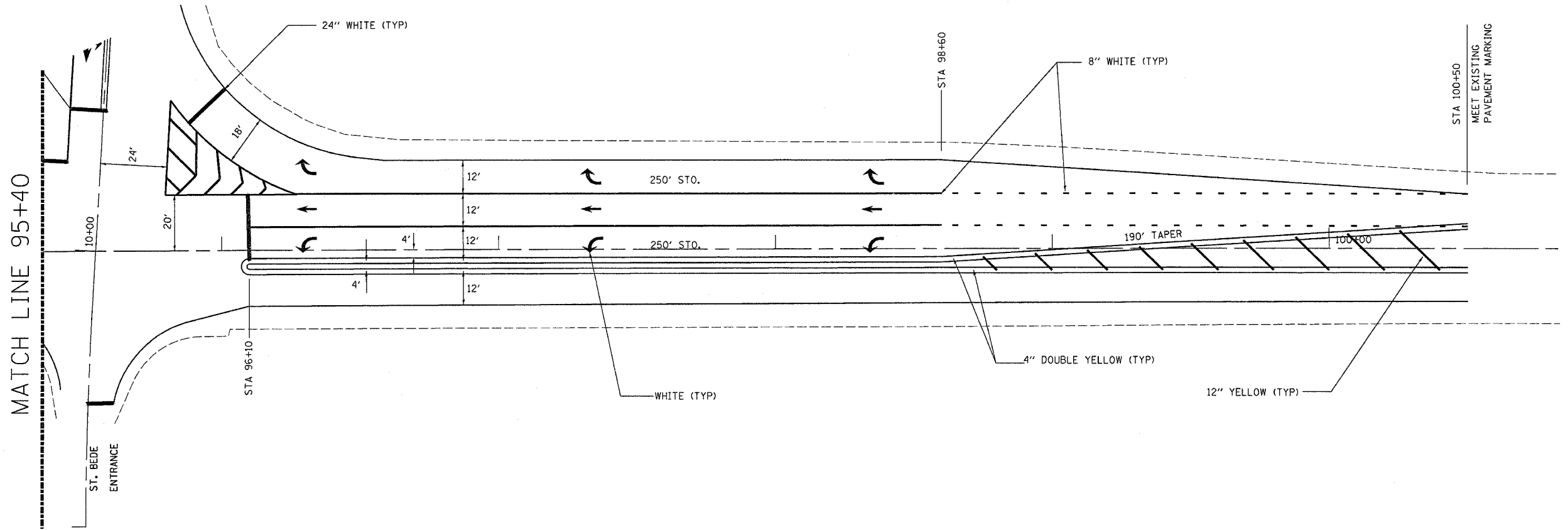
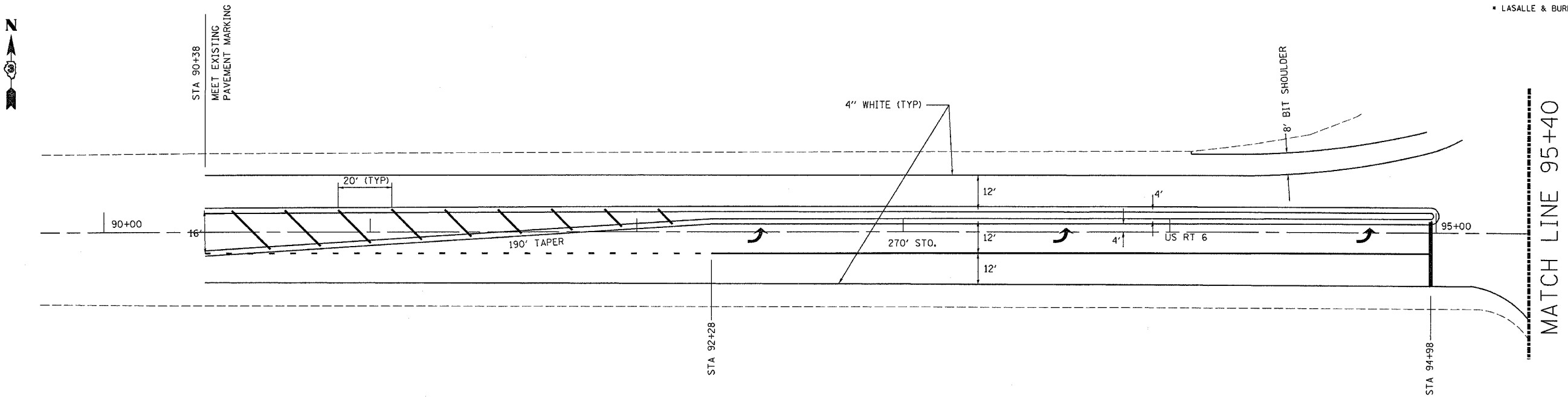


F.A.U. RTE.	SECTION	COUNTIES	TOTAL SHEETS	SHEET NO.
6088	17N	*	18	10

STA. \_\_\_\_\_ TO STA. \_\_\_\_\_  
 FED. ROAD DIST. NO. \_\_\_\_\_ ILLINOIS FED. AID PROJECT

\* LASALLE & BUREAU



12/13/2005  
 c:\projects\ep01205\sheet.s.dgn