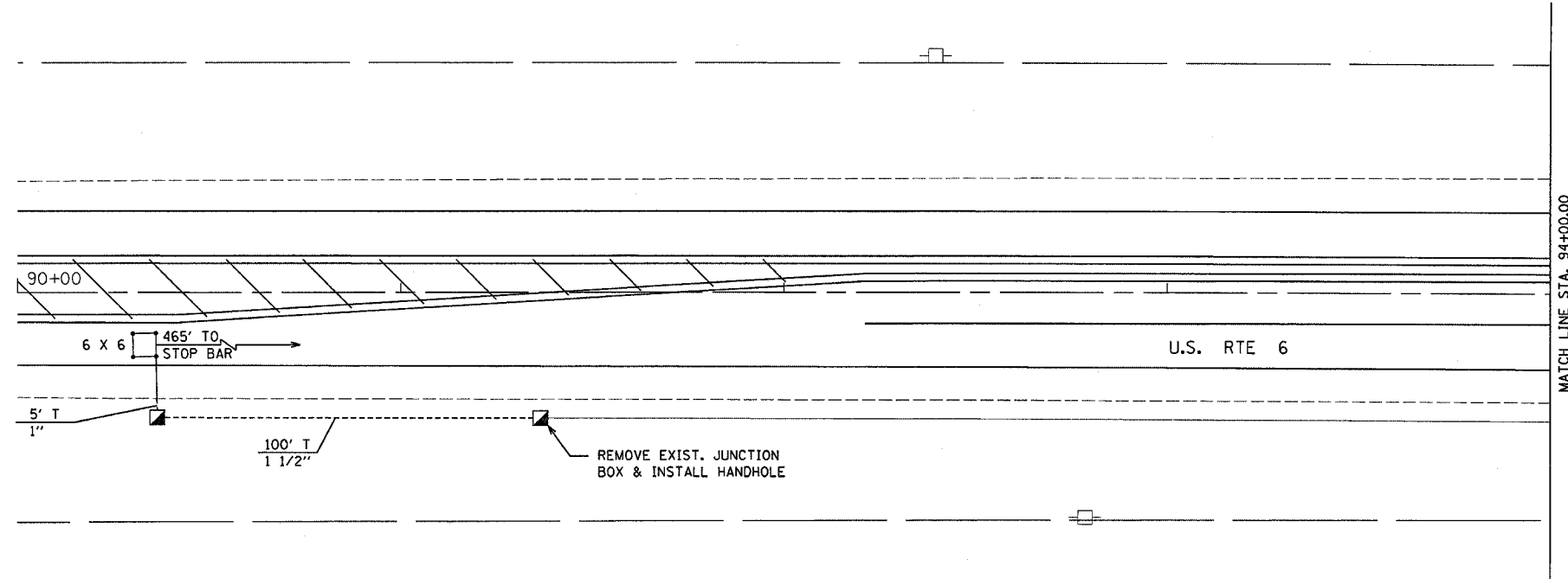


F.A.U. RTE.	SECTION	COUNTY	TOTAL SHEETS	SHEET NO.
•	•	LaSalle/Bureau	18	14

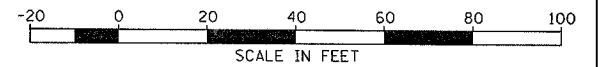
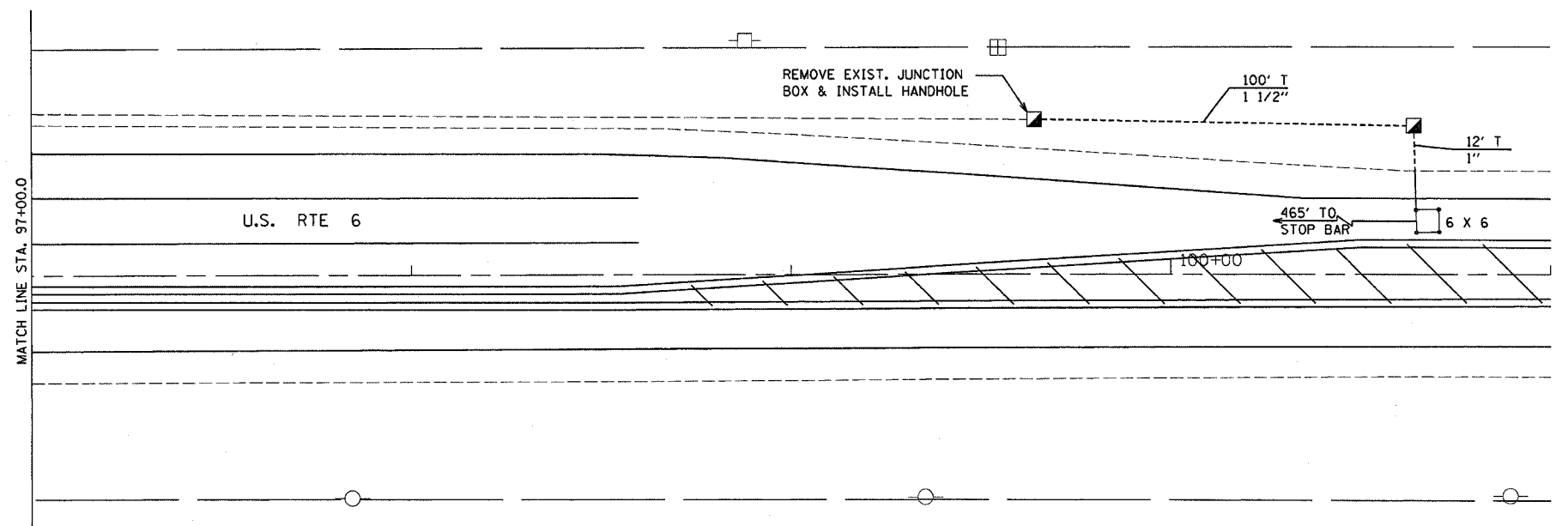
FED. ROAD DIST. NO. - ILLINOIS FED. AID PROJECT

- FAU 6088 (US RTE 6)
- 17 N



TRAFFIC SIGNALS LEGEND

EXISTING	PROPOSED	
		CONTROLLER CABINET
		CONDUIT
		SIGNAL HEAD WITH BACKPLATE
		STEEL MAST ARM
		TRAFFIC SIGNAL POST
		HANDHOLE



REVISIONS	
NAME	DATE

ILLINOIS DEPARTMENT OF TRANSPORTATION  
**TRAFFIC SIGNAL PLAN**  
 FAU 6088 (US RTE 6) AND  
 DALZELL ROAD  
 SECTION 17 N  
 LASALLE & BUREAU COUNTY

SCALE: VERT. 1"=20'  
 HORIZ. 1"=20'  
 DATE 9/05

DRAWN BY ARR  
 CHECKED BY MVF

12/13/2005  
 c:\projects\ep01205\consult\tsplan.dgn