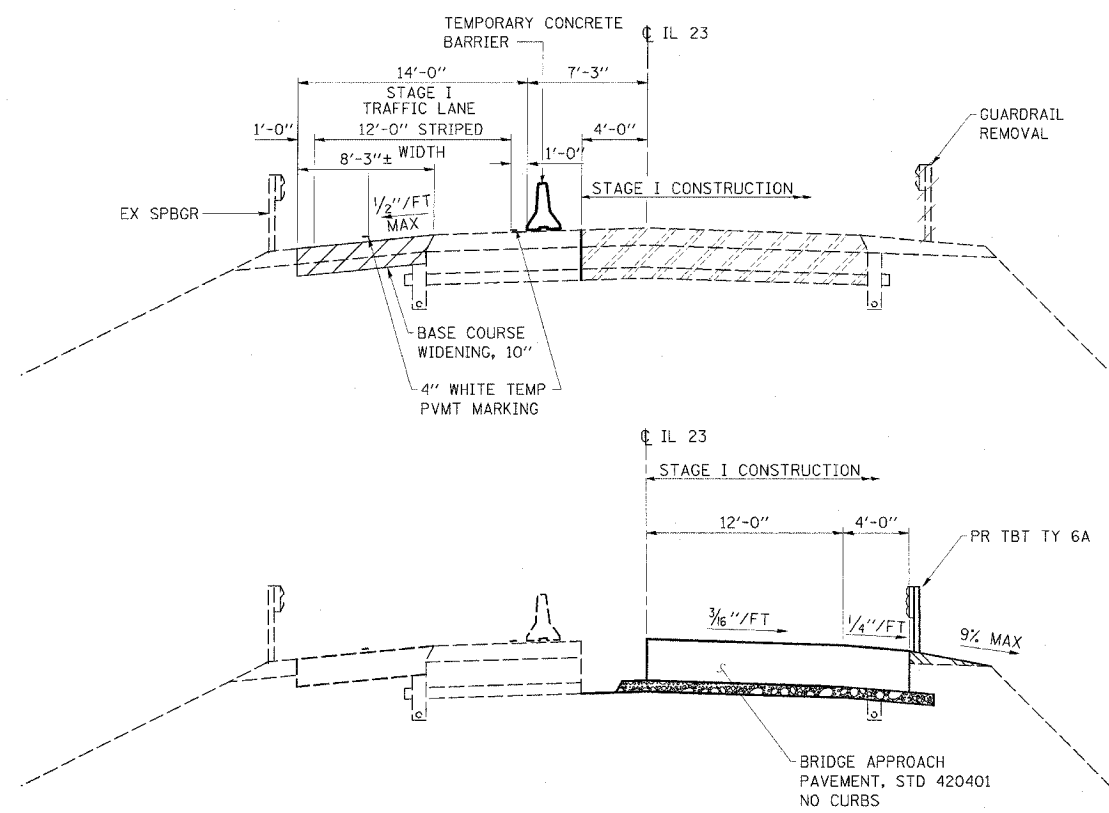
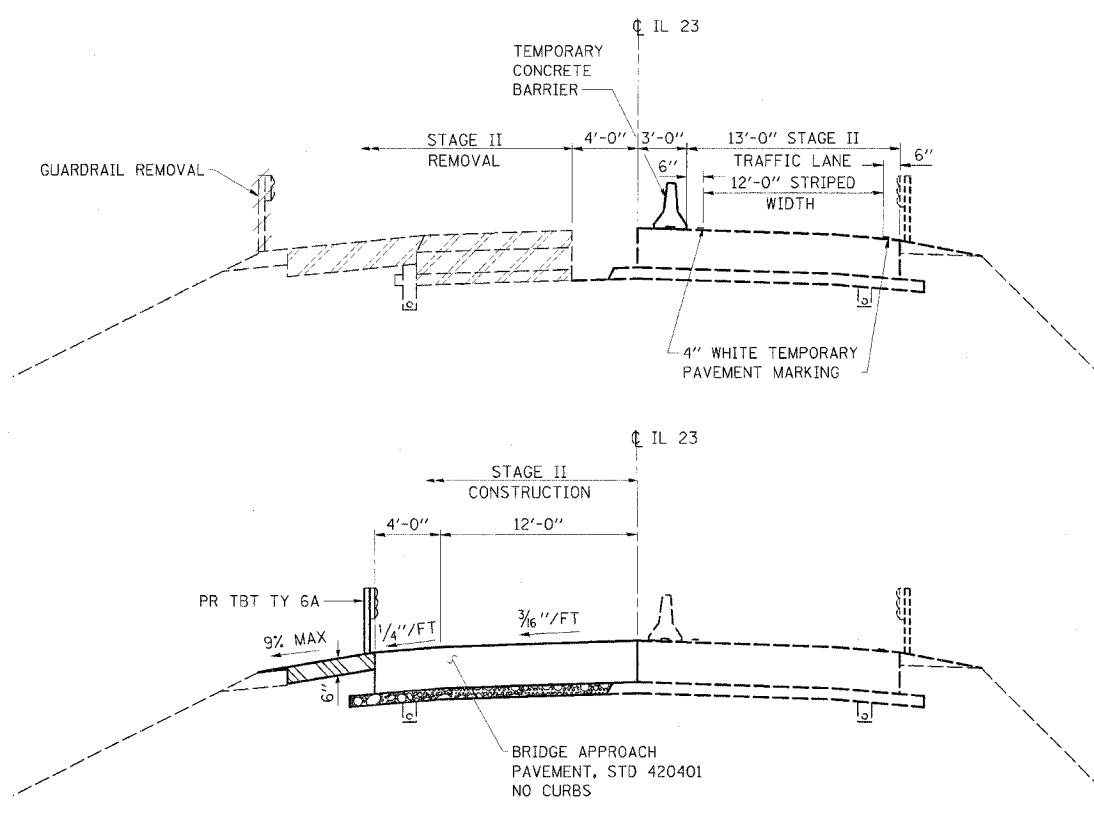


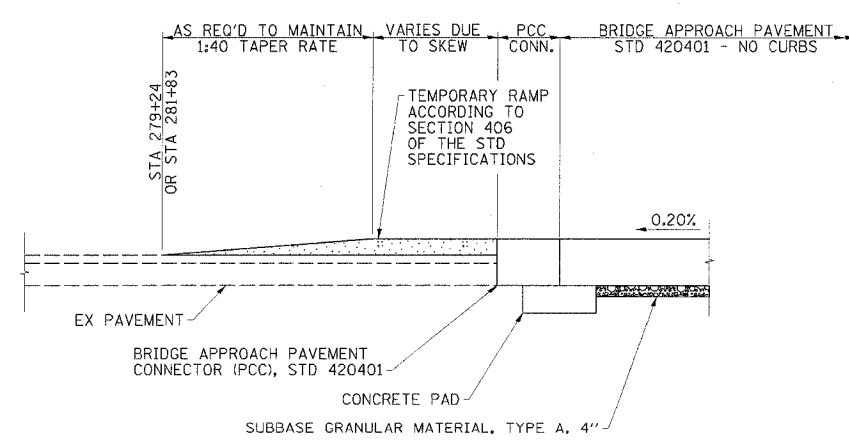
FAP RTE	SECTION	COUNTY	TOTAL SHEETS	SHEET NO.
68	101BR	LIVINGSTON	47	11
STA.		TO STA.		
FED. ROAD DIST. NO.		ILLINOIS FED. AID PROJECT		



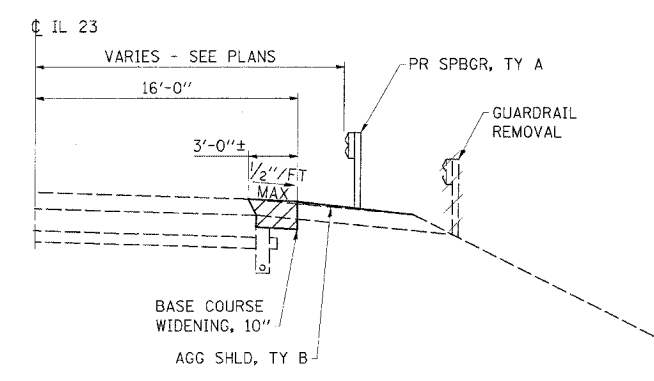
**SECTION A-A**



**SECTION D-D**



**SECTION B**



**SECTION C**

**ESCA**  
CONSULTANTS, INC.

DESIGNED BY:	MTD	8/05
DRAWN BY:	HAG	9/05
CHECKED BY:	MTD	9/05
APPROVED BY:	RDP	9/05

**STAGE CONSTRUCTION DETAILS**  
FAP RTE 68 (IL 23)  
SECTION 101BR  
LIVINGSTON COUNTY