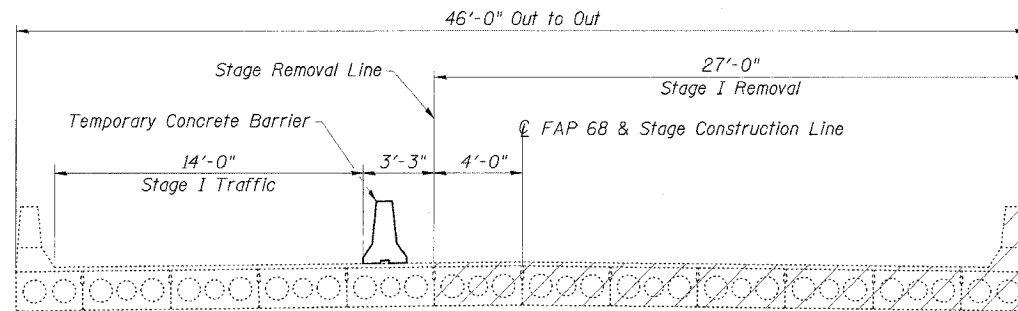
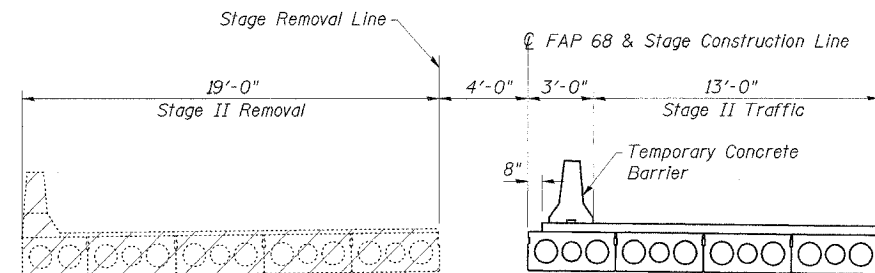


STATE OF ILLINOIS
DEPARTMENT OF TRANSPORTATION

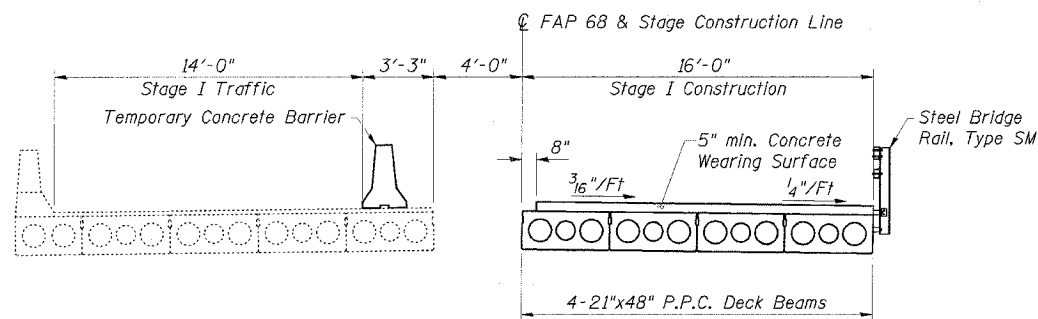
ROUTE NO.	SECTION	COUNTY	TOTAL SHEETS	SHEET NO.
FAP 68	101BR	LIVINGSTON	47	17
STA.	TO STA.			
FED. ROAD DIST. NO.	ILLINOIS	FED. AID PROJECT		
DWS. NO. 3 OF 17				
CONTRACT NO. 66606				



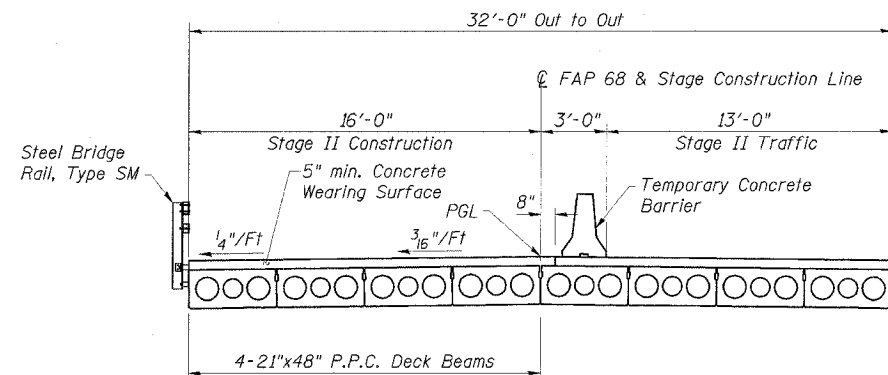
STAGE I REMOVAL



STAGE II REMOVAL



STAGE I CONSTRUCTION



STAGE II CONSTRUCTION

STAGE CONSTRUCTION NOTES

1. All staging sections are looking South.
2. For quantity of Temporary Concrete Barrier, see roadway plans.
3. See Dwg. No. 5 of 17 for shear key clamping details.
4. See Dwg. No. 7 of 17 for temporary beam retainer details.

ESCA
CONSULTANTS, INC.

DESIGNED BY:	ELH	8/05
DRAWN BY:	DWH	8/05
CHECKED BY:	ELH	10/05
APPROVED BY:	RDP	10/05

STAGE CONSTRUCTION DETAILS
IL 23 OVER PRAIRIE CREEK
FAP ROUTE 68 - SECTION 101BR
LIVINGSTON COUNTY
STATION 280+55.00
STRUCTURE NO. 053-0153