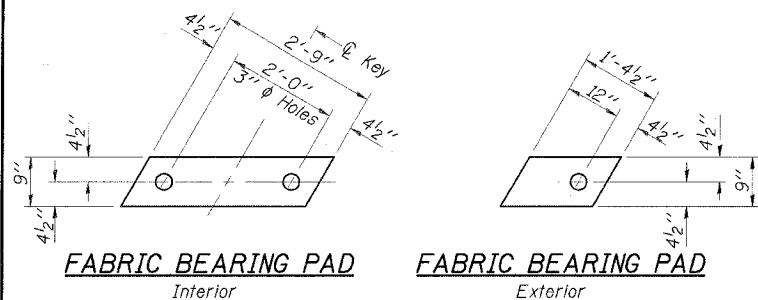


STATE OF ILLINOIS
DEPARTMENT OF TRANSPORTATION

ROUTE NO.	SECTION	COUNTY	TOTAL SHEETS	SHEET NO.
FAP 68	10IBR	LIVINGSTON	47	20
STA	TO STA			
FED. ROAD DIST. NO.		ILLINOIS	FED. AID PROJECT-	
DWG. NO. 6 OF 17				

CONTRACT NO. 66606



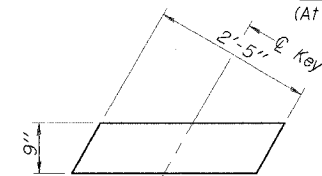
FABRIC BEARING PAD

Interior

FABRIC BEARING PAD

Exterior

FIXED
(At Piers)



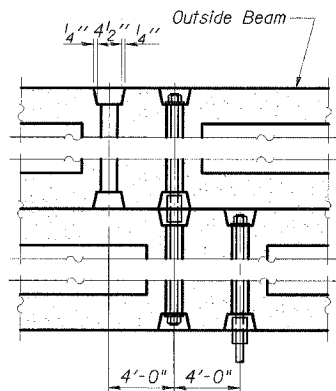
FABRIC BEARING PAD

Interior

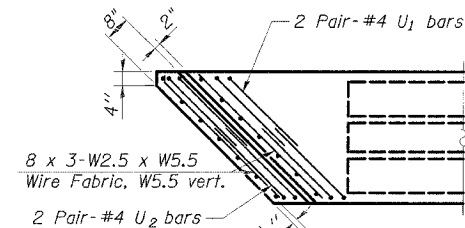
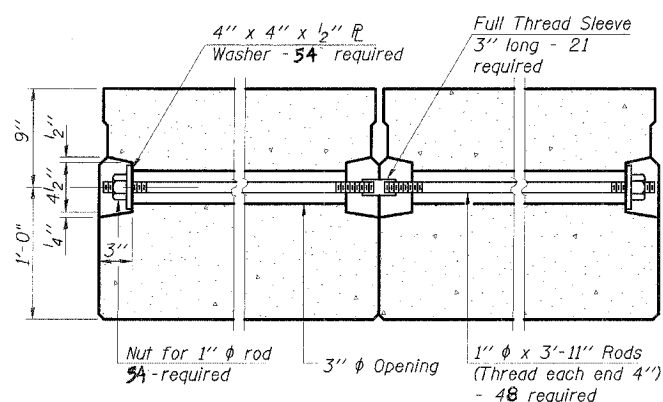
FABRIC BEARING PAD

Exterior

EXPANSION
(At Abutments)



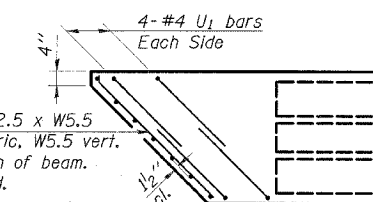
TYPICAL TRANSVERSE TIE ASSEMBLY



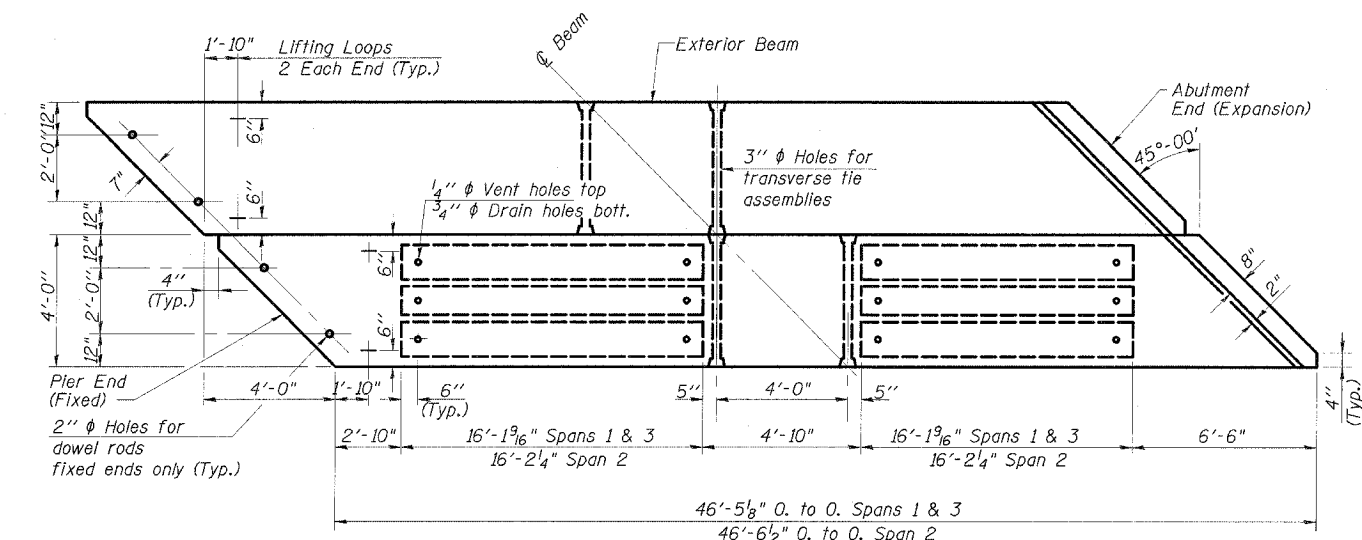
AT EXPANSION END

(See End of Beam detail on Dwg. 7 of 17 for reinforcement)

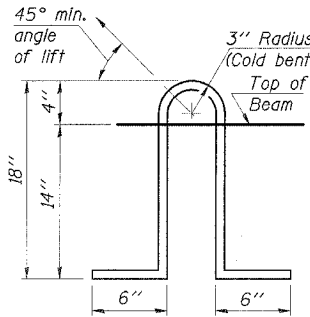
END PLANS



AT FIXED END



PLAN

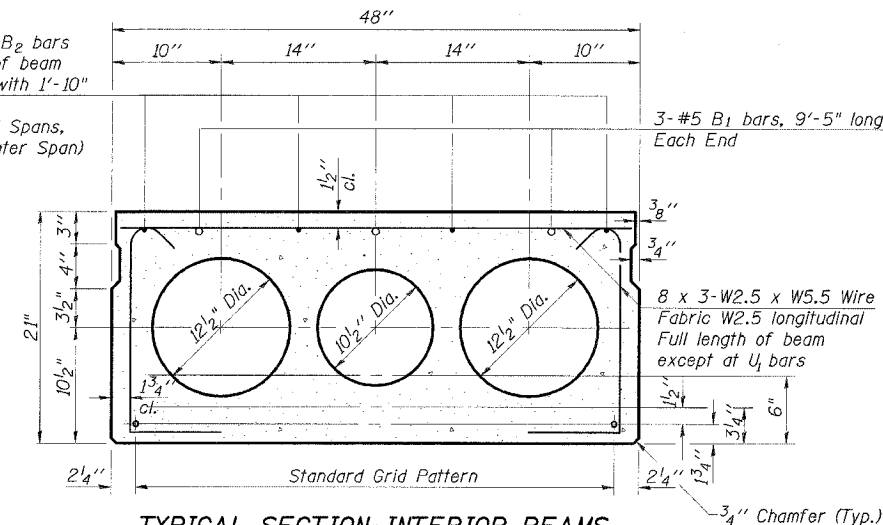


LIFTING LOOP DETAIL

NOTES

- Prestressing steel shall be uncoated high strength, low relaxation 7-wire strand, Grade 270. The nominal diameter shall be 1/2 inch and the nominal cross-sectional area shall be 0.153 sq. in. Lifting loops shall be 3-1/2 inch diameter 270 ksi strands, as shown.
- The 1 inch diameter rods in the transverse tie assembly shall be tightened to a snug fit and the threads set. Pockets that receive transverse tie bar on outside shall be filled with grout after transverse tie assembly is in place.
- Non prestressing steel shall conform to AASHTO M-31 or M322 Grade 60.
- The bearing seat surfaces shall be adjusted by shimming to assure firm and even bearing. Two 1/8 inch fabric adjusting shims of the dimensions of the Exterior Bearing Pad shall be provided for each bearing.
- Keyway surfaces shall be cleaned to remove form oil or other bond breaking material prior to shipment of the beams. Cleaning shall be done by sandblasting the keyway areas between top of the beam and the bottom edge of the key.
- Corrosion Inhibitor, as covered in the Special Provisions, shall be used in the concrete for precast prestressed concrete deck beams.
- Required Release Strength, f'cl, shall be 4,000 p.s.i.
- See Drawing 2 of 17 for location of rail anchors and additional notes.

4-#5 B or B2 bars
Full length of beam
-2 lengths with 1'-10"
min. lap
(B bars End Spans,
B2 bars Center Span)

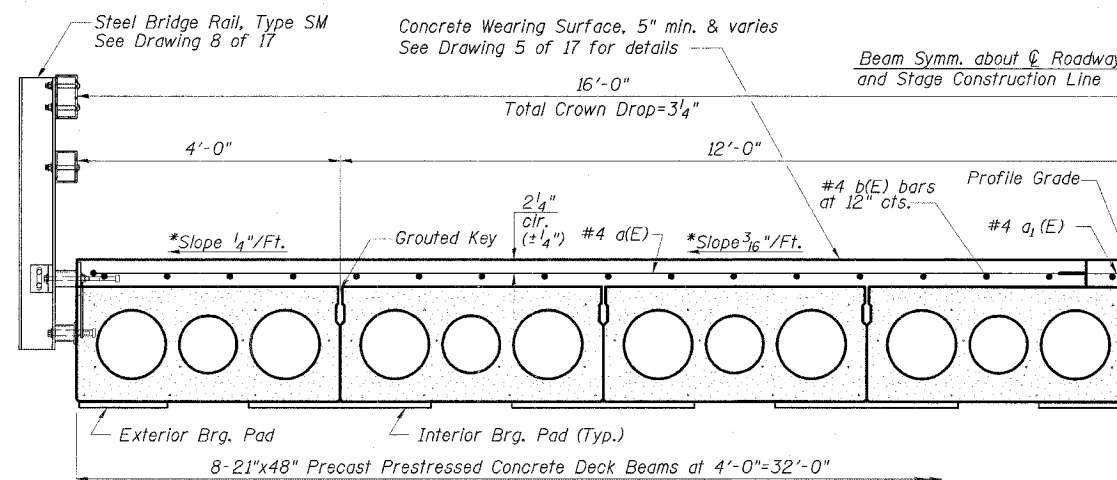


TYPICAL SECTION-INTERIOR BEAMS

17-1/2 inch diameter Strands, Each Strand Stressed to 30,900 Lbs.
8-Strands 1 3/4 inch up, 7-Strands 3/4 inch up, 2-Strands 6 inch up

Notes:

- 1. Place strands symmetrically about centerline of beam.
- 2. See Dwg. 7 of 17 for fascia beam details.



HALF CROSS SECTION

*Cross slopes shown are applicable to Concrete Wearing Surface.

SUPERSTRUCTURE DETAILS
IL 23 OVER PRAIRIE CREEK
FAP ROUTE 68 - SECTION 10IBR
LIVINGSTON COUNTY
STATION 280+55.00
STRUCTURE NO. 053-0153

ESCA
CONSULTANTS, INC.

DESIGNED BY:	ELH	8/05
DRAWN BY:	DWH	8/05
CHECKED BY:	ELH	12/05
APPROVED BY:	RDP	12/05