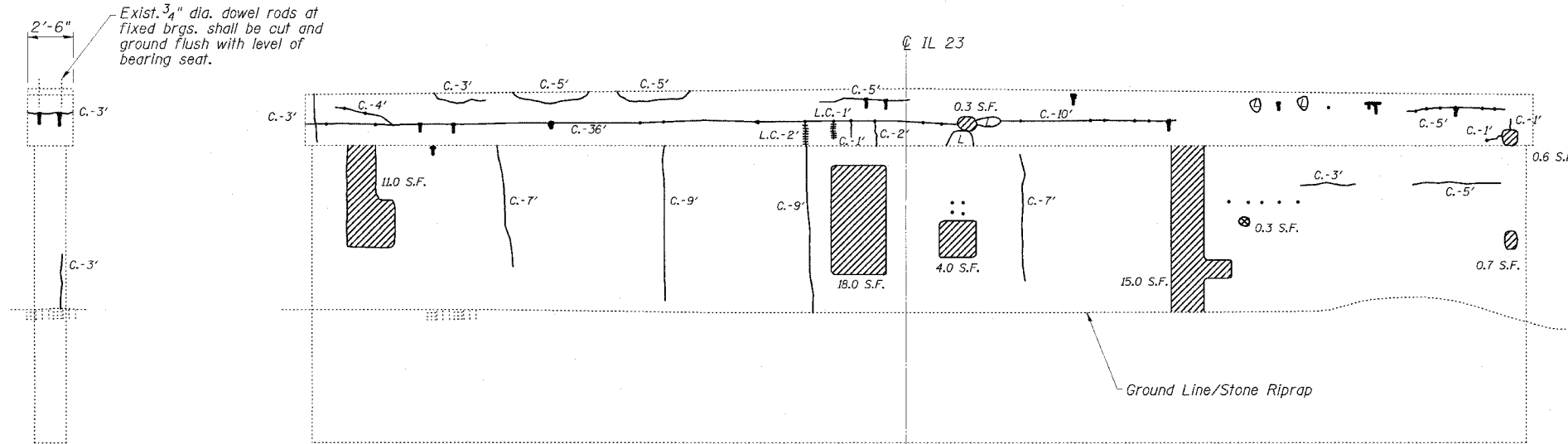


STATE OF ILLINOIS  
DEPARTMENT OF TRANSPORTATION

ROUTE NO.	SECTION	COUNTY	TOTAL SHEETS	SHEET NO.
FAP 68	101BR	LIVINGSTON	47	28
STA	TO STA			
FED. ROAD DIST. NO.	ILLINOIS	FED. AID PROJECT		
DWG. NO. 14 OF 17				
CONTRACT NO. 66606				



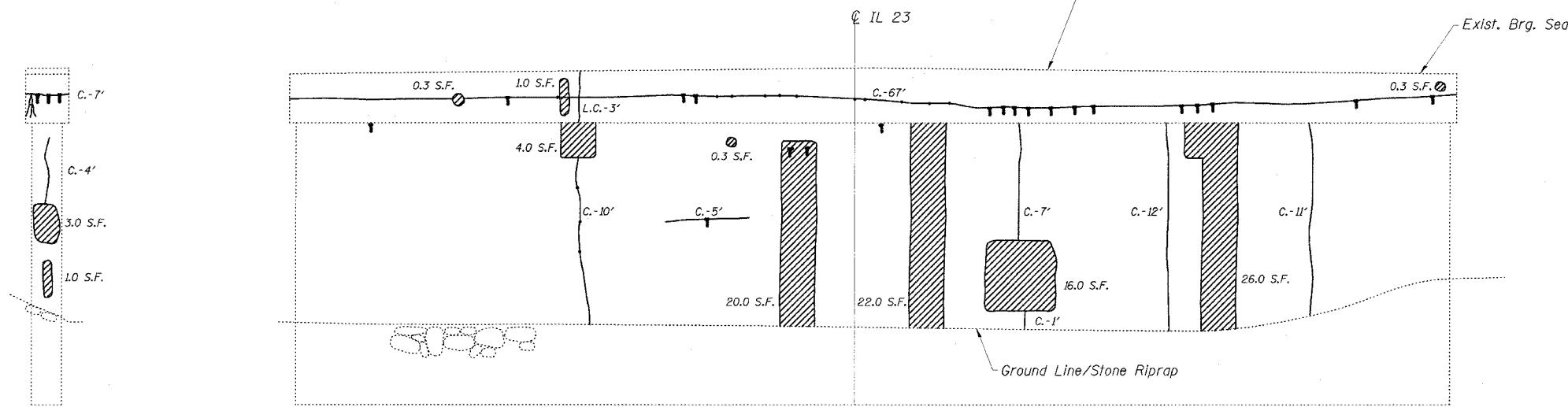
EAST END

NORTH ELEVATION

PIER 1  
BILL OF MATERIAL

ITEM	UNIT	TOTAL
Epoxy Crack Sealing	Foot	277
Formed Concrete Repair (Depth Equal to or Less Than 5")	Sq. Ft.	158.8

EXISTING BEARING SEAT TO BE INSPECTED BY THE ENGINEER AFTER DECK BEAM REMOVAL. DETERIORATED CONCRETE AREAS SHALL BE REPAIRED (ESTIMATED 15 S.F. ADDITIONAL FORMED CONCRETE REPAIR DEPTH < 5") AND CRACKS SHALL BE SEALED (ESTIMATED 20' ADDITIONAL EPOXY CRACK SEALING) IF FOUND.



WEST END

SOUTH ELEVATION

REPAIR LEGEND

Inspection Date: 3-31-05

- Rust Stained Area
- Moisture Stained or Leached Area
- Hairline Crack - Not to be Sealed
- Crack (> 1/16" Width) EPOXY CRACK SEALING
- Leached Crack (> 1/16" Width) FORMED CONC. REPAIR
- Delaminated Area
- Spalled Area (Depth < 5")

NOTE: PIER CRACK REPAIR LENGTHS AND FORMED CONCRETE REPAIR AREAS ARE ESTIMATED FROM 3-31-05 SURVEY WORK. ACTUAL LOCATIONS AND QUANTITIES OF REPAIRS SHALL BE SHOWN BY THE ENGINEER ON THE AS-BUILT PLANS FOR THIS SECTION.

**ESCA**  
CONSULTANTS, INC.

DESIGNED BY:	ELH	8/05
DRAWN BY:	DWH	8/05
CHECKED BY:	ELH	10/05
APPROVED BY:	RDP	10/05

PIER 1  
IL 23 OVER PRAIRIE CREEK  
FAP ROUTE 68 - SECTION 101BR  
LIVINGSTON COUNTY  
STATION 280+55.00  
STRUCTURE NO. 053-0153