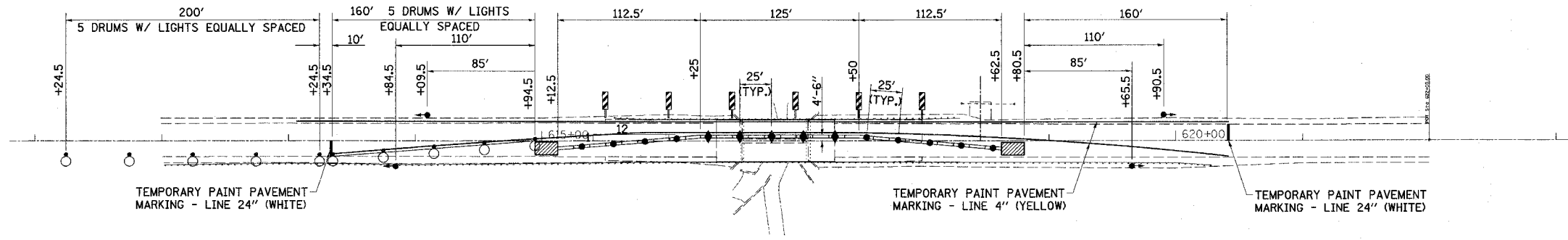
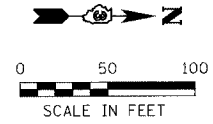
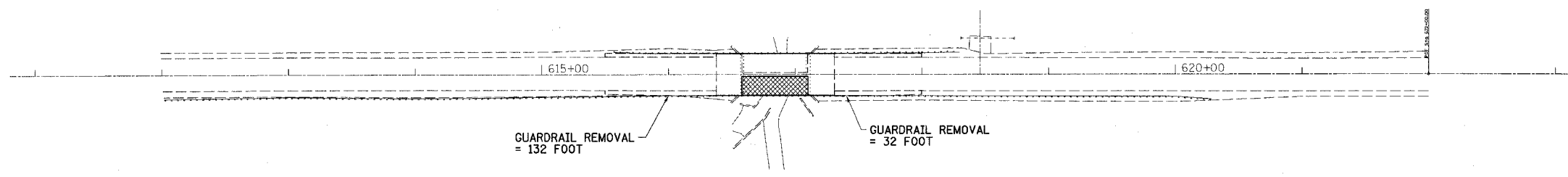


F.A.P. RTE.	SECTION	COUNTY	TOTAL SHEETS	SHEET NO.
840	136 BR-1	IROQUOIS	45	10
STA. 611+00		TO STA. 623+00		
FED. ROAD DIST. NO.		ILLINOIS	FED. AID PROJECT	



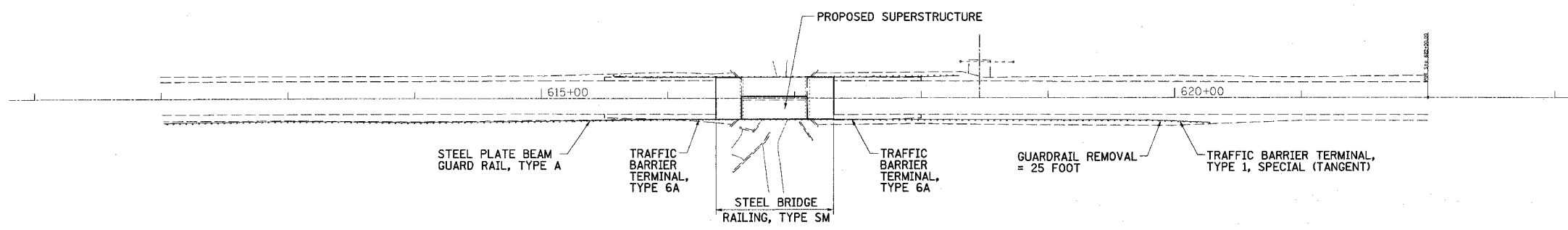
TRAFFIC CONTROL

- ### STAGE II SEQUENCE OF OPERATIONS
1. INSTALL TEMPORARY CONCRETE BARRIERS AND DRUMS USING TRAFFIC CONTROL AND PROTECTION STANDARDS 701006 AND 701201. ALL OTHER ITEMS AS PER THESE DETAILS AND AS PER LANE CLOSURE 2L, 2W. BRIDGE REPAIR WITH BARRIER STANDARD 701321 AND TRAFFIC CONTROL AND PROTECTION STANDARD 701201. BEGIN OPERATING UNDER STAGE II TRAFFIC CONDITIONS.
 2. REMOVE ALL ITEMS SUCH AS AGGREGATE SHOULDERS, GUARDRAIL AND TRAFFIC BARRIER TERMINALS, EXCAVATE, AND REMOVE REMAINING PORTION OF EXISTING STRUCTURE.
 3. CONSTRUCT REMAINING PORTION OF PROPOSED STRUCTURE INCLUDING TYPE SM BRIDGE RAIL AND BITUMINOUS SHOULDERS.
 4. REMOVE ALL TEMPORARY TRAFFIC CONTROL DEVICES AND TEMPORARY CONCRETE BARRIER. PLACE LEVELING BINDER, BITUMINOUS CONCRETE SURFACE COURSE, STEEL PLATE BEAM GUARD RAIL, TRAFFIC BARRIER TERMINALS, STRIPING, FINISH GRADING AND SEEDING. ALL OF THIS WORK WILL BE DONE IN ACCORDANCE WITH STANDARDS 701306, 701311, AND 702001 WITH THE USE OF FLAGMEN AND TYPE I BARRICADES.



REMOVAL SCHEMATIC

- ### LEGEND
- STRUCTURE REMOVAL
 - BITUMINOUS SURFACE REMOVAL (VARIABLE DEPTH)
 - IMPACT ATTENUATOR
 - TYPE III BARRICADE WITH FLASHING LIGHTS
 - EDGE DRUMS WITH STEADY BURNING LIGHTS
 - TYPE C BIDIRECTIONAL REFLECTOR
 - STEADY BURNING LIGHTS AND DOUBLE VERTICAL PANEL
 - TRAFFIC SIGNALS
 - STOP LINE 24"
 - TEMPORARY CONCRETE BARRIER



CONSTRUCTION SCHEMATIC

PLOT DATE = 12/21/2005
 FILE NAME = J:\623236\1012\stg01012.dgn
 PLOT SCALE = 5/8"=1'-0"
 REFERENCE = REF.
 CREATOR = michalski

REVISIONS	
NAME	DATE

ILLINOIS DEPARTMENT OF TRANSPORTATION
STAGE 2 CONSTRUCTION

FAP RTE 840 (IL RTE 49)
 SECTION 136 BR-1
 IROQUOIS COUNTY

SCALE: VERT. _____
 HORIZ. _____
 DATE 10/31/05

DRAWN BY SUTHEARD
 CHECKED BY BOTT

GREENE & BRADFORD, INC.
 OF SPRINGFIELD
 CONSULTING ENGINEERS
 1000 N. WASHINGTON ST.
 SPRINGFIELD, ILLINOIS 62761-1000
 PROFESSIONAL ENGINEER REG. NO. 001-000000
 PROJECT NO. 03236 W012

COMPUTER FILE NO.
 STGW012
 PROJECT 03236 W012
 10/31/05 - MDS