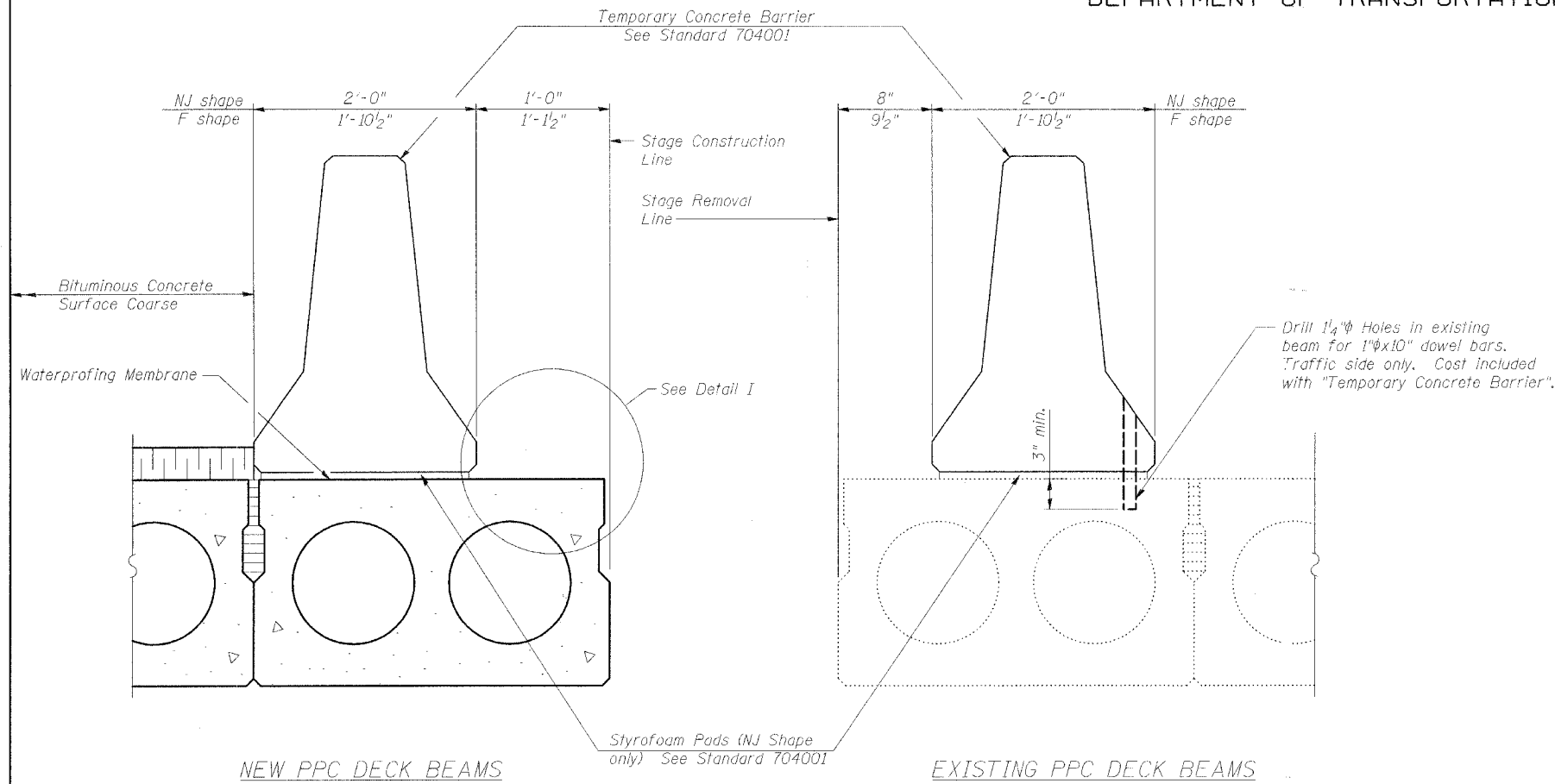


STATE OF ILLINOIS
DEPARTMENT OF TRANSPORTATION

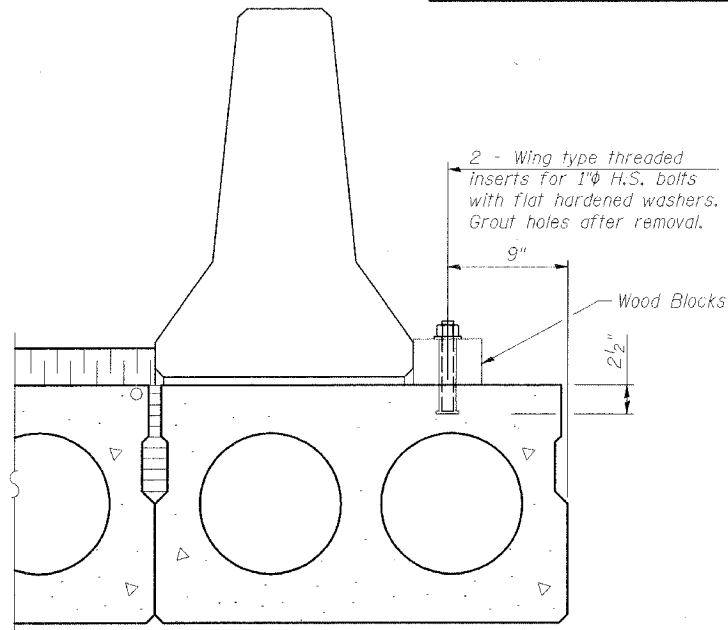
ROUTE NO.	SECTION	COUNTY	TOTAL SHEETS	SHEET NO.
FAP 840	136 BR-1	IROQUOIS	45	13
FED. ROAD DIST. NO.	ILLINOIS	FED. AID PROJECT-		

SHEET NO. 3
9 SHEETS

Contract #66668

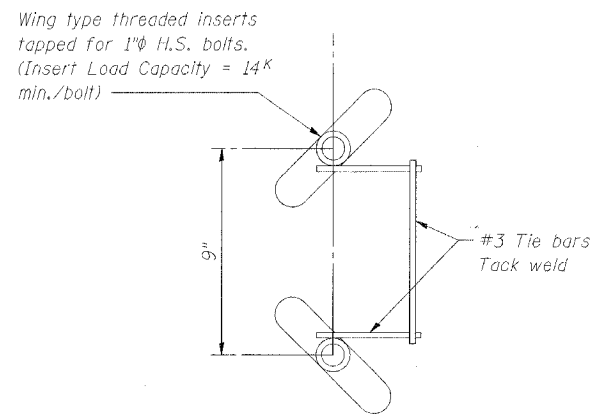


SECTION THRU PPC DECK BEAMS



DETAIL I

The Temporary Concrete Barrier and wood blocks shall not be removed until Stage II Construction PPC Deck Beams have been placed and shear keys grouted.



INSERT DETAIL

NOTES

- The 1" high strength bolts used to connect the wood blocks shall be tightened to a snug fit without crushing the wood block.
- The wing type threaded insert assembly shall be spaced 6'-0" longitudinally.
- The Waterproofing Membrane shall extend under the Temporary Concrete Barrier without the asphalt sand seal protection layer. Once the Temporary Concrete Barrier has been removed, and the penetrating primer, coal tar emulsion, coal tar emulsion and fiberglass fabric, and tar emulsion slurry layers of the Waterproofing Membrane is lapped 6", the asphalt sand seal protection layer shall be applied according to Article 581 of the Standard Specifications.
- The cost for H.S. bolts, flat headed washers, and wood block is included with "Temporary Concrete Barrier".
- The cost for wing type threaded inserts is included with "Precast Prestressed Concrete Deck Beams (21" Depth)".

REVISIONS	
NAME	DATE

ILLINOIS DEPARTMENT OF TRANSPORTATION
**TEMPORARY CONCRETE BARRIER
FOR STAGE CONSTRUCTION**

FAP ROUTE 840 (IL 49) OVER SHAVETAIL CREEK
SECTION 136 BR-1 IROQUOIS COUNTY
STA. 616+84.00
S.N. 038-0093

SCALE: VERT.
HORIZ.
DATE: 9/27/05

DRAWN BY: HEBERLING
DESIGNED BY: SANFORD
CHECKED BY: TRELLO

GREENE & BRADFORD, INC.
OF SPRINGFIELD

CONSULTING ENGINEERS
1000 N. WASHINGTON ST., SUITE 200
SPRINGFIELD, ILLINOIS 62760
PROFESSIONAL ENGINEERS LICENSE NO. 028-00000000
(618) 264-1200 FAX (618) 264-1201 WWW.GREENEANDBRADFORD.COM

COMPUTER FILE NO.
SN038-0093.TCB.dgn
PROJECT 03236 W012
11/3/05-MML

FILE NAME = I:\03236\w012\drawings\sn038-0093\SN038-0093-TCB.dgn
PLOT DATE = 09/22/2005
PLOT TIME = 15:14 PM
OPERATOR = michellel