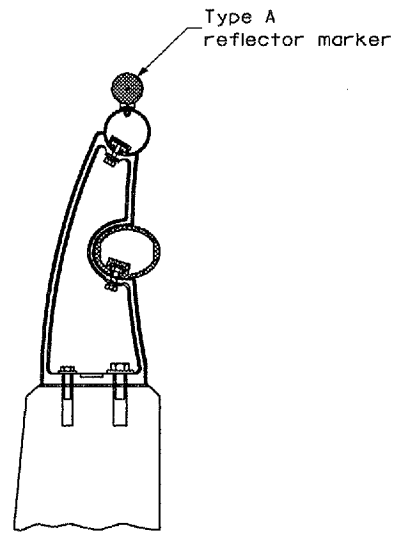
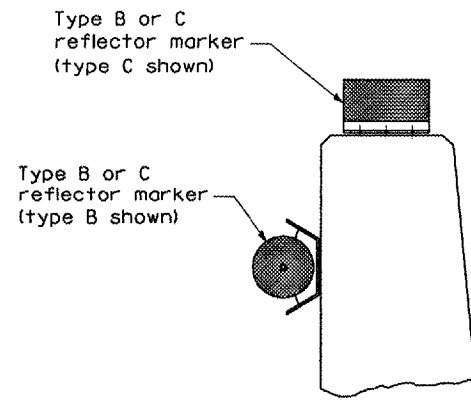


F.A.U. RTE.	SECTION	COUNTY	TOTAL SHEETS	SHEET NO.
6659	*	PEORIA	40	19
STA.		TO STA.		
FED. ROAD DIST. NO.		ILLINOIS FED. AID PROJECT		
*D4 BOX CULVERT EXT 2006				

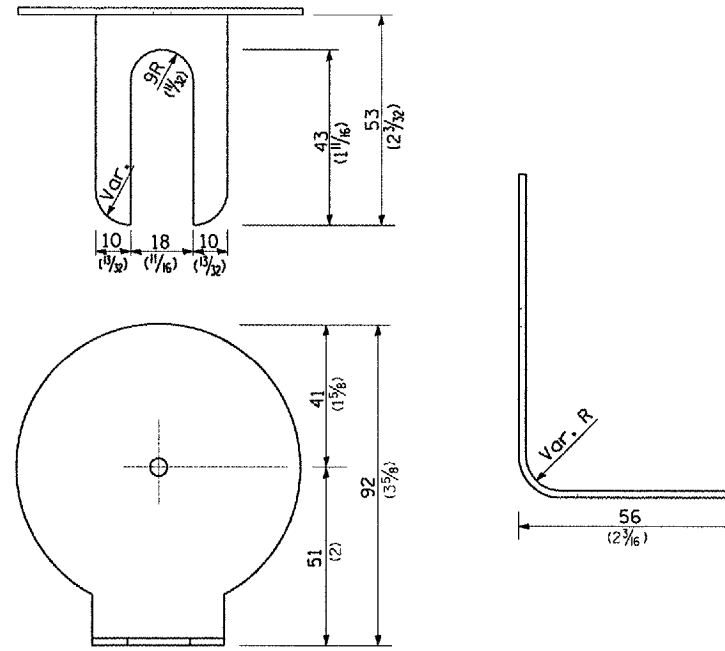


TYPICAL MOUNTING DETAIL FOR BRIDGE RAIL REFLECTOR



TYPICAL MOUNTING DETAIL FOR BARRIER WALL REFLECTOR

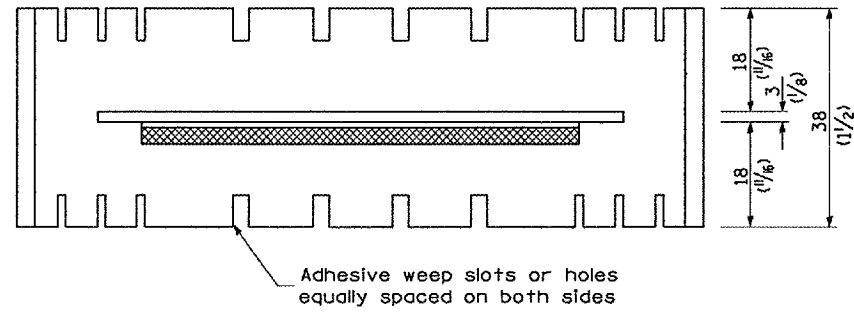
REFLECTOR MOUNTING



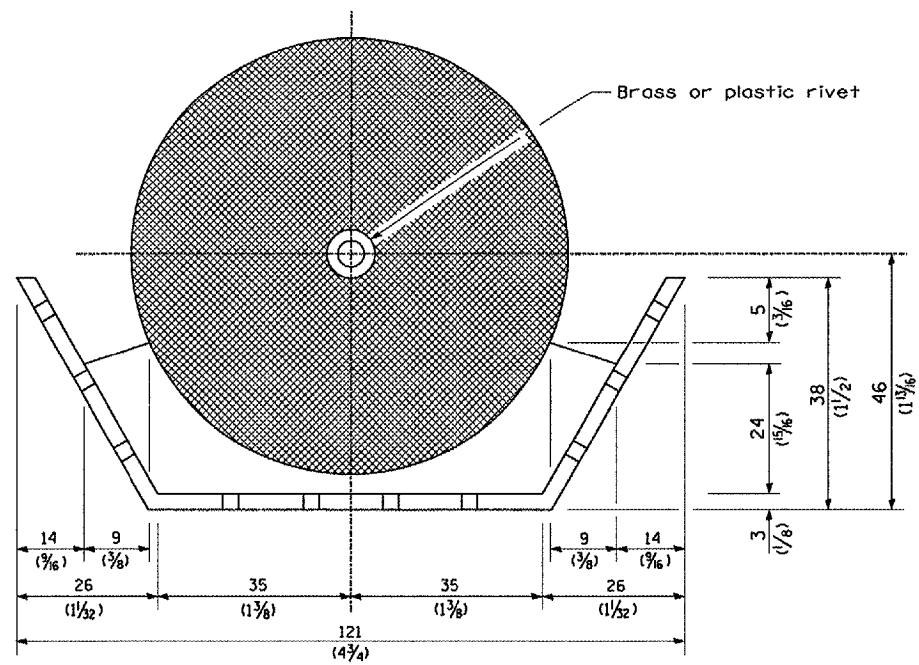
REFLECTOR MARKER TYPE A

Min. reflective area 4,194 mm<sup>2</sup> (6 1/2 Sq. In.) each side. May be rectangular or slight trapezoid.

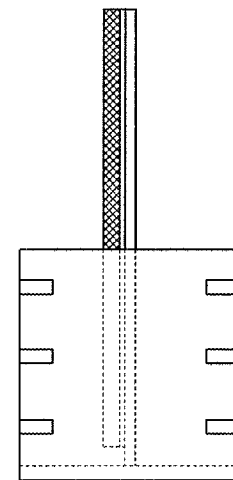
TYPICAL GUARDRAIL MOUNTING WITH REFLECTOR MARKER TYPE A



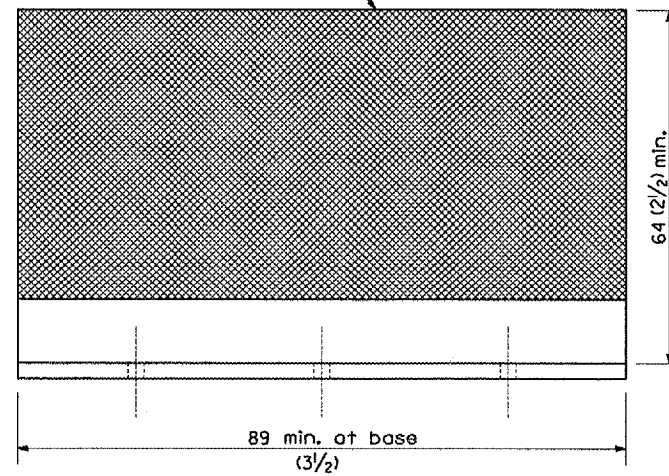
Adhesive weep slots or holes equally spaced on both sides



REFLECTOR MARKER TYPE B

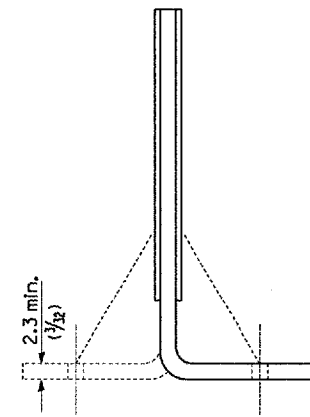


Brass or plastic rivet



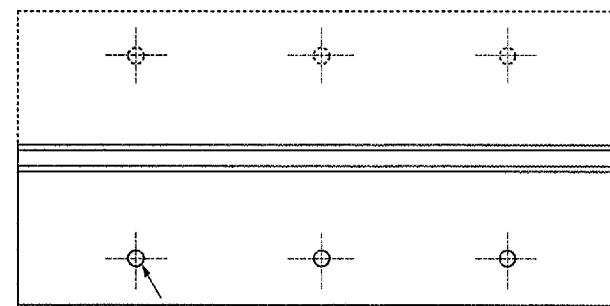
REFLECTOR MARKER TYPE C

3 min. adhesive weep holes or slots each side, variable spacing.



Cross section may be "T" or "L" shaped and may have side supports at ends.

REFLECTORS



Minimum total area of base 4,516 mm<sup>2</sup> (7.0 Sq. In.)

All dimensions are in millimeters (inches) unless otherwise noted.

ILLINOIS DEPARTMENT OF TRANSPORTATION  
DISTRICT CADD STANDARD

GUARDRAIL AND  
BARRIER WALL DELINEATION

CADD STD. NO. 635101-D4 SHEET 3 OF 3  
SCALE: NOT DRAWN TO SCALE DRAWN BY CADD CHECKED BY