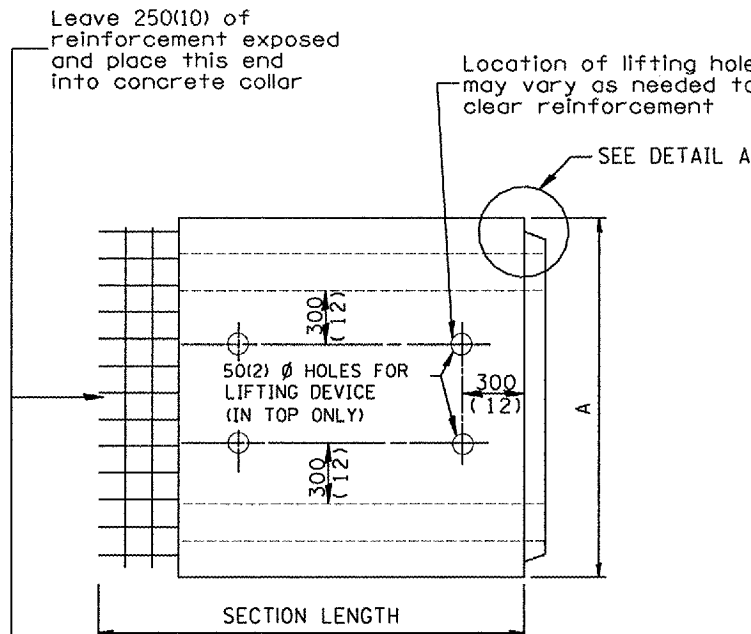
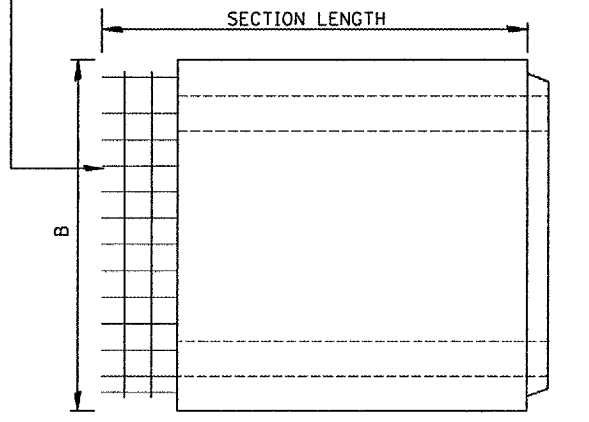


F.A.U. RTE.	SECTION	COUNTY	TOTAL SHEETS	SHEET NO.
6659	*	PEORIA	40	14
STA.		TO STA.		
FED. ROAD DIST. NO.		ILLINOIS FED. AID PROJECT		

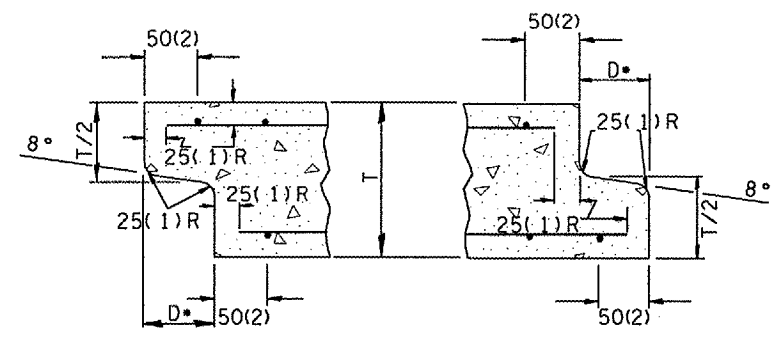
(DIMENSIONS APPLY TO END SECTION AND BOX SECTION DETAILS)



PLAN



ELEVATION

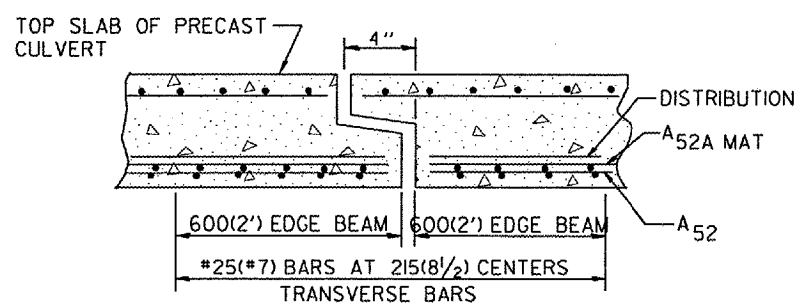


DETAIL A

(TYP. INLET END) (TYP. OUTLET END)

NOTE: inlet and outlet ends shall be compatible.

*The D dimension shall conform to the manufacturer's standards.



TYP. JOINT SHOWING EDGE BEAM REINFORCEMENT

NOTE: The additional Reinforcing Steel required for edge beams shall have the same length as As2A. The required area, As10, may be combined with As2 in a single mat or placed in a separate layer as shown above. The additional Steel may be Welded Wire Fabric or grade 60 Deformed Bars.

(See GENERAL NOTES on sheet 1 of 2)

SPAN X RISE mm (ft)	T mm (in)	A	B	C mm (in)	E mm (in)	F	G	H mm (in)	SLOPE (Y : X)
600x600 (2x2)	100(4)	815(32)	815(32)	100(4)	915(36)	915(36)	305(12)	305(12)	1 : 3
600x900 (2x3)	100(4)	815(32)	1.12m (3'-8")	100(4)	610 (24)	1.22m (4'-0")	510(20)	410(16)	1 : 3
900x600 (3x2)	100(4)	1.12m (3'-8")	815(32)	100(4)	915(36)	915(36)	305(12)	305(12)	1 : 3
900x750 (3x2.5)	100(4)	1.12m (3'-8")	965(38)	100(4)	760(30)	1.07m (3'-6")	410(16)	355(14)	1 : 3
900x900 (3x3)	100(4)	1.12m (3'-8")	1.12m (3'-8")	100(4)	610(24)	1.22m (4'-0")	510(20)	410(16)	1 : 3
1200x600 (4x2)	125(5)	1.48m (4'-10")	865(34)	125(5)	915(36)	915(36)	305(12)	305(12)	1 : 3
1200x900 (4x3)	125(5)	1.48m (4'-10")	1.17m (3'-10")	125(5)	610(24)	1.22m (4'-0")	510(20)	410(16)	1 : 3
1200x1200 (4x4)	125(5)	1.48m (4'-10")	1.48m (4'-10")	125(5)	610(24)	1.22m (4'-0")	610(24)	610(24)	1 : 2
1200x1500 (4x5)	125(5)	1.48m (4'-10")	1.78m (5'-10")	125(5)	610(24)	1.22m (4'-0")	915(36)	610(24)	1 : 2
1200x1800 (4x6)	125(5)	1.48m (4'-10")	2.09m (6'-10")	125(5)	610(24)	1.22m (4'-0")	1.22m (4'-0")	610(24)	1 : 2
1500x600 (5x2)	150(6)	1.83m (6'-0")	915(36)	150(6)	915(36)	915(36)	305(12)	305(12)	1 : 3
1500x900 (5x3)	150(6)	1.83m (6'-0")	1.22m (4'-0")	150(6)	610(24)	1.22m (4'-0")	510(20)	410(16)	1 : 3
1500x1200 (5x4)	150(6)	1.83m (6'-0")	1.52m (5'-0")	150(6)	610(24)	1.22m (4'-0")	610(24)	610(24)	1 : 2
1500x1500 (5x5)	150(6)	1.83m (6'-0")	1.83m (6'-0")	150(6)	610(24)	1.22m (4'-0")	915(36)	610(24)	1 : 2
1800x600 (6x2)	175(7)	2.17m (7'-2")	965(38)	175(7)	915(36)	915(36)	305(12)	305(12)	1 : 3
1800x900 (6x3)	175(7)	2.17m (7'-2")	1.27m (4'-2")	175(7)	610(24)	1.22m (4'-0")	510(20)	410(16)	1 : 3
1800x1200 (6x4)	175(7)	2.17m (7'-2")	1.57 (5'-2")	175(7)	610(24)	1.22m (4'-0")	610(24)	610(24)	1 : 2
1800x1500 (6x5)	175(7)	2.17m (7'-2")	1.88m (6'-2")	175(7)	610(24)	1.22m (4'-0")	915(36)	610(24)	1 : 2
1800x1800 (6x6)	175(7)	2.17m (7'-2")	2.17m (7'-2")	175(7)	610(24)	1.22m (4'-0")	1.22m (4'-0")	610(24)	1 : 2
2100x1200 (7x4)	200(8)	2.54m (8'-4")	1.63m (5'-4")	200(8)	610(24)	1.22m (4'-0")	610(24)	610(24)	1 : 2
2100x1500 (7x5)	200(8)	2.54m (8'-4")	1.93m (6'-4")	200(8)	610(24)	1.22m (4'-0")	915(36)	610(24)	1 : 2
2100x1800 (7x6)	200(8)	2.54m (8'-4")	2.24m (7'-4")	200(8)	610(24)	1.22m (4'-0")	1.22m (4'-0")	610(24)	1 : 2
2100x2100 (7x7)	200(8)	2.54m (8'-4")	2.54m (8'-4")	200(8)	610(24)	1.22m (4'-0")	1.52m (5'-0")	610(24)	1 : 2
2400x1200 (8x4)	200(8)	2.84m (9'-4")	1.63m (5'-4")	200(8)	610(24)	1.22m (4'-0")	610(24)	610(24)	1 : 2
2400x1500 (8x5)	200(8)	2.84m (9'-4")	1.93m (6'-4")	200(8)	610(24)	1.22m (4'-0")	915(36)	610(24)	1 : 2
2400x1800 (8x6)	200(8)	2.84m (9'-4")	2.24m (7'-4")	200(8)	610(24)	1.22m (4'-0")	1.22m (4'-0")	610(24)	1 : 2
2700x1500 (9x5)	225(9)	3.2m (10'-6")	1.98m (6'-6")	225(9)	610(24)	1.22m (4'-0")	915(36)	610(24)	1 : 2
2700x1800 (9x6)	225(9)	3.2m (10'-6")	2.29m (7'-6")	225(9)	610(24)	1.22m (4'-0")	1.22m (4'-0")	610(24)	1 : 2

All dimensions are in millimeters (inches) unless otherwise noted.

ILLINOIS DEPARTMENT OF TRANSPORTATION
DISTRICT CADD STANDARD
 PRECAST CONCRETE BOX CULVERTS (SPECIAL), END SECTION (SPECIAL), & DROP BOX END SECTIONS (SPECIAL)
 CADD STANDARD 540401-D4(2) SCALE: NOT TO SCALE
 DRAWN BY CADD CHECKED BY SHEET 2 OF 2

\$\$\$DATE\$\$\$