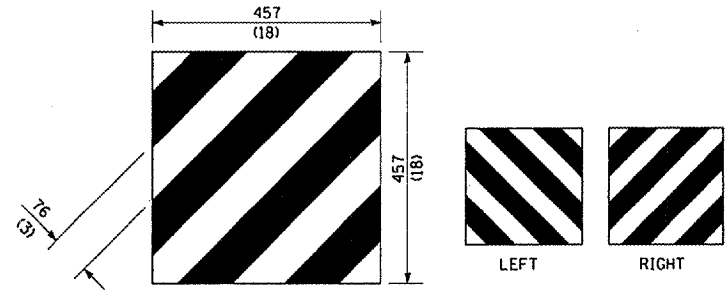
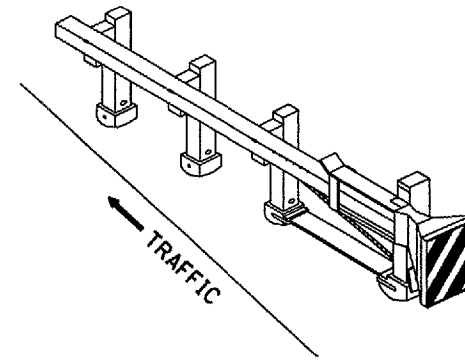


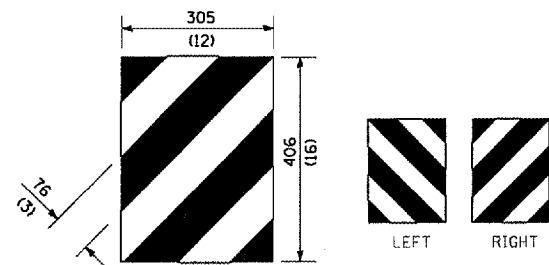
F.A.L.L. RTE.	SECTION	COUNTY	TOTAL SHEETS	SHEET NO.
6659		PEORIA	40	18
STA.		TO STA.		
FED. ROAD DIST. NO.		ILLINOIS	FED. AID PROJECT	
*04 BOX CULVERT EXT 2006				



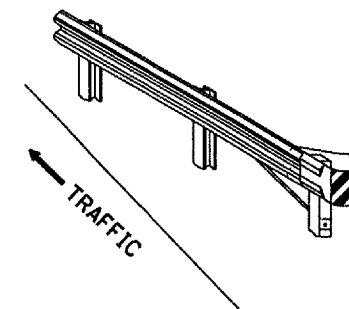
For Traffic Barrier Terminal Type 1 (Special)



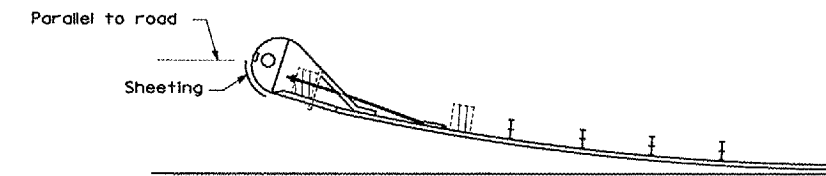
Standard Treatment - Direct Applied Sheeting  
Traffic Barrier Terminal Type 1 (Special)



For Traffic Barrier Terminal Type (\*)  
and Post Mount  
• See Plans for Type



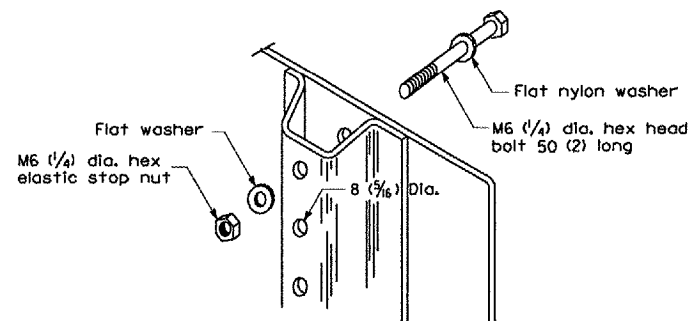
Standard Treatment - Direct Applied Sheeting  
Traffic Barrier Terminal Type (\*)  
• See Plans for Type



Sheeting Position for  
Traffic Barrier Terminal Type (\*)  
• See Plans for Type

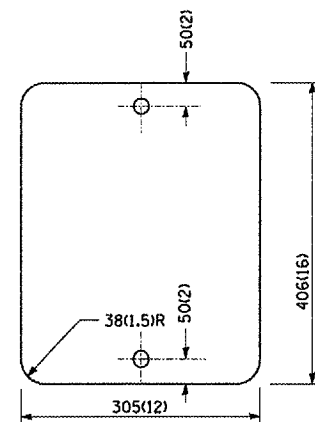
**TERMINAL MARKER DETAILS**

- Color: Black / Yellow reflectorized
- OM - I100 (L or R) Direct applied reflective sheeting
- OM - I200 (L or R) Post mounted

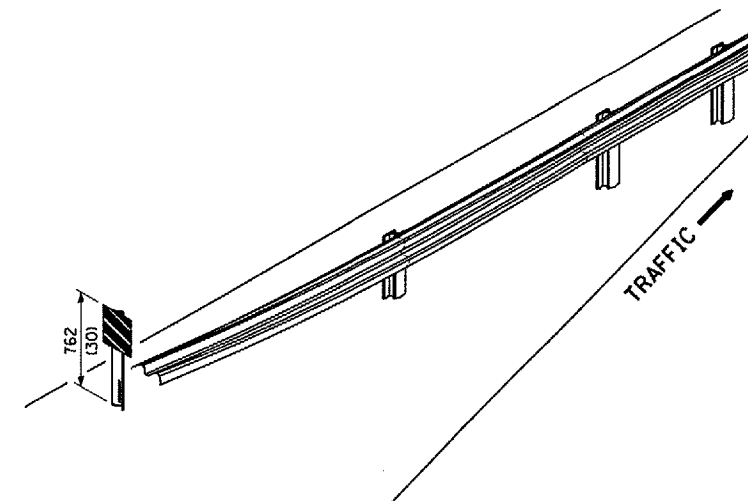


DETAIL OF MOUNTING TERMINAL MARKER TO POST

POST MOUNTED TERMINAL MARKER ASSEMBLY



STANDARD TERMINAL MARKER



ALTERNATE TREATMENT - POST MOUNTED  
(For turned-down terminal where sheeting cannot be direct applied)

**TERMINAL MARKER TREATMENTS**

**GENERAL NOTES**

All dimensions are in millimeters (Inches) unless otherwise noted.

ILLINOIS DEPARTMENT OF TRANSPORTATION  
DISTRICT CADD STANDARD

GUARDRAIL AND  
BARRIER WALL DELINEATION

CADD STD. NO. 635101-D4 SHEET 2 OF 3  
SCALE: NOT DRAWN TO SCALE DRAWN BY CADD  
CHECKED BY

\$\$\$DATE\$\$\$