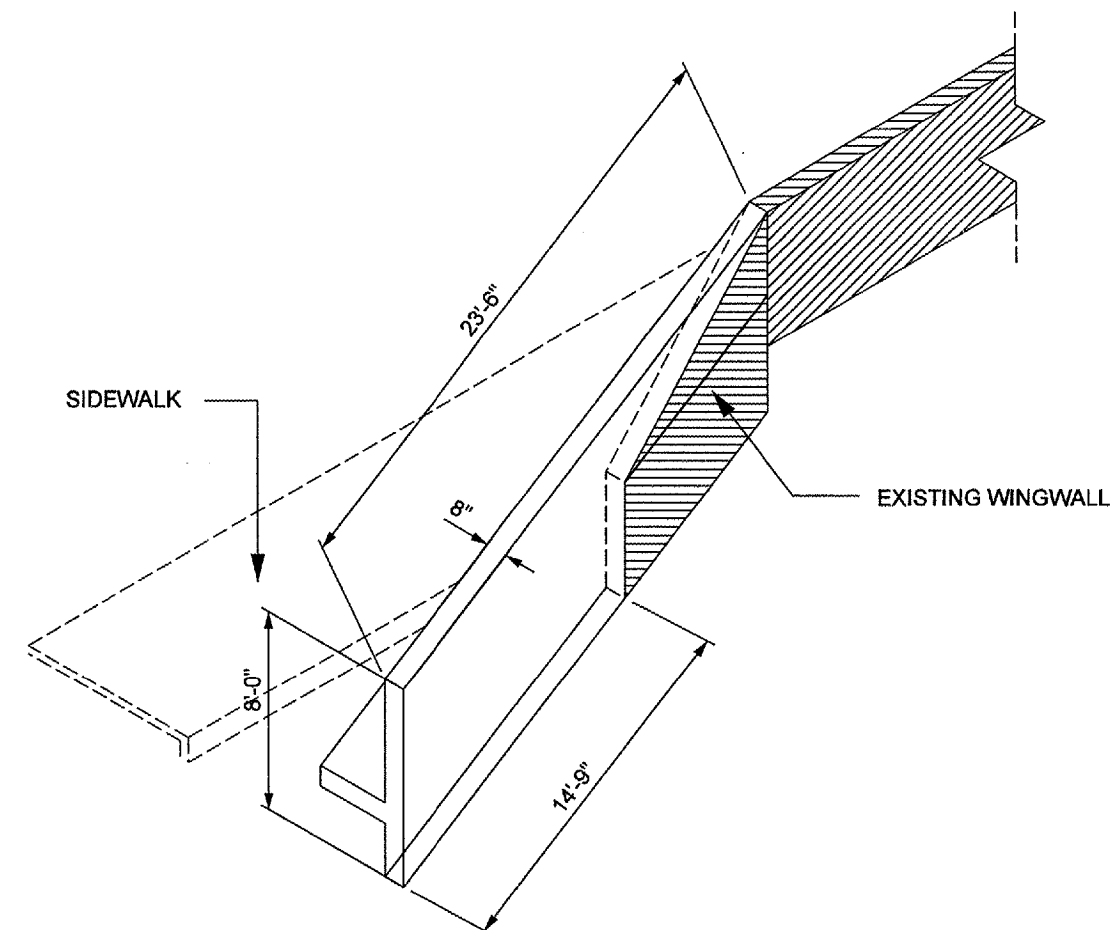


F.A.P. RTE.	SECTION	COUNTY	TOTAL SHEETS	SHEET NO.
646	*	PEORIA	30	14
STA.	TO STA.			
FED. ROAD DIST. NO.	ILLINOIS	FED. AID PROJECT		

• D4 SLOPE REPAIR 2006



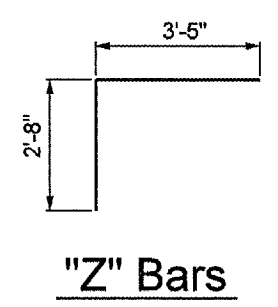
WINGWALL ISOMETRIC

BILL OF MATERIAL

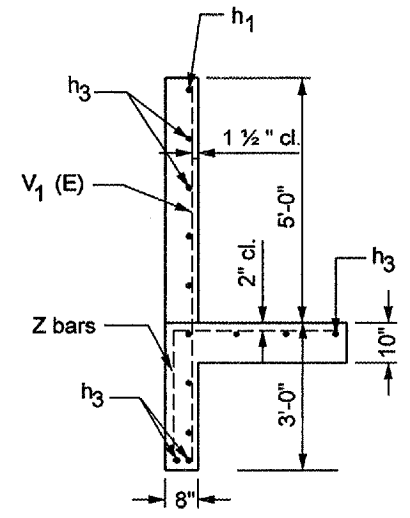
Bar	No.	Size	Length	Shape
h_1	1	#4	23'-4"	—
h_3	12	#4	14'-4"	—
$v_1(E)$	16	#4	7'-8"	—
v_2	6	#4	1'-1"	—
Z	16	#4	6'-1"	┌
Class SI Concrete			Cu. Yd.	4.5
Reinforcement Bars, Epoxy Coated			Pound	82.0
Reinforcement Bars			Pound	200.0
Tie Bars			Each	7.0

DESIGN STRESSES

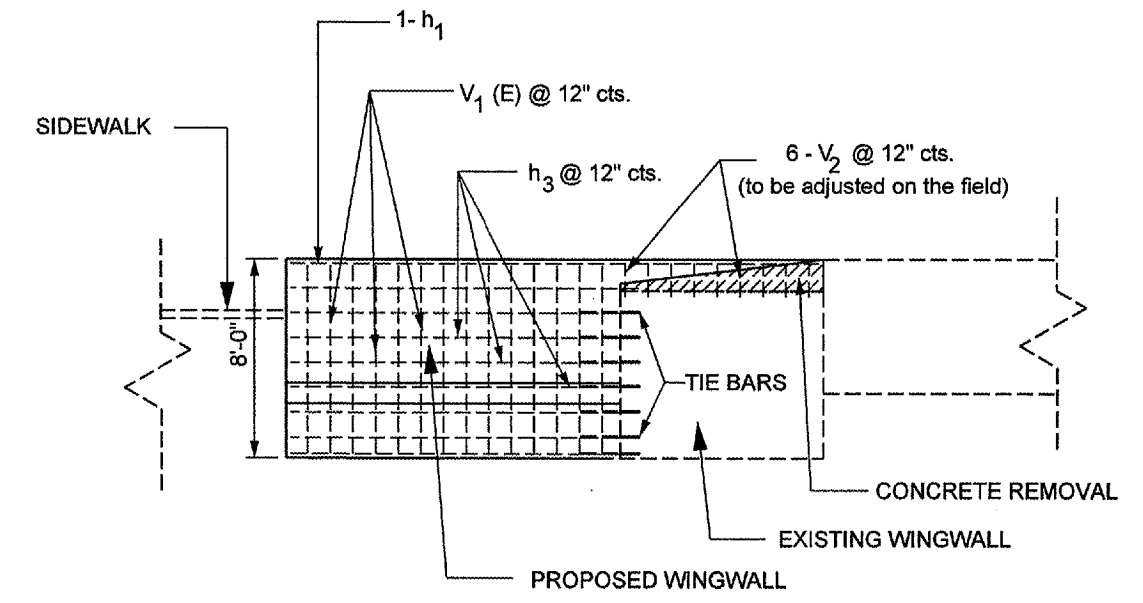
$f_y = 60,000$ psi
 $f_c = 3,500$ psi
 Max. Soil Pressure at the toe = 1,923 psf



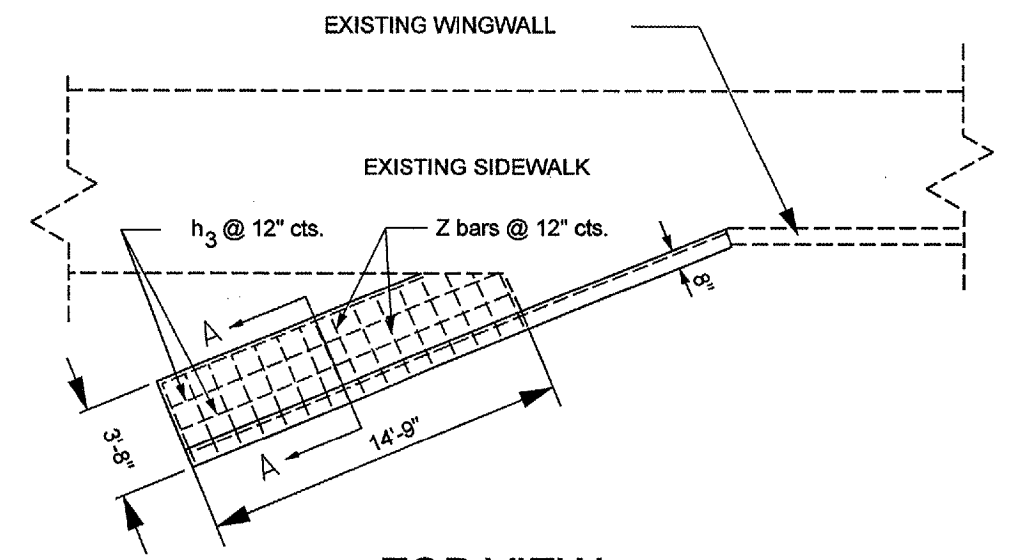
"Z" Bars



SECTION A-A



FRONT VIEW



TOP VIEW

REVISIONS	
NAME	DATE

ILLINOIS DEPARTMENT OF TRANSPORTATION
WINGWALL DETAILS
 SCALE: _____ DATE: _____ DRAWN BY: _____ CHECKED BY: _____

PLOT DATE 12/1/2005
 FILE NAME c:\projects\140fh\11\plensheet3.dgn
 PLOT SCALE 23.2941 / IN.
 USER NAME c-respole