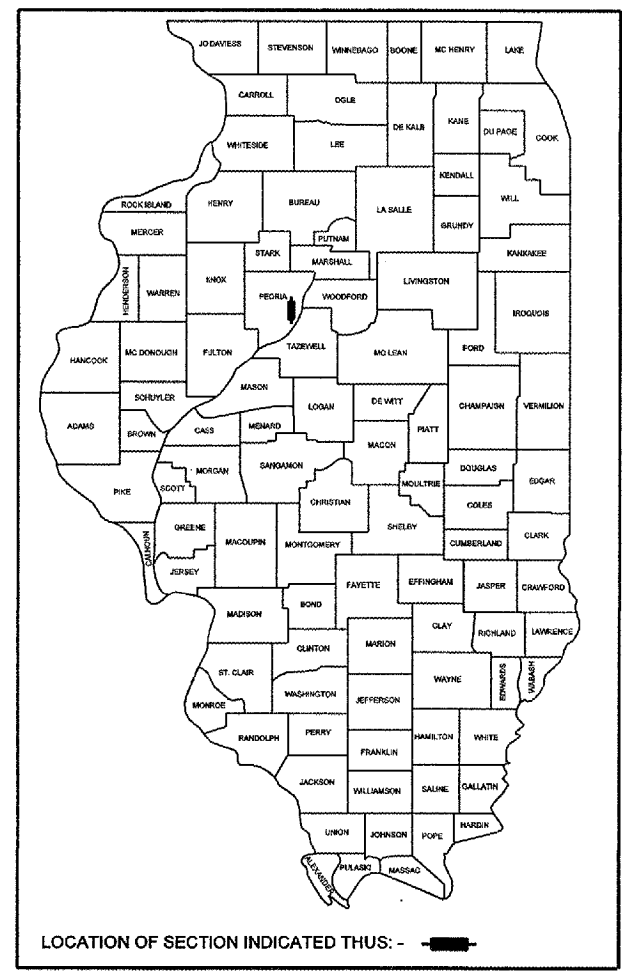


68389

F.A.P. RTE.	SECTION	COUNTY	TOTAL SHEETS	SHEET NO.
646	*	PEORIA	30	1

* D4 SLOPE REPAIR 2006

D-94-023-04



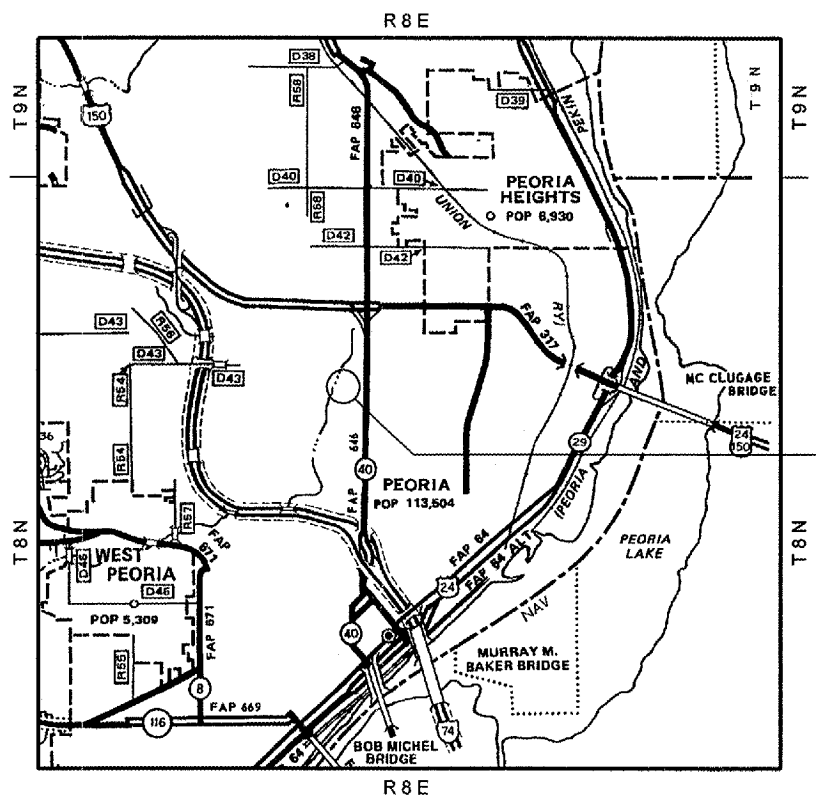
LOCATION OF SECTION INDICATED THUS: - [shaded box] -

STATE OF ILLINOIS
DEPARTMENT OF TRANSPORTATION

DIVISION OF HIGHWAYS

PROPOSED HIGHWAY PLANS

F.A.P. ROUTE 646 (IL 40)
D4 SLOPE REPAIR 2006
PEORIA COUNTY
C-94-032-04



PROJECT LOCATION
STA 266+36 TO 267+43

GROSS LENGTH OF SECTION = 107 FEET = 0.02 MI
NET LENGTH OF SECTION = 107 FEET = 0.02 MI

- INDEX OF SHEETS**
- COVER SHEET
 - GENERAL NOTES
 - SUMMARY OF QUANTITIES
 - STATUS OF UTILITIES
 - 5-6. SCHEDULE OF QUANTITIES
 - EXISTING PLAN & REMOVALS
 - PROPOSED PLAN
 - PARKING LOT DETAILS
 - 10-13. SLOPE WALL DETAIL
 14. WINGWALL DETAILS
 - 15-28. CROSS SECTION
 - 29-30. DISTRICT STANDARDS

STANDARDS

- 701001-01
- 701801-03
- 702001-05

PROJECT DESCRIPTION

THIS PROJECT CONSISTS OF THE REMOVAL AND REPLACEMENT OF A PORTION OF THE SLOPEWALL AND CONSTRUCTION OF A RIPRAP LINING AT THE DITCH LOCATION SHOWN ON THE PLANS.

ADT = 29,400
MU = 1.5%
SU = 2.7%

J.U.L.I.E.
JOINT UTILITY LOCATION INFORMATION FOR EXCAVATION
1-800-892-0123

CONTRACT NO. 68389
CATALOG NO. 032880-00D

STATE OF ILLINOIS
DEPARTMENT OF TRANSPORTATION
DIVISION OF HIGHWAYS

SUBMITTED: *DEC 23 2005*
[Signature]
DEPUTY DIRECTOR OF HIGHWAYS, REGION ENGINEER

February 3, 2006
[Signature]
ENGINEER OF DESIGN AND ENVIRONMENT

February 3, 2006
[Signature]
DIRECTOR OF HIGHWAYS, CHIEF ENGINEER

PRINTED BY THE AUTHORITY
OF THE STATE OF ILLINOIS

PROJECT ENGINEER: MAUREEN ADDIS (309) 671-3454

DESIGNER: LEONEL CRESPO (309) 671-3459

F.A.P. RTE.	SECTION	COUNTY	TOTAL SHEETS	SHEET NO.
646	*	PEORIA	30	2

* D4 SLOPE REPAIR 2006

COMMITMENTS

The Contractor shall notified GRACE PRESBYTERIAN CHURCH (Gregory J. Tiemeier, Business Administrator, Tel. 309-688-3641, ext. 217) prior to the beginning of the construction to coordinate the removal of the retaining wall.

GENERAL NOTES

ENVIRONMENTAL REVIEWS

Prior to the use of any proposed borrow areas, use areas (temporary access roads, detours, run-arounds, etc.) and/or waste areas, the Contractor shall file the required environmental resource request surveys according to Section 107.22 of the Standard Specifications. These surveys are required in order for the Department to conduct cultural and biological resource surveys for the proposed site.

Prior to any waste materials being removed from the construction site the required environmental resource surveys will need to be obtained and filed by the Contractor. Excess waste products removed from the construction site shall be disposed of as required in Section 202.03 of the Standard Specifications.

Any protruding metal bars shall be removed prior to the disposal of broken concrete at approved disposal sites.

The required environmental resource documentation shall include the following:

- * BDE Form 2289 (Environmental Survey Request)
- * A location map showing the size limits and location of the use area
- * Signed property owner agreement form
- * Color photographs depicting the use area

Please note that a minimum of two weeks shall be allowed for the District to obtain the required environmental clearances.

UTILITIES - LOCATIONS / INFORMATION ON PLANS

The locations of existing water mains, gas mains, sewers, electric power lines, telephone lines and other utilities as shown on the plans are based on careful field investigation and the best information available, but they are not guaranteed. Unless elevations are shown --- all utility locations shown on the cross sections are based on the approximate depth supplied by the utility company. It shall be the Contractor's responsibility to ascertain their exact location from the utility companies and by field inspection.

PLAN ELEVATIONS - U. S. G. S. MEAN SEA LEVEL DATUM

All elevations shown on the plans are established from U. S. G. S. mean sea level datum.

JOB SPECIFIC NOTES

RETAINING WALL

Retaining wall removal and replacement including pipe underdrains and pipe underdrains special will be constructed by GRACE PRESBYTERIAN CHURCH.

PARKING LOT REPAIR

The following pay items will be used only if the parking area inside the Temporary Easement is damaged during the slope repair.

- * Bituminous Material (Prime Coat)
- * Aggregate (Prime Coat)
- * Bituminous Surface Removal 2"
- * Bituminous Concrete Surface Course, Superpave, Mix C, N50 (Non QC/QA)
- * Paint Pavement Marking - Line 4"

BITUMINOUS CONCRETE MIXTURE REQUIREMENTS

The following mixture requirements are applicable to this project:

Mixture Uses	Bit. Conc. Surf. Crs. , Superpave, Mix C, N50 (Non QC/QA)
AC/PG:	PG 64-22
Rap% (Max):*	155%
Design Air Voids:	4.25% @ N=50
Mixture Composition: (Gradation Mixture)	IL 9.5 or 12.5
Friction Aggregate:	MIX C

REVISIONS	
NAME	DATE

ILLINOIS DEPARTMENT OF TRANSPORTATION

**COMMITMENTS
AND
GENERAL NOTES**

SUMMARY OF QUANTITIES

CODE NO.	ITEM	UNIT	URBAN TOTAL QUANTITY Y009
20200100	EARTH EXCAVATION	CU YD	58
21101615	TOPSOIL FURNISH & PLACE, 4"	SQ YD	96
25000400	NITROGEN FERTILIZER NUTRIENT	POUND	2
25000500	PHOSPHORUS FERTILIZER NUTRIENT	POUND	2
25000600	POTASSIUM FERTILIZER NUTRIENT	POUND	2
25002300	TEMPORARY SEEDING	ACRE	0.02
25200100	SODDING	SQ YD	96
25200200	SUPPLEMENTAL WATERING	UNIT	4.8
28100107	STONE RIPRAP, CLASS A4	SQ YD	166
28200200	FILTER FABRIC	SQ YD	171
28400100	GABIONS	CU YD	5
40600200	BITUMINOUS MATERIAL (PRIME COAT)	TON	0.22
40600300	AGGREGATE (PRIME COAT)	TON	1.1

CODE NO.	ITEM	UNIT	URBAN TOTAL QUANTITY Y009
44000007	BITUMINOUS SURFACE REMOVAL 2"	SQ YD	550
50102400	CONCRETE REMOVAL	CU YD	0.13
50104650	SLOPE WALL REMOVAL	SQ YD	137
50800105	REINFORCEMENT BARS	POUND	200
50800205	REINFORCEMENT BARS, EPOXY COATED	POUND	82
51100300	SLOPE WALL, 6 INCH	SQ YD	156
67100100	MOBILIZATION	L SUM	1
70102640	TRAFFIC CONTROL AND PROTECTION, STANDARD 701801	L SUM	1
* 78001110	PAINT PAVEMENT MARKING - LINE 4"	FOOT	320
XX002909	CLASS SI CONCRETE	CU YD	4.5
XX005557	BITUMINOUS CONCRETE SURFACE COURSE, SUPERPAVE, MIX C, N50 (NON QC/QA)	TON	64
Z0013798	CONSTRUCTION LAYOUT	L SUM	1
Z0075300	TIE BARS	EACH	7

REVISIONS	
NAME	DATE

ILLINOIS DEPARTMENT OF TRANSPORTATION

SUMMARY OF QUANTITIES

F.A.P. RTE	SECTION	COUNTY	TOTAL SHEETS	SHEET NO.
646	*	PEORIA	30	4

* D4 SLOPE REPAIR 2006

STATUS OF UTILITIES

GREATER PEORIA SANITARY DISTRICT					
Route	Offset	Location	Type of Utility	Type of Conflict	Disposition
IL 40	85 Ft, Rt.	Sta. 266+90	Sanitary Manhole	RipRap	Adjust
IL 40	85 Ft, Rt.	Sta. 266+90 to 267+50	Sanitary Main	RipRap / Gavions	Caution

CITY OF PEORIA					
Route	Offset	Location	Type of Utility	Type of Conflict	Disposition
IL 40	93 Ft., Rt. to 115 Ft., Rt.	Sta. 266+40	Buried Electric	Wingwall	Relocate

FOR INFORMATION ONLY WORK TO BE DONE BY GRACE PRESBYTERIAN CHURCH

PIPE UNDERDRAINS 4"	
LOCATION	FOOT
STA 266+75.18 TO STA 267+01 (WEST WALL)	36
TOTAL	36

RETAINING WALL REMOVAL	
LOCATION	SQ FT
STA. 266 + 37.55 TO STA. 267+01	188
TOTAL	188

PIPE UNDERDRAINS 4" (SPECIAL)	
LOCATION	FT
STA 267+00	2
TOTAL	2

MODULAR RETAINING WALL SYSTEM	
LOCATION	SQ FT
STA 266+75.18 TO 267+01 (WEST WALL)	90
TOTAL	90

REVISIONS	
NAME	DATE

ILLINOIS DEPARTMENT OF TRANSPORTATION

FOR INFORMATION ONLY

SCHEDULE OF QUANTITIES

CODE NO.	25000400	25000500	25000600	25200200	21101615	25200100	25002300
PAY ITEMS	NITROGEN FERTILIZER NUTRIENT	PHOSPHORUS FERTILIZER NUTRIENT	POTASSIUM FERTILIZER NUTRIENT	SUPPLEMENTAL WATERING	TOPSOIL FURNISH & PLACE, 4"	SODDING	TEMPORARY SEEDING
LOCATION	POUND	POUND	POUND	UNIT	SQ YD	SQ YD	ACRE
STA 266+37.50 TO 267+08.25	2	2	2	4.8	96	96	0.02
TOTAL	2	2	2	4.8	96	96	0.02

50800105	
REINFORCEMENT BARS	
LOCATION	POUND
STA. 266+36.23 TO STA. 266+45.60	200
TOTAL	
200	

20200100	
EARTH EXCAVATION	
LOCATION	CU YD
STA 266+36.23 TO 267+40	58
TOTAL	
58	

28400100	
GABIONS	
LOCATION	CU YD
STA. 267+40 - 267+43	5
TOTAL	
5	

50800205	
REINFORCEMENT BARS, EPOXY COATED	
LOCATION	POUND
STA. 266+36.23 TO STA. 266+45.60	82
TOTAL	
82	

28100107	
STONE RIPRAP, CLASS A4	
LOCATION	SQ YD
STA 266+36.23 TO STA 267+40	166
TOTAL	
166	

50102400	
CONCRETE REMOVAL	
LOCATION	CU YD
STA 266+36.23 TO STA 266+39.67	0.13
TOTAL	
0.13	

51100300	
SLOPE WALL, 6 INCH	
LOCATION	SQ YD
STA 266+37 TO STA. 267+02 (WEST WALL)	93
STA 266+59 TO STA. 267+01 (EAST WALL)	50
STA 266+37 TO STA. 266+53 (EAST WEDGE)	13
TOTAL	
156	

28200200	
FILTER FABRIC	
LOCATION	SQ YD
STA 266+36.23 TO 267+43	171
TOTAL	
171	

50104650	
SLOPE WALL REMOVAL	
LOCATION	SQ YD
STA 266+37 TO STA. 267+02 (WEST WALL)	74
STA 266+59 TO STA. 267+01 (EAST WALL)	50
STA 266+37 TO STA. 266+53 (EAST WEDGE)	13
TOTAL	
137	

REVISIONS	
NAME	DATE

F.A.P. RTE.	SECTION	COUNTY	TOTAL SHEETS	SHEET NO.
846	*	PEORIA	30	6

* D4 SLOPE REPAIR 2006

SCHEDULE OF QUANTITIES

CODE NO.	40600200	40600300	44000007	78001110	XX005557
PAY ITEMS	BITUMINOUS MATERIAL (PRIME COAT)	AGGREGATE (PRIME COAT)	BITUMINOUS SURFACE REMOVAL 2"	PAINT PAVEMENT MARKING LINE 4"	BITUMINOUS CONCRETE SURFACE COURSE, SUPERPAVE, MIX C, N50 (NON QC/QA)
LOCATION	TON	TON	SQ YD	FOOT	TON
PARKING LOT	0.22	1.1	550	96	64
TOTAL	0.22	1.1	550	96	64

XX002909	
CLASS SI CONCRETE	
LOCATION	CU YD
STA. 266+36.23 TO STA. 266+45.60	4.5
TOTAL	4.5

67100100	
MOBILIZATION	
LOCATION	L SUM
JOBSITE	1
TOTAL	1

Z0013798	
CONSTRUCTION LAYOUT	
LOCATION	L SUM
JOBSITE	1
TOTAL	1

70102640	
TRAFFIC CONTROL AND PROTECTION, STANDARD 701801	
LOCATION	L SUM
JOBSITE	1
TOTAL	1

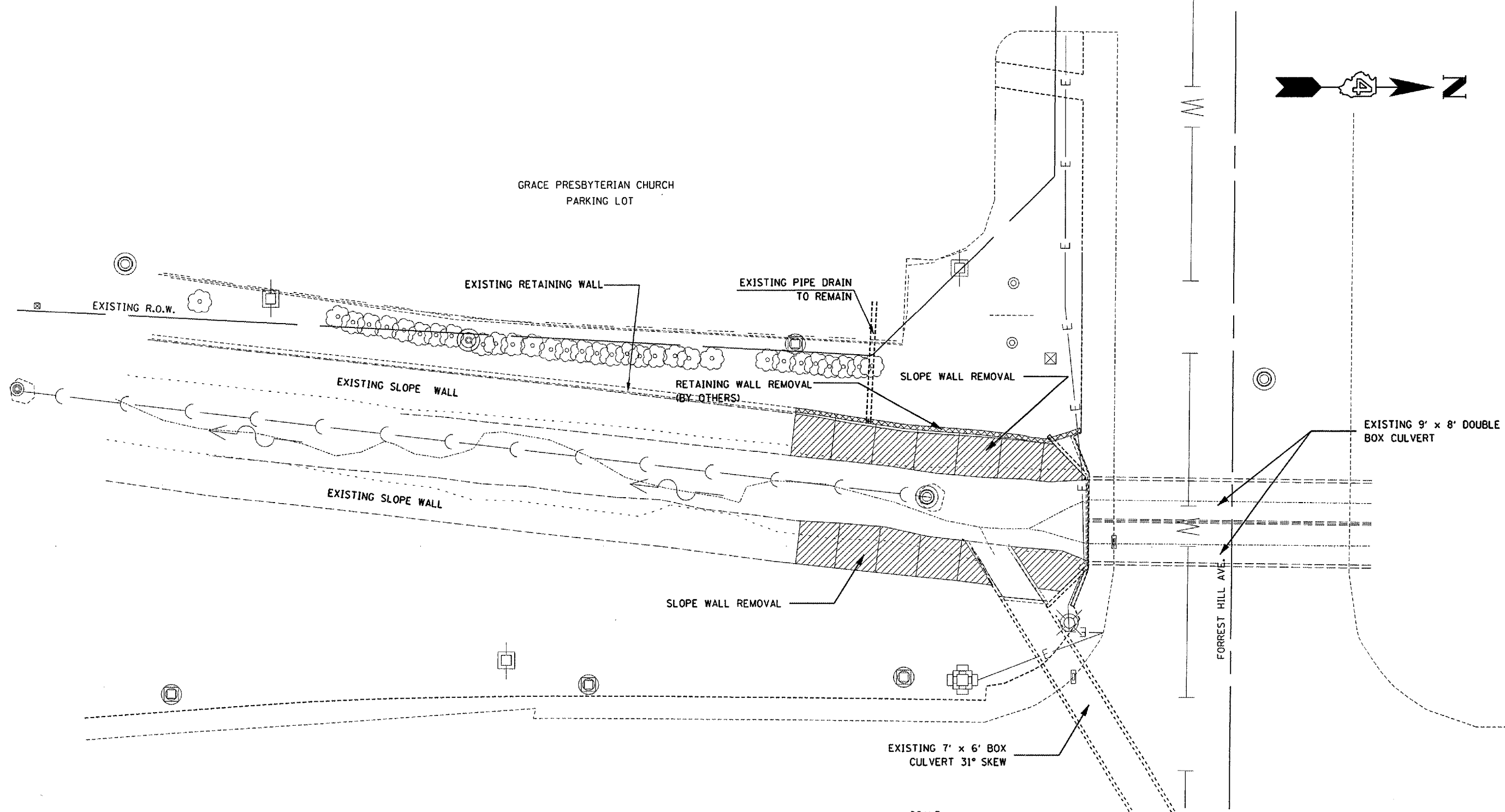
Z0075300	
TIE BARS	
LOCATION	EACH
STA. 266+39.67 (WINGWALL)	7
TOTAL	7

REVISIONS	
NAME	DATE

ILLINOIS DEPARTMENT OF TRANSPORTATION

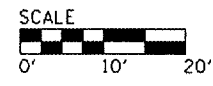
SCHEDULE OF QUANTITIES

F.A.P. RTE.	SECTION	COUNTY	TOTAL SHEETS	SHEET NO.
646		PEORIA	30	7
STA.	TO STA.			
FED. ROAD DIST. NO.	ILLINOIS	FED. AID PROJECT		
• D4 SLOPE REPAIR 2006				



268+50 268+00 267+50 267+00 266+50

IL 40 (KNOXVILLE AVE.)



REVISIONS	
NAME	DATE

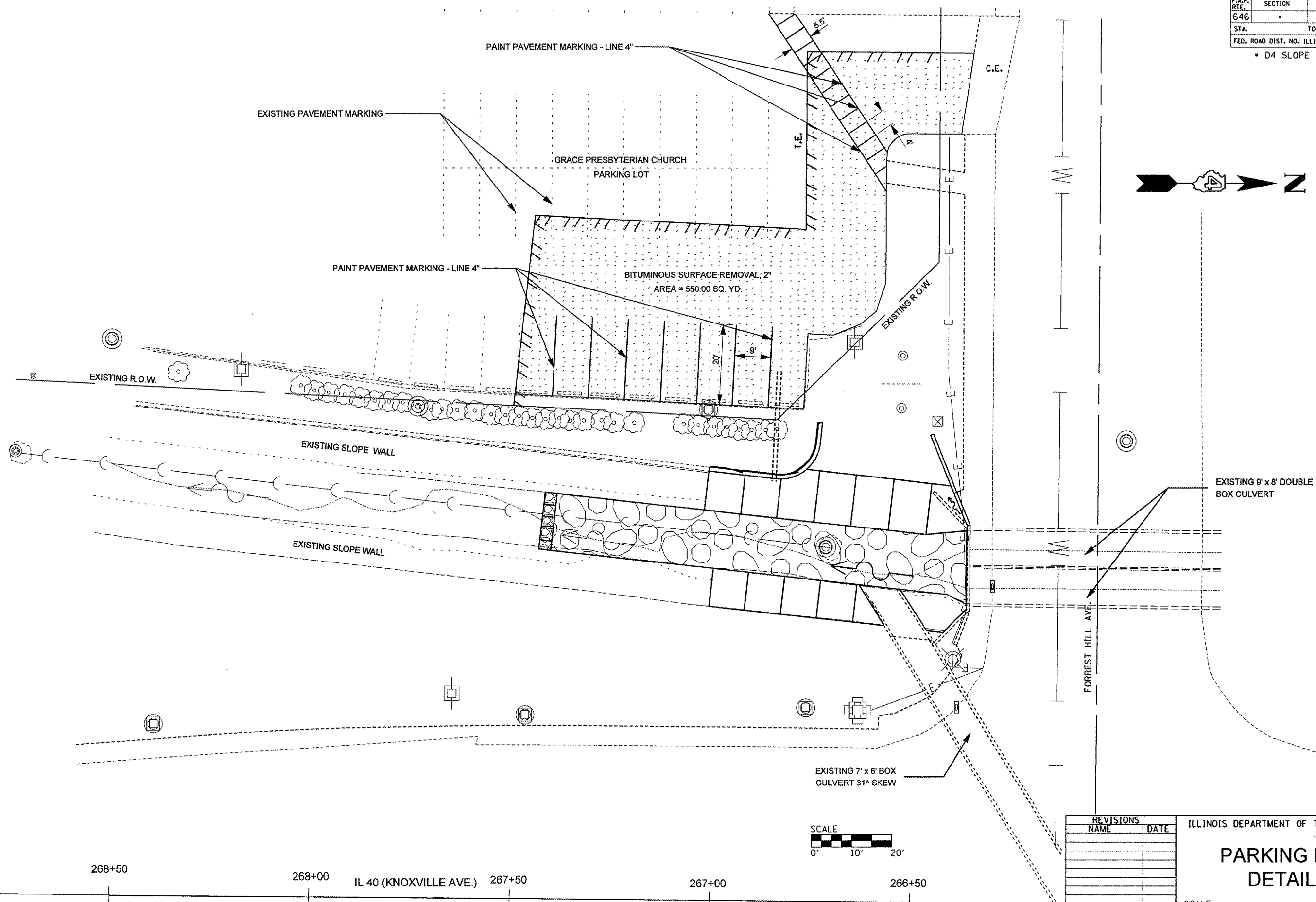
ILLINOIS DEPARTMENT OF TRANSPORTATION

EXISTING PLAN & REMOVALS

SCALE: DRAWN BY
DATE CHECKED BY

PLOT DATE = 12/1/2005
FILE NAME = c:\projects\140fhull\plotsheet3.dgn
PLOT SCALE = 23.2941' / IN.
USER NAME = crespole

F.A.P. RTE.	SECTION	COUNTY	TOTAL SHEETS	SHEET NO.
646	*	PEORIA	30	9
STA.	TO STA.			
FED. ROAD DIST. NO.	ILLINOIS	FED. AID PROJECT		
* D4 SLOPE REPAIR 2006				



PLOT DATE = 12/1/2005
 FILE NAME = c:\projects\1140fh\11\plansheet3.dgn
 PLOT SCALE = 23.2941' / IN.
 USER NAME = c-respole

REVISIONS	
NAME	DATE

ILLINOIS DEPARTMENT OF TRANSPORTATION

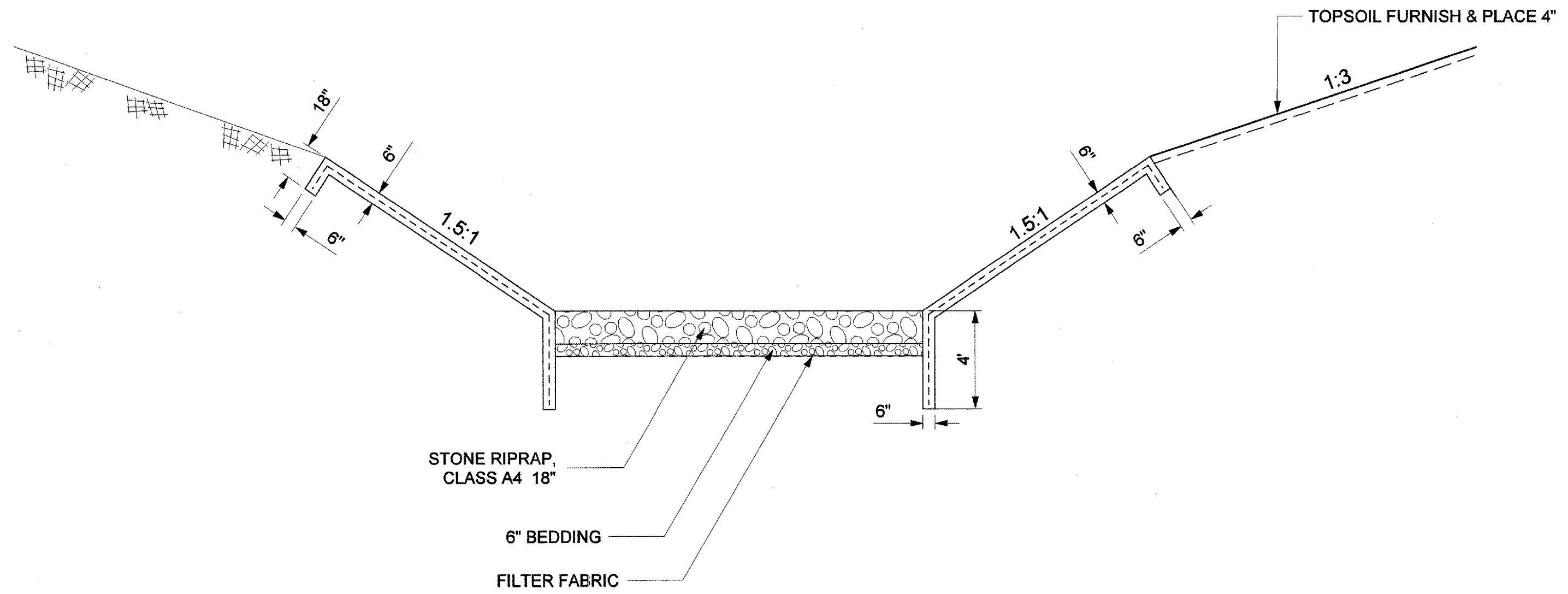
PARKING LOT DETAILS

SCALE: _____ DATE: _____

DRAWN BY _____
 CHECKED BY _____

F.A.P. RTE.	SECTION	COUNTY	TOTAL SHEETS	SHEET NO.
646	*	PEORIA	30	10

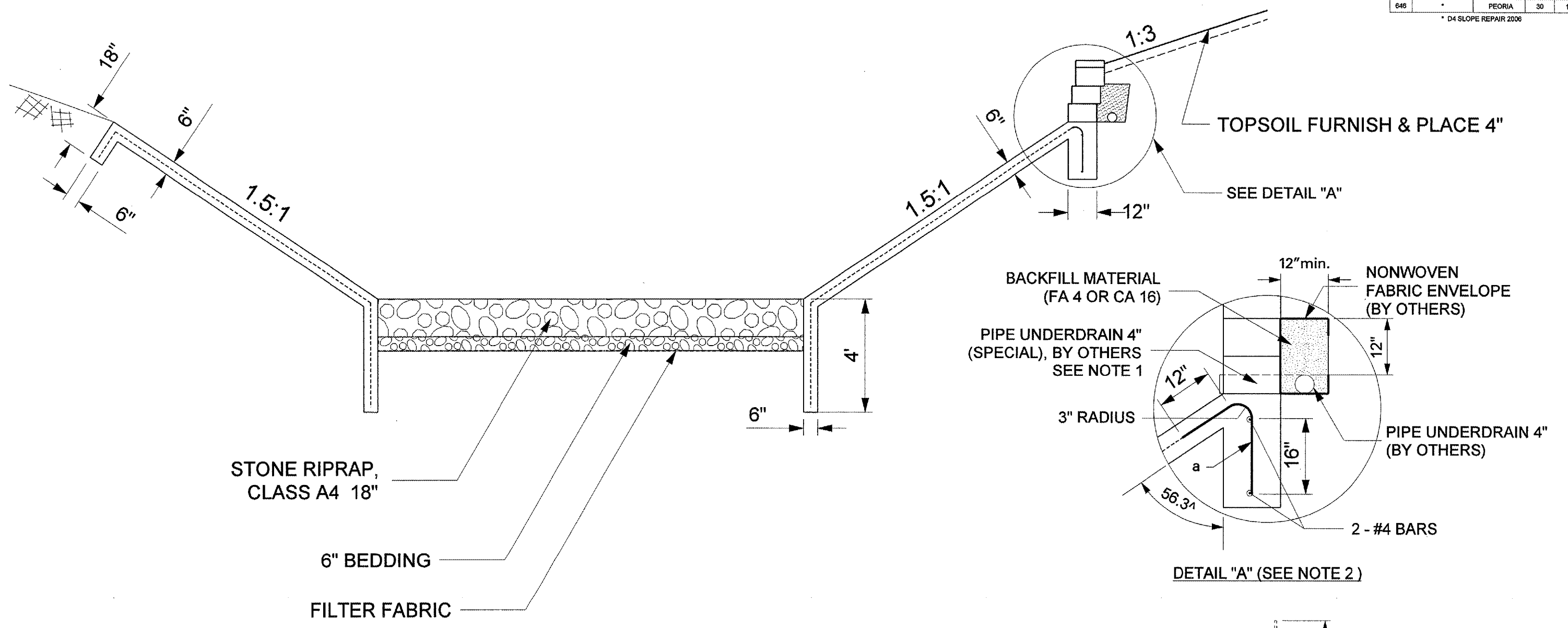
* D4 SLOPE REPAIR 2006



SECTION A-A
FROM STA. 266+38.37 TO STA. 266+84.13

REVISIONS	
NAME	DATE

ILLINOIS DEPARTMENT OF TRANSPORTATION
**SLOPE WALL
DETAIL**

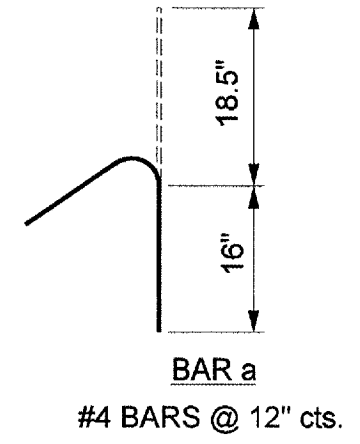


SECTION B-B
FROM STA. 266+84.13 TO STA. 267+00.89

NOTES:

PIPE UNDERDRAIN 4" (SPECIAL) TO BE OUTLET THROUGH BLOCK RETAINING WALL AT DOWNSTREAM END OF PROJECT, STA 267+00

CUTOFF WALL AND ITS REINFORCEMENT WILL BE INCLUDED IN THE UNIT PRICE OF SLOPE WALL, 6 INCH.

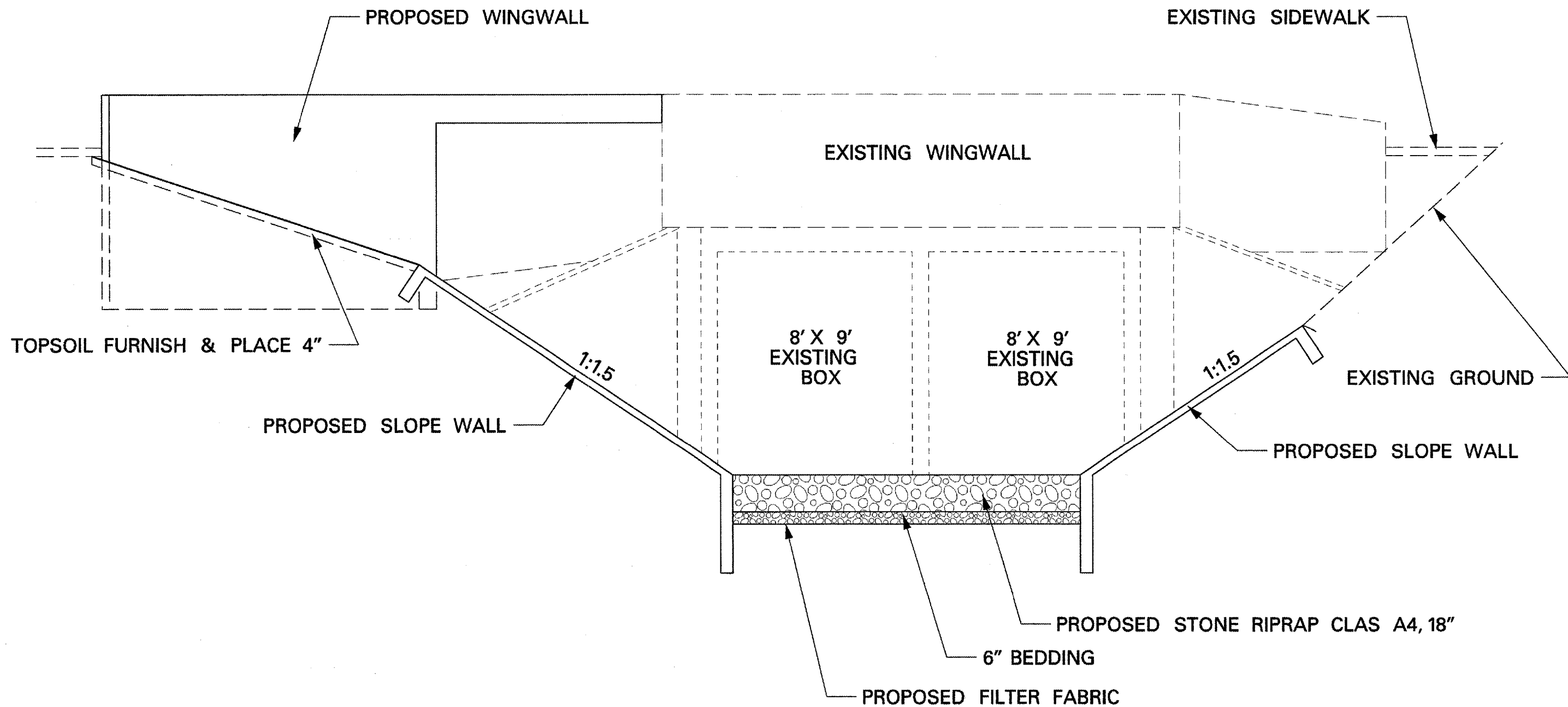


REVISIONS	
NAME	DATE

ILLINOIS DEPARTMENT OF TRANSPORTATION

**SLOPE WALL
DETAIL**

F.A.P. RTE.	SECTION	COUNTY	TOTAL SHEETS	SHEET NO.
646	*	PEORIA	30	12



SECTION C - C

REVISIONS	
NAME	DATE

ILLINOIS DEPARTMENT OF TRANSPORTATION

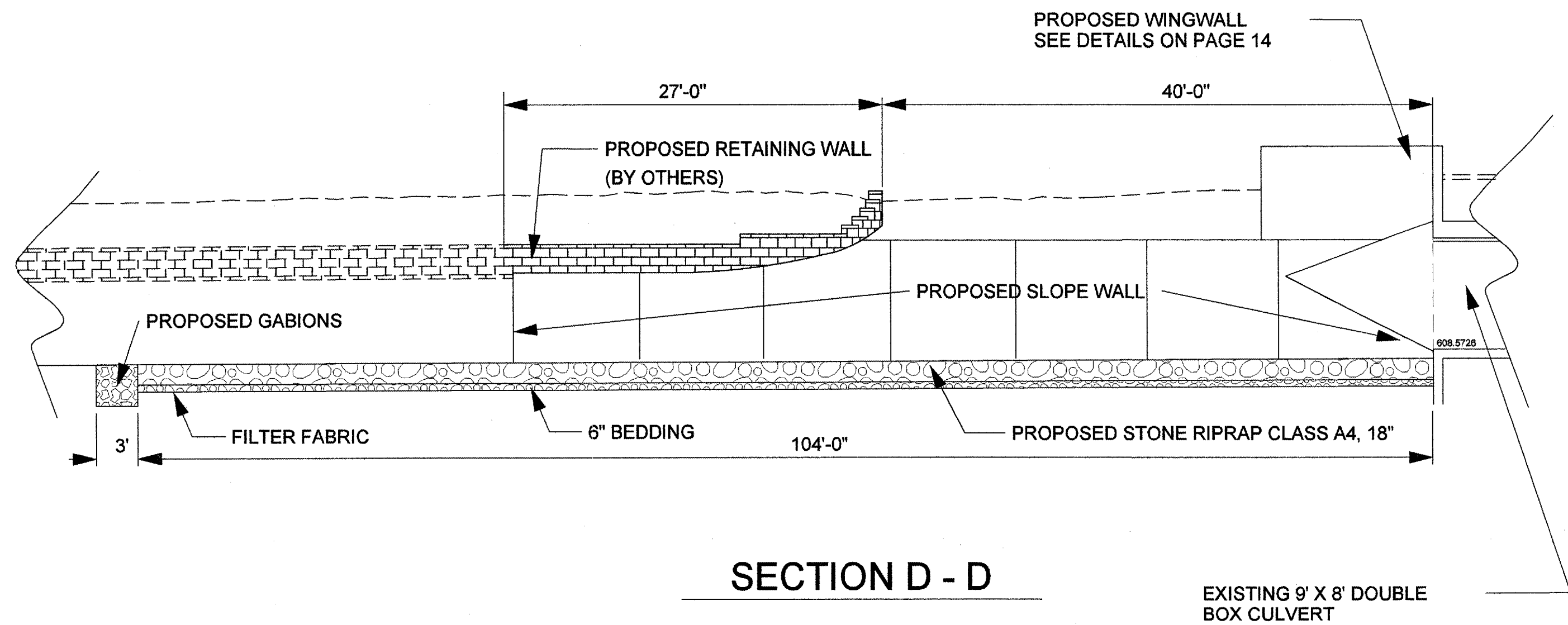
**SLOPE WALL
DETAIL**

F.A.P. RTE.	SECTION	COUNTY	TOTAL SHEETS	SHEET NO.
646	*	PEORIA	30	13

STA.	TO STA.

FED. ROAD DIST. NO. ILLINOIS FED. AID PROJECT

• D4 SLOPE REPAIR 2006



SECTION D - D

EXISTING 9' X 8' DOUBLE BOX CULVERT

PLOT DATE 10/24/2005
 FILE NAME c:\projects\140fhull\plansheet3.dgn
 PLOT SCALE 23.3241" / IN.
 USER NAME crespole

REVISIONS	
NAME	DATE

ILLINOIS DEPARTMENT OF TRANSPORTATION

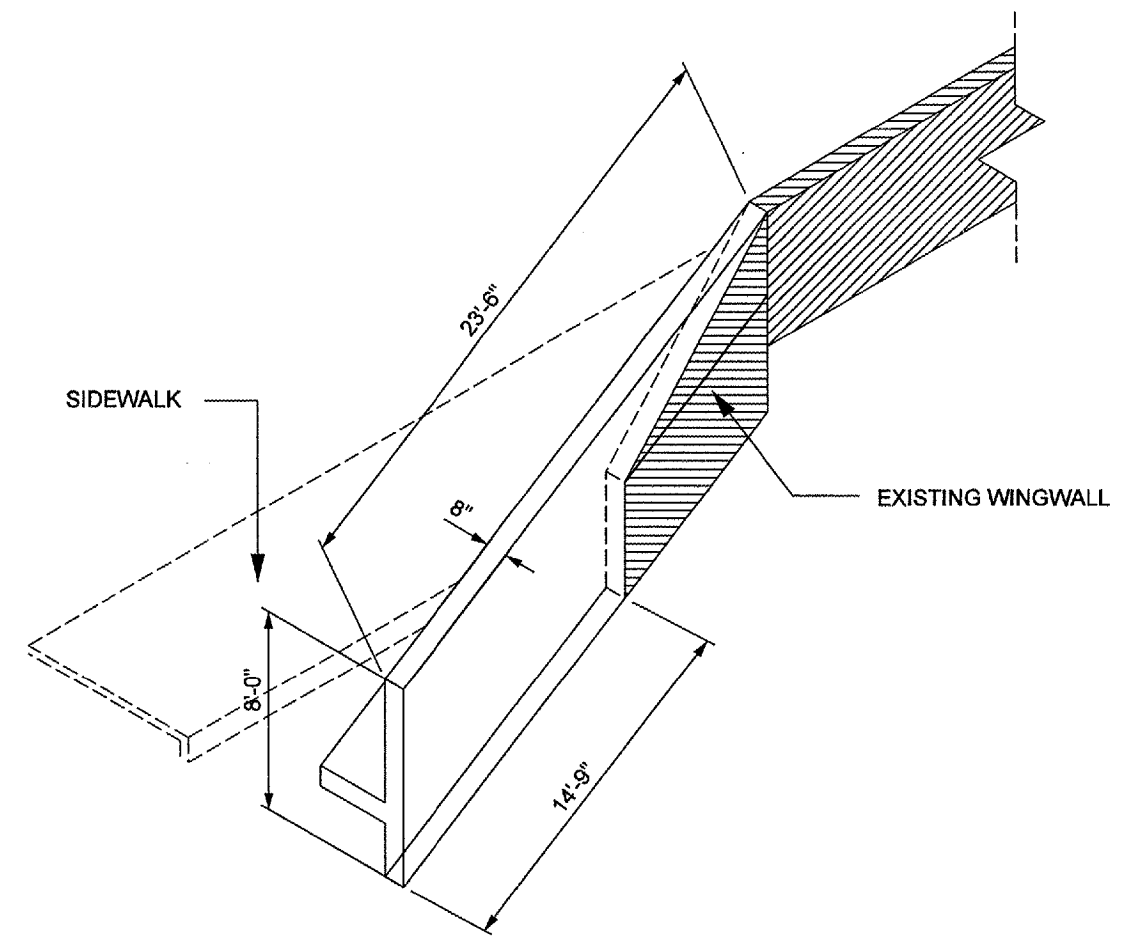
PLANS DETAILS

SCALE:
DATE

DRAWN BY
CHECKED BY

F.A.P. RTE.	SECTION	COUNTY	TOTAL SHEETS	SHEET NO.
646	*	PEORIA	30	14
STA.	TO STA.			
FED. ROAD DIST. NO.	ILLINOIS	FED. AID PROJECT		

• D4 SLOPE REPAIR 2006



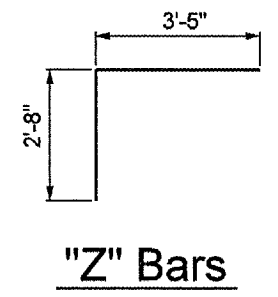
WINGWALL ISOMETRIC

BILL OF MATERIAL

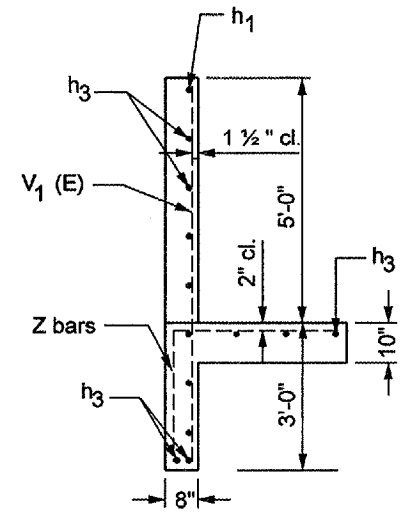
Bar	No.	Size	Length	Shape
h_1	1	#4	23'-4"	—
h_3	12	#4	14'-4"	—
$v_1(E)$	16	#4	7'-8"	—
v_2	6	#4	1'-1"	—
Z	16	#4	6'-1"	┌
Class SI Concrete			Cu. Yd.	4.5
Reinforcement Bars, Epoxy Coated			Pound	82.0
Reinforcement Bars			Pound	200.0
Tie Bars			Each	7.0

DESIGN STRESSES

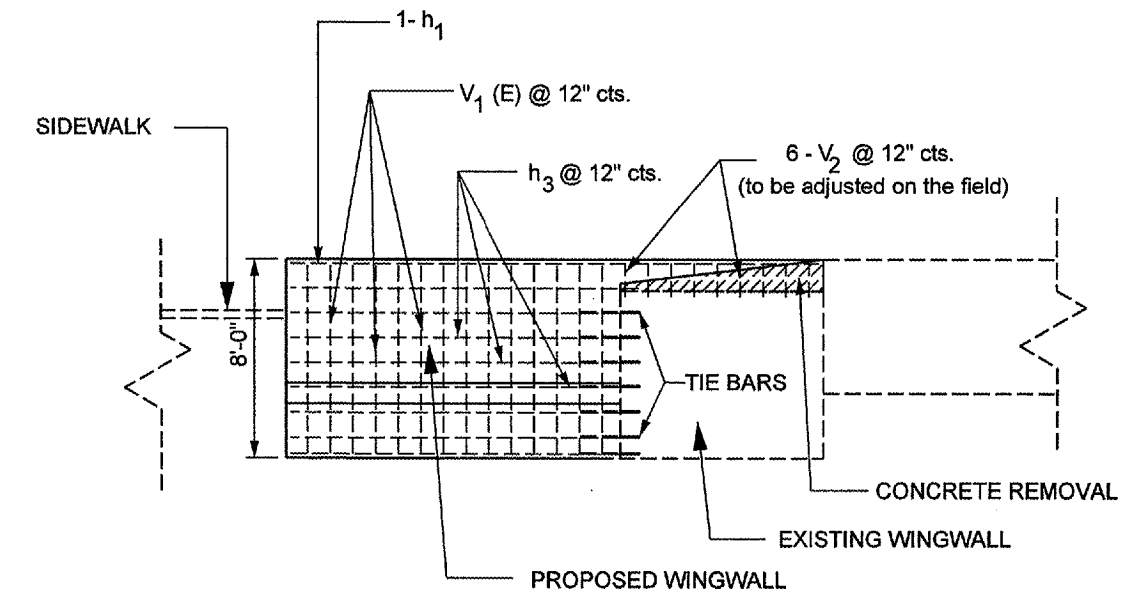
$f_y = 60,000$ psi
 $f_c = 3,500$ psi
 Max. Soil Pressure at the toe = 1,923 psf



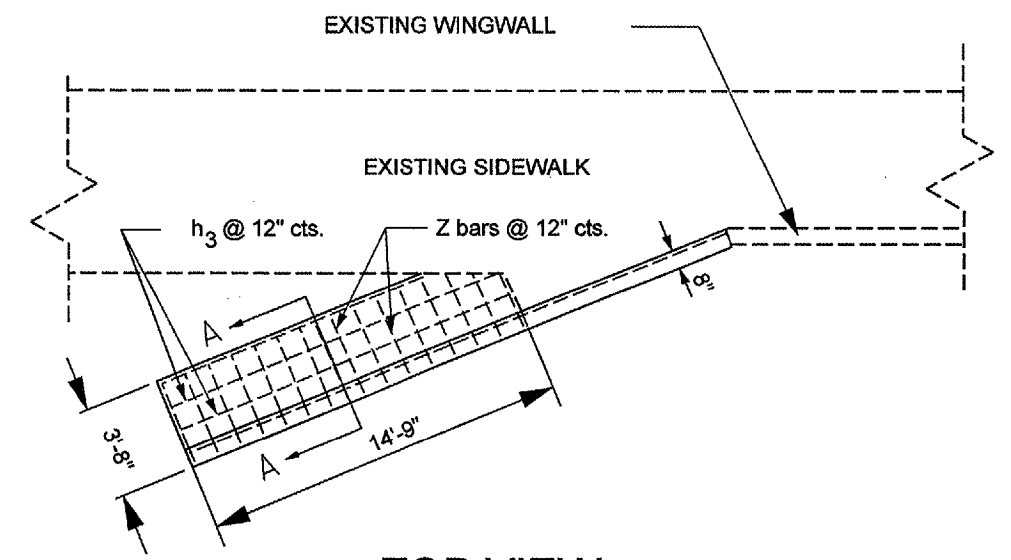
"Z" Bars



SECTION A-A



FRONT VIEW



TOP VIEW

REVISIONS	
NAME	DATE

ILLINOIS DEPARTMENT OF TRANSPORTATION
WINGWALL DETAILS
 SCALE: _____ DATE: _____ DRAWN BY: _____ CHECKED BY: _____

PLOT DATE 12/1/2005
 FILE NAME c:\projects\140fh\1\plensheet3.dgn
 PLOT SCALE 23.2941 / IN.
 USER NAME c-respole

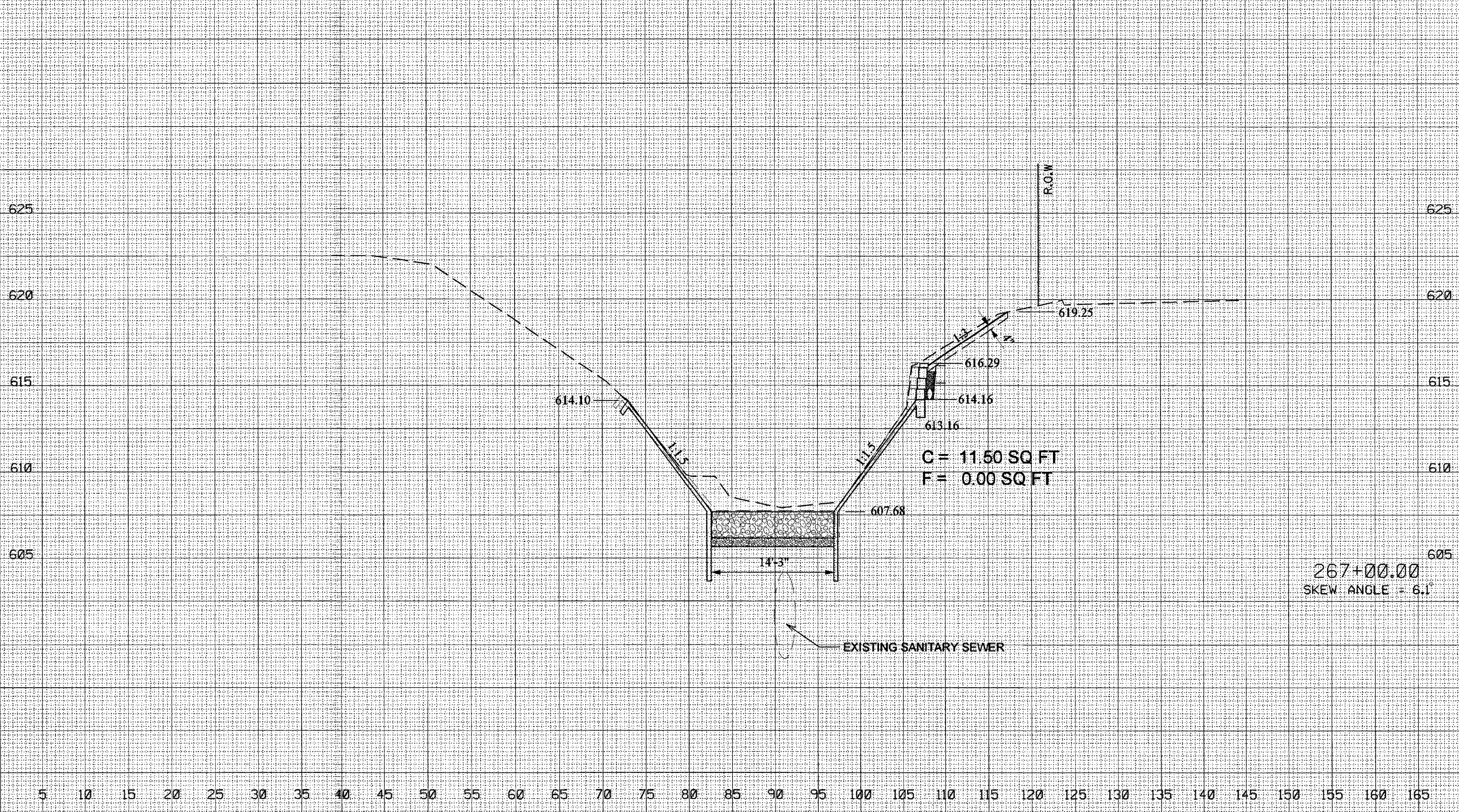
F.A.P. RTE.	SECTION	COUNTY	TOTAL SHEETS	SHEET NO.
646	*	PEORIA	30	22
STA. 267+00.00		TO STA. 267+00.00		
FED. ROAD DIST. NO.		ILLINOIS FED. AID PROJECT		
* D4 SLOPE REPAIR 2006				

5 10 15 20 25 30 35 40 45 50 55 60 65 70 75 80 85 90 95 100 105 110 115 120 125 130 135 140 145 150 155 160 165

DATE	
BY	
REVIEWED	
SURVEY	
TEMPLATE	
AREAS	
CHECKED	
NO.	

DATE	
BY	
REVIEWED	
SURVEY	
TEMPLATE	
AREAS	
CHECKED	
NO.	

PLOT DATE = 10/24/2006
 FILE NAME = c:\pco_mca\1148\1148.dgn
 PLOT SCALE = 1/8" = 1' / IN.
 USER NAME = c:\pco_mca



267+00.00
 SKEW ANGLE = 6.1°

EXISTING SANITARY SEWER

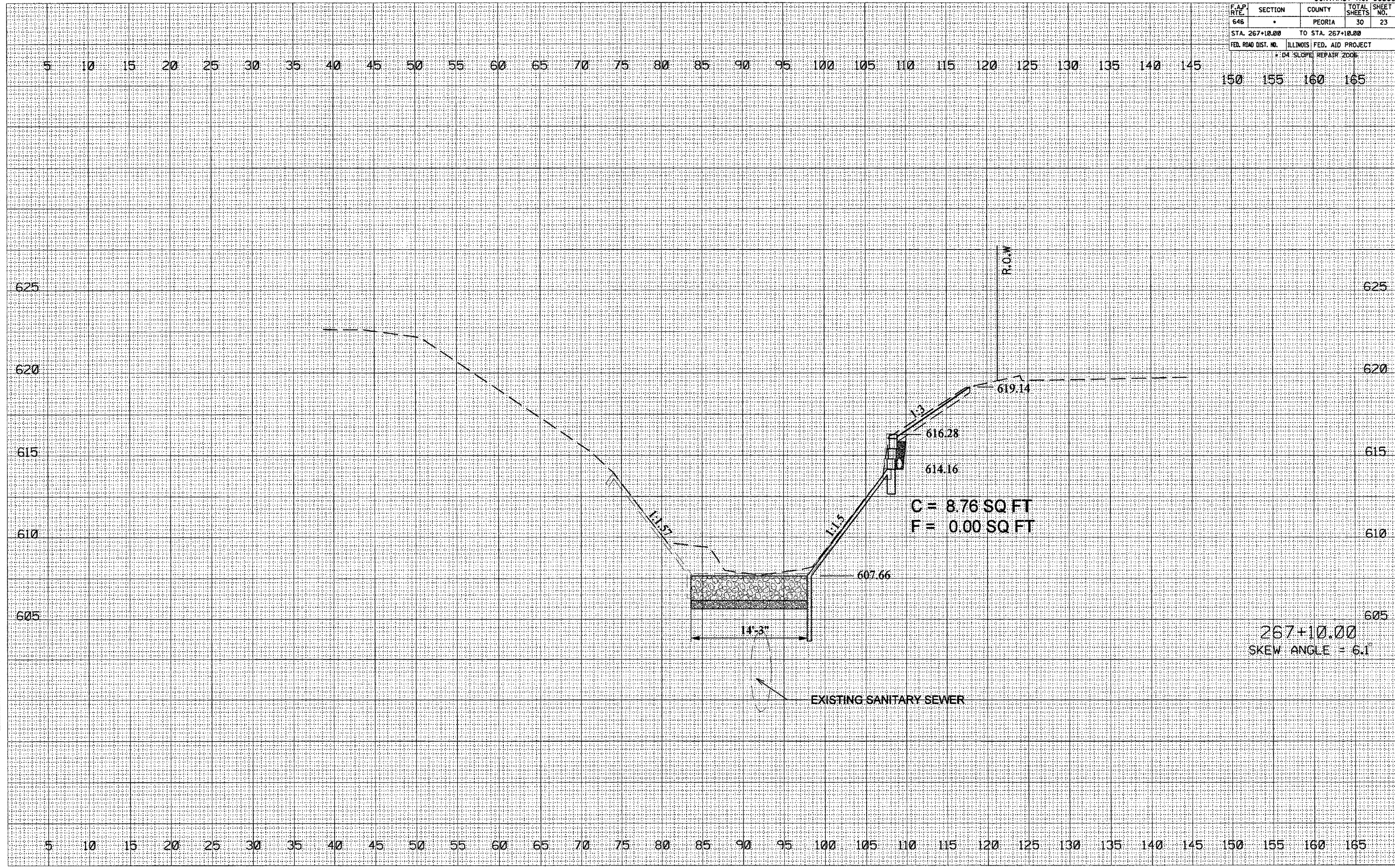
C = 11.50 SQ FT
 F = 0.00 SQ FT

F.A.P. RTE.	SECTION	COUNTY	TOTAL SHEETS	SHEET NO.
646		PEORIA	30	23
STA. 267+10.00		TO STA. 267+10.00		
FED. ROAD DIST. NO.		ILLINOIS FED. AID PROJECT		
* D4 SLOPE REPAIR 2006				

DATE	
BY	
DESIGNED	
PLOTTED	
TEMPLATE	
AREA	
AREAS CHECKED	
NO.	
FINAL SURVEY	
NOTE BOOK	
NO.	

DATE	
BY	
DESIGNED	
PLOTTED	
TEMPLATE	
AREA	
AREAS CHECKED	
NO.	
ORIGINAL SURVEY	
NOTE BOOK	
NO.	

PLOT DATE = 10/24/2005
 FILE NAME = c:\p\c\peoria\11487n\11487n.dgn
 PLOT SCALE = 1/8" = 1' / IN.
 USER NAME = crumpke



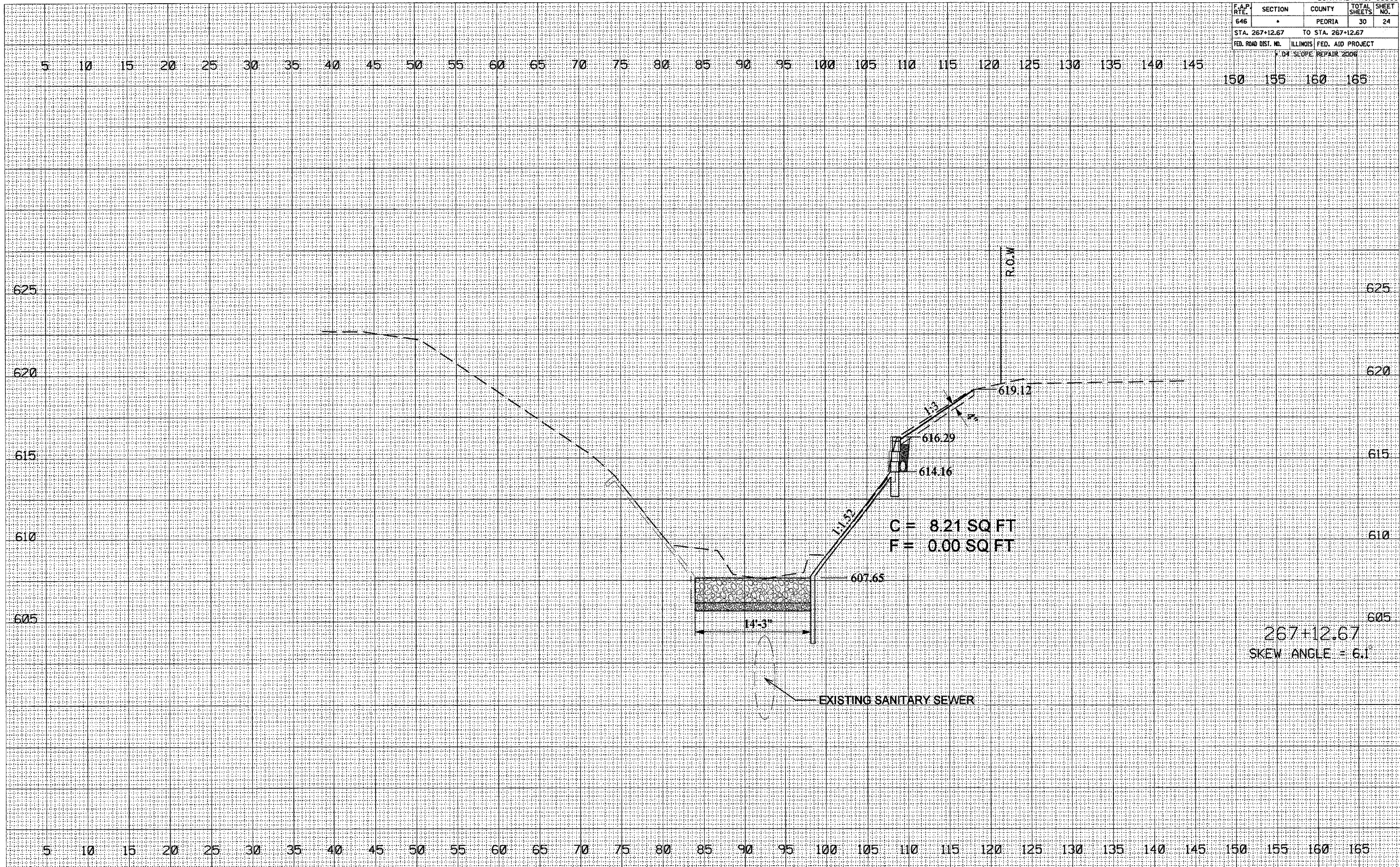
267+10.00
 SKEW ANGLE = 6.1

F.A.P. RTE.	SECTION	COUNTY	TOTAL SHEETS	SHEET NO.
646	*	PEORIA	30	24
STA. 267+12.67		TO STA. 267+12.67		
FED. ROAD DIST. NO.		ILLINOIS FED. AID PROJECT		
* 0.4% SLOPE REPAIR 2006				

FINAL SURVEY	BY	DATE
SUBMITTED		
PLOTTED		
TEMPLATE		
NOTE BOOK		
NO.		
AREAS CHECKED		

ORIGINAL SURVEY	BY	DATE
SUBMITTED		
PLOTTED		
TEMPLATE		
NOTE BOOK		
NO.		
AREAS CHECKED		

PLOT DATE = 10/24/2005
 FILE NAME = c:\pwworkspace\11487h\11487h11.vba2.dgn
 PLOT SCALE = 10.0000' / IN.
 USER NAME = dmpate

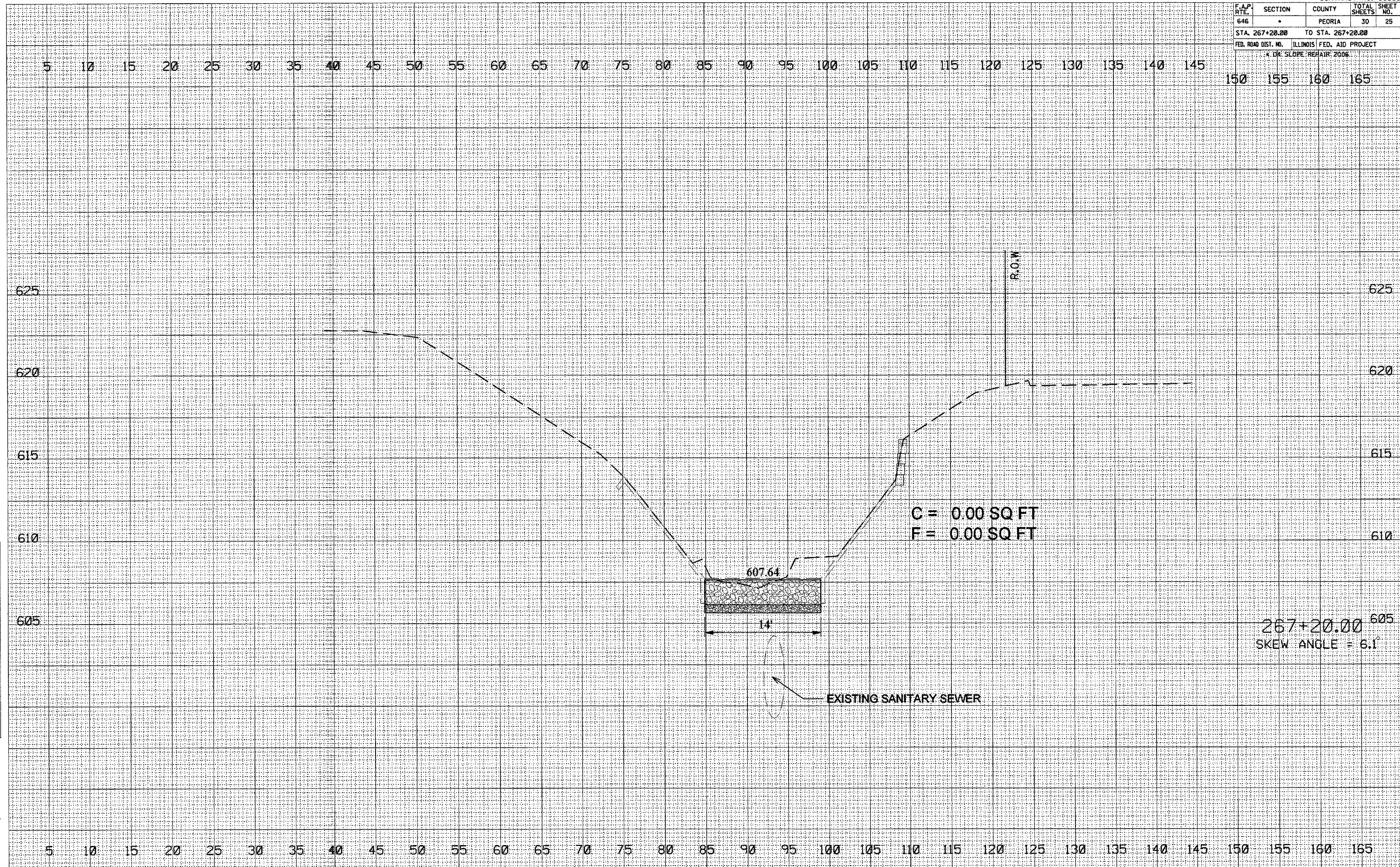


267+12.67
 SKEW ANGLE = 6.1°

EXISTING SANITARY SEWER

C = 8.21 SQ FT
 F = 0.00 SQ FT

F.A.P. RTE.	SECTION	COUNTY	TOTAL SHEETS	SHEET NO.
646	•	PEORIA	30	25
STA. 267+20.00		TO STA. 267+20.00		
FED. ROAD DIST. NO.		ILLINOIS FED. AID PROJECT		
• DR. SLOPE REPAIR 2006				



FINAL SURVEY

SURVEYED	DATE
NOTE BOOK	BY
TEMPLATE	
AREAS	
AREAS CHECKED	

ORIGINAL SURVEY

SURVEYED	DATE
NOTE BOOK	BY
TEMPLATE	
AREAS	
AREAS CHECKED	

PLOT DATE : 10/24/2005
 FILE NAME : c:\pvc\pvc\11487\p11\veh2.dwg
 PLOT SCALE : 1/8" = 1' / IN.
 USER NAME : oraspole

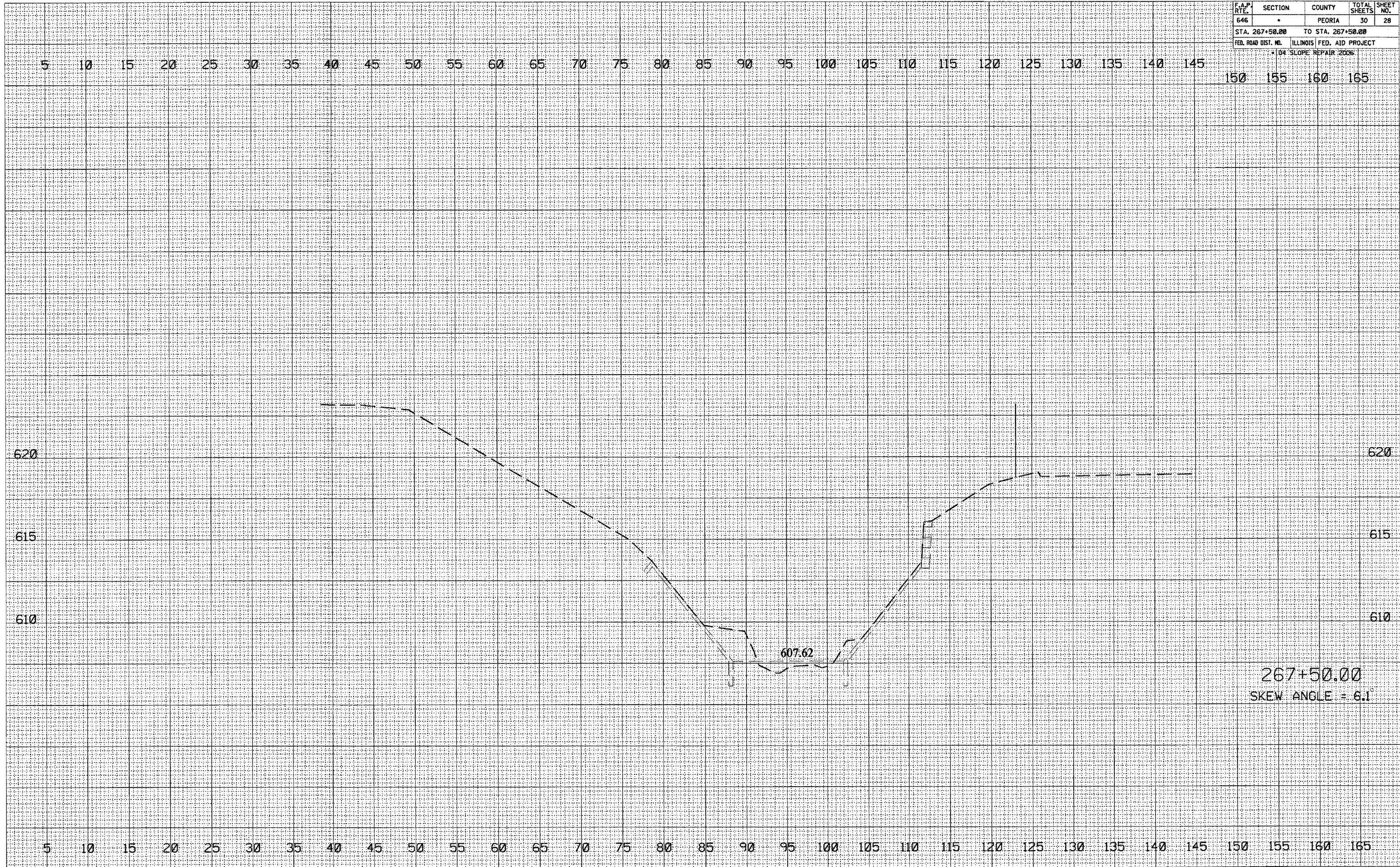
267+20.00 605
 SKEW ANGLE = 6.1

F.A.P. R.T.E.	SECTION	COUNTY	TOTAL SHEETS	SHEET NO.
646		PEORIA	30	28
STA. 267+50.00		TO STA. 267+50.00		
FED. ROAD DIST. NO.	ILLINOIS	FED. AID PROJECT		
* 104 SLOPE REPAIR 2006				

FINAL SURVEY	SURVEYED	BY	DATE
NOTE BOOK NO.	PLOTTED		
	TEMPLATE		
	AREAS CHECKED		

ORIGINAL SURVEY	SURVEYED	BY	DATE
NOTE BOOK NO.	PLOTTED		
	TEMPLATE		
	AREAS CHECKED		

PLOT DATE = 10/24/2005
 FILE NAME = c:\p\projects\11487\11487.dwg
 PLOT SCALE = 16.0000 / IN.
 USER NAME = dmpate

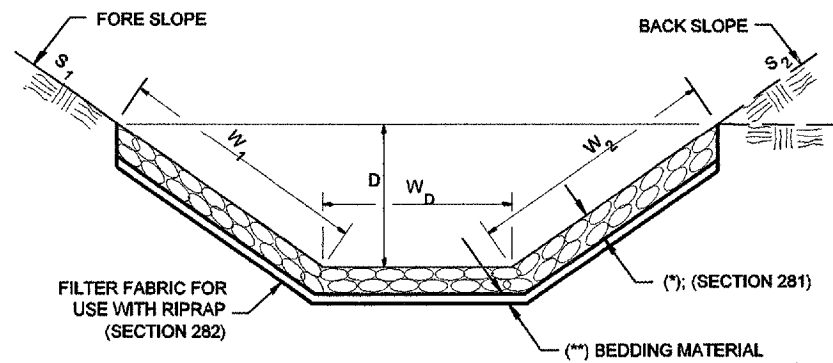


5 10 15 20 25 30 35 40 45 50 55 60 65 70 75 80 85 90 95 100 105 110 115 120 125 130 135 140 145 150 155 160 165

F.A.P. RTE.	SECTION	COUNTY	TOTAL SHEETS	SHEET NO.
648	-	PEORIA	30	29
STA. 266+36		TO STA. 267+40		
FED. ROAD DIST. NO.	ILLINOIS	FED. AID PROJECT		

* D4 SLOPE REPAIR 2008

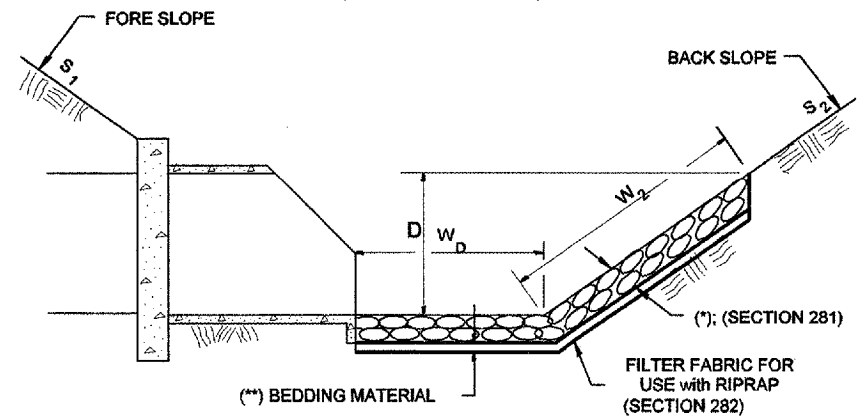
**CASE 1
(DITCH)**



LOCATION	WIDTH (1)	LENGTH	RIPRAP	FABRIC
STA TO STA	m (lin ft)	m (lin ft)	m tons (tons)	m ² (sq yds)
TOTAL				

(1) WIDTH = $W_1 + W_2 \cdot W_D$

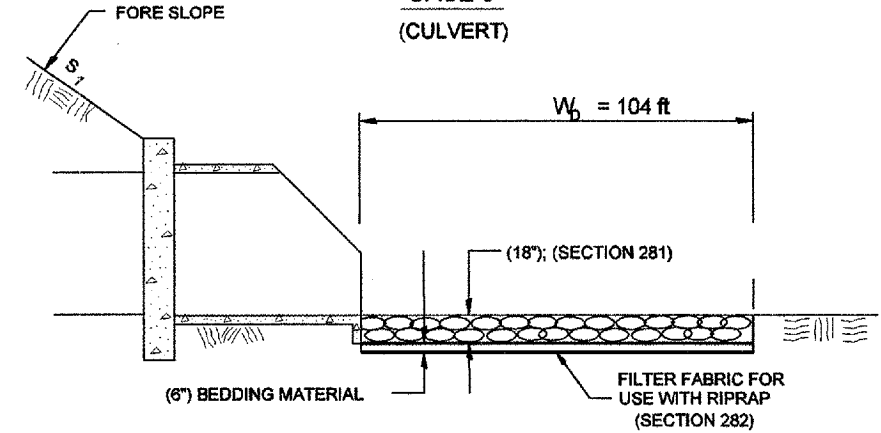
**CASE 2
(CULVERT & SLOPE)**



LOCATION	WIDTH (1)	LENGTH	RIPRAP	FABRIC
STA TO STA	m (lin ft)	m (lin ft)	m tons (tons)	m ² (sq yds)
TOTAL				

(1) WIDTH = $W_2 \cdot W_D$

**CASE 3
(CULVERT)**



STONE RIPRAP, CLASS A 4				
LOCATION	WIDTH (1)	LENGTH	RIPRAP	FABRIC
STA TO STA	m (lin ft)	m (lin ft)	m tons (tons)	m ² (sq yds)
266+36 to 267+40	104	VARIABLE	124.5	166
TOTAL				

(1) WIDTH = W_D

All slope ratios are expressed as units of vertical displacement to units of horizontal displacement (V:H).
All dimensions are in millimeters (inches) unless otherwise noted.

ILLINOIS DEPARTMENT OF TRANSPORTATION

SPECIAL DETAIL SHEET

RIPRAP DITCH FOR EROSION PROTECTION

CADD DETAIL 281001-D4

SCALE: NOT DRAWN TO SCALE DRAWN BY: CADD

DATE: \$\$\$DATE\$\$\$ CHECKED BY:

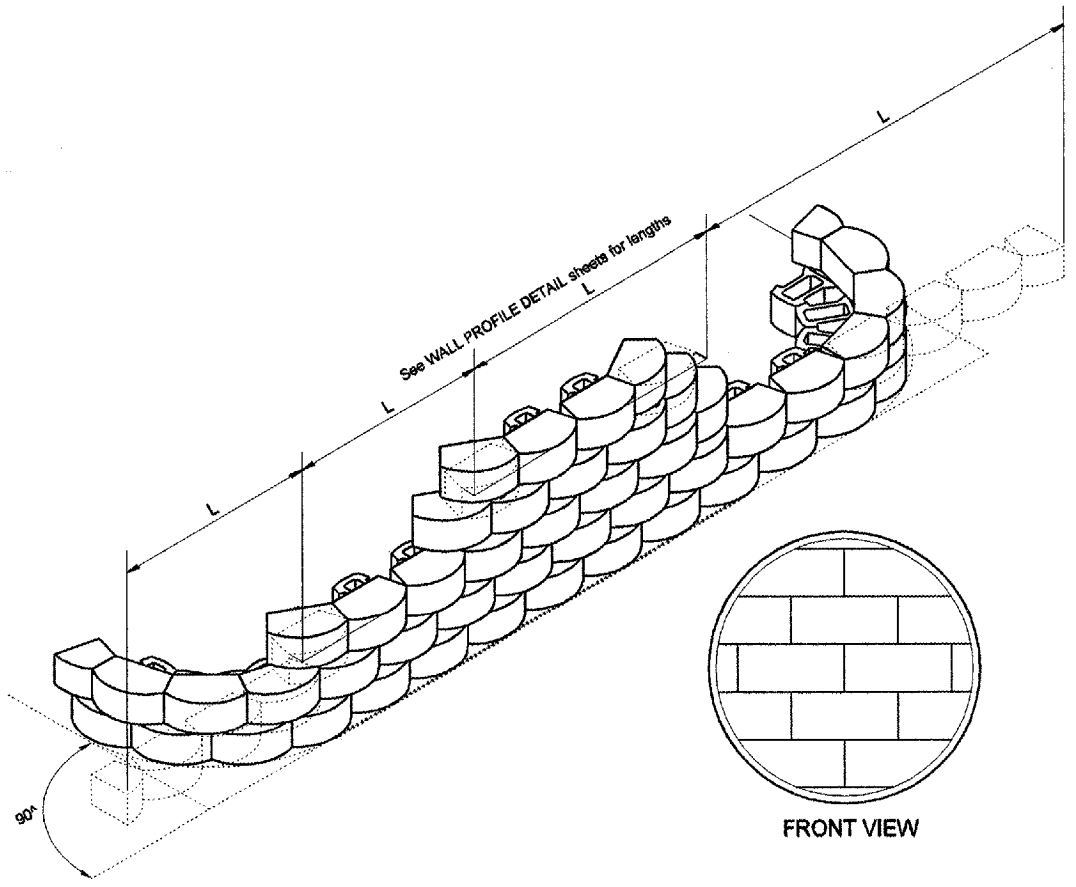
DATE	REVISIONS	BY
1-1-97	RENUM. A-12.02, NEW REVISION BOX	T.P.
12-1-97	CORRECT FILTER FABRIC LEADER ARROW	J.A.

- Designer NOTES:**
1. Designer to modify this Special Detail Sheet, as needed for inclusion in plans.
 2. (*) Designer to specify pay item including material, quality, and gradation.
 3. (**) Designer to specify thickness of bedding material.
 4. Include District Special Provision if needed.

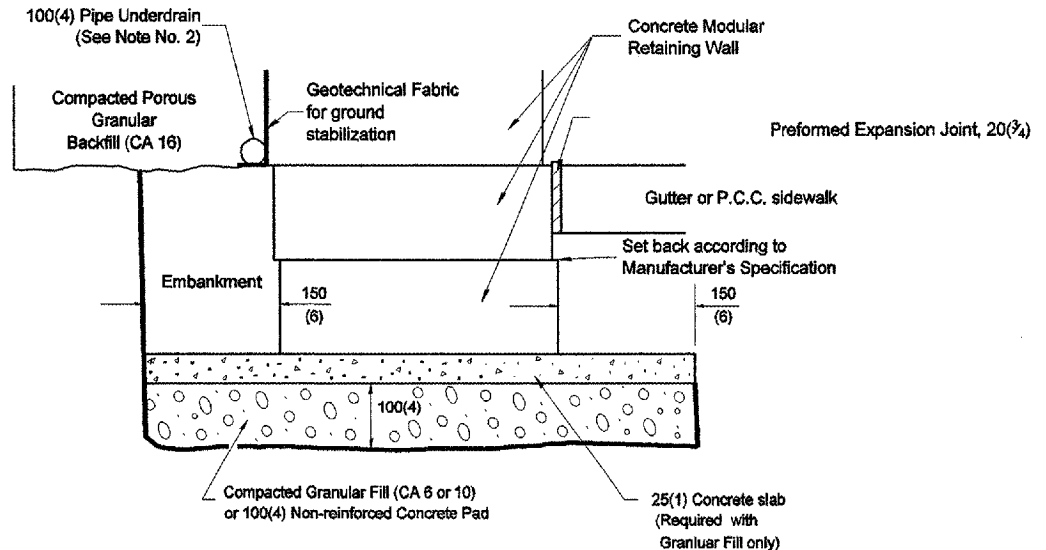
\$\$\$DATE\$\$\$

F.A.P. RTE.	SECTION	COUNTY	TOTAL SHEETS	SHEET NO.
648	*	PEORIA	30	30
STA.		TO STA.		
FED. ROAD DIST. NO.	ILLINOIS	FED. AID PROJECT		

* D4 SLOPE REPAIR 2006



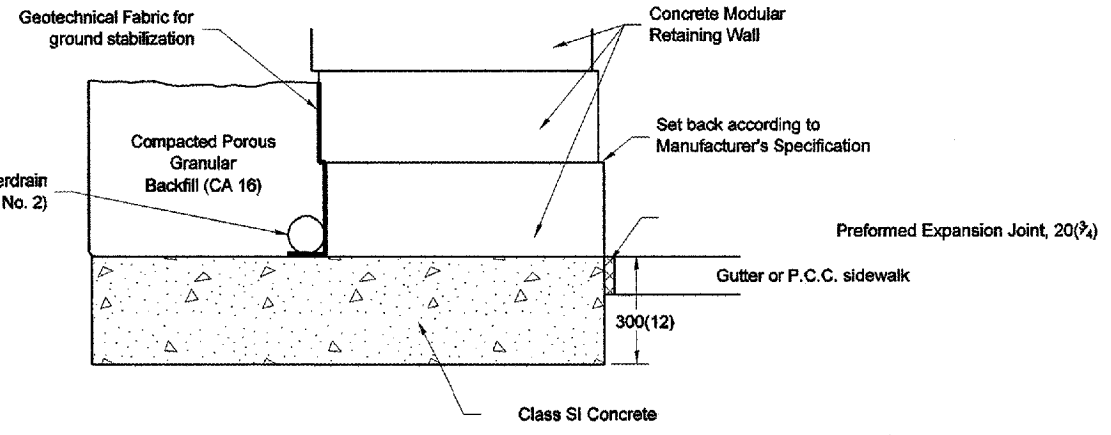
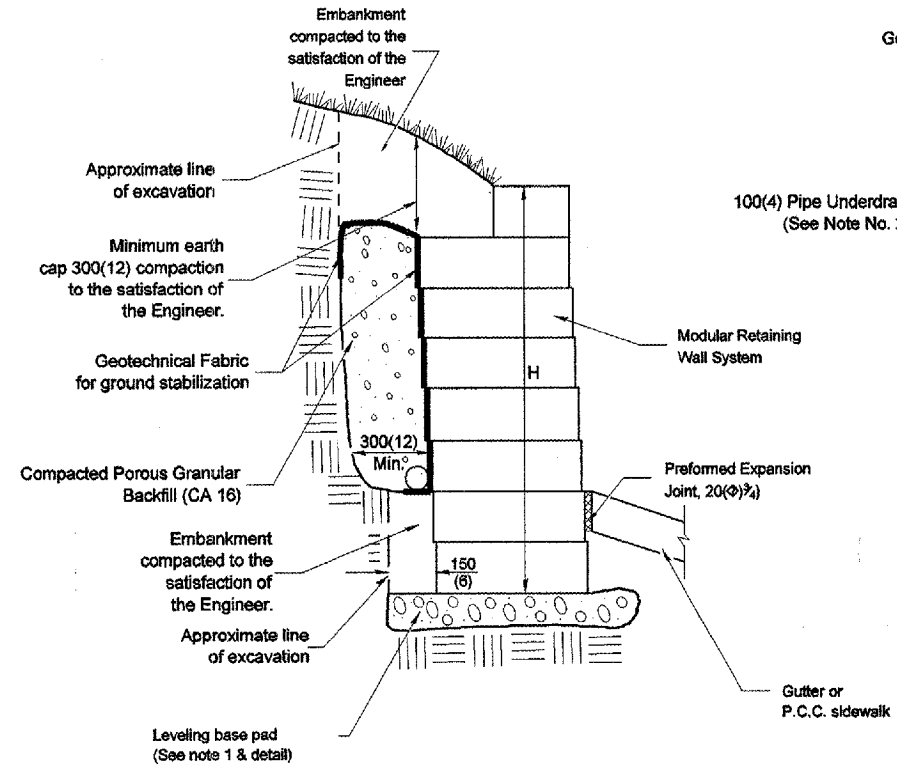
INSTALLATION OF COURSES IN RUNNING BOND



LEVELING BASE PAD DETAIL

NOTES:

1. At the Contractor's option the portion of the stone wall below top of sidewalk elevation may be constructed with class SI concrete. The width shall match the width of the modular block plus the 300(12) maximum trench.
2. 100(4) Pipe Underdrains shall outlet into inlets or storm sewer.
3. Pipe drains and pipe underdrains shall meet the requirements of the applicable portions of section 601 of the Standard Specifications.
4. Preformed expansion joint filler shall be placed between the gutter or sidewalk and the wall.
5. The geotechnical fabric shall meet the requirements of the applicable portions of Sections 210 and 1080 of the Standard Specifications.



LEVELING BASE PAD CONCRETE ALTERNATE (See Note 1)

All dimensions are in millimeters (inches) unless otherwise noted.

ILLINOIS DEPARTMENT OF TRANSPORTATION
DISTRICT CADD STANDARD

MODULAR RETAINING WALL SYSTEM DETAIL

CADD STD NO. 680101-D4
SCALE: NOT DRAWN TO SCALE
DATE \$\$\$DATE\$\$\$
DRAWN BY CADD
CHECKED BY

DATE	REVISIONS	BY
1-1-97	RENUM L-3.05, NEW REVISION BOX, REVISED TITLE BOX	T.P.

DESIGNER NOTES:
1. Use in conjunction with Special Provisions for Modular Retaining Wall System, with name of three systems specified.
2. Use in conjunction with Special Provisions for Pipe Underdrains, CA 16, without Fabric Envelope.

\$\$\$DATE\$\$\$