

PAVING SCHEDULE

STATION	BIT. MAT'L PRIME COAT (TON)	AGG. PRIME COAT (TON)	LEVELING BINDER MIX "C" (TON)	BIT. CONC. SURF. CSE., SUPER., MIX "C", N70 (TON)	BIT. SURF. REMOVAL (SQ YD)	AGG. SHLD TYPE B (TON)	STRIP REFL CRACK CTL TREATMENT (FT)
688+29.5 TO 689+05.5	0.085	0.4	13.35	27.71	270.4	8.02	152.0
689+05.5 TO 690+94.5				87.00			
690+94.5 TO 691+69.0	0.083	0.4	11.11	22.21	264.4	7.86	149.0
TOTAL	0.167	0.8	22.46	131.92	534.80	15.88	301.00

PAVEMENT MARKING SCHEDULE

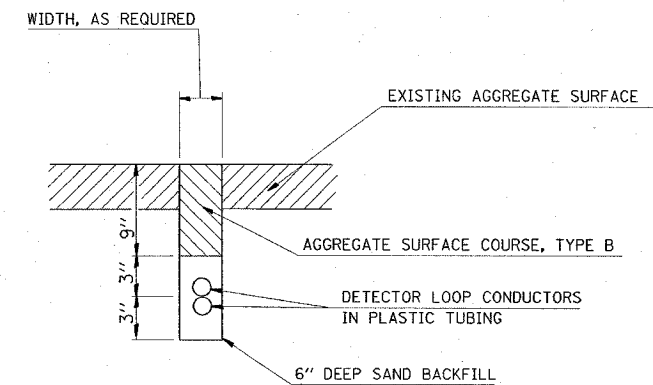
STATION		PAVEMENT		BRIDGE	
		WHITE LINE (FT)	YELLOW SKIP DASH LINE 4" (FT)	WHITE LINE (FT)	YELLOW SKIP DASH LINE 4" (FT)
688+29.5 TO 689+05.5	RT/LT	152.0			
688+29.5 TO 689+05.5	∅		19.0		
689+05.5 TO 690+94.5	RT/LT			378.0	
689+05.5 TO 690+94.5	∅				47.25
690+94.5 TO 691+69.0	RT/LT	149.0			
690+94.5 TO 691+69.0	∅		18.6		
687+80.9 TO 692+19.7					
SUB-TOTAL		301.0	37.6	378.0	47.3
TOTAL			338.6		425.3

TEMPORARY PAVEMENT MARKING SCHEDULE

STATION		PAVEMENT	BRIDGE	PAVEMENT	BRIDGE	PVMT MRKG REMOVAL (SQ FT)
		TEMP PVMT MRKG- LINE 4" (FT)	TEMP PVMT MRKG- LINE 4" (FT)	TEMP PVMT MRKG- LINE 6" (FT)	TEMP PVMT MRKG- LINE 6" (FT)	
686+81.0 TO 693+89.8	∅	519.8	189.0			236.3
688+50.5 TO 692+20.0	WALL			180.5	189.0	
686+11.0 TO 693+89.8	∅	589.8	189.0			259.6
687+81.0 TO 692+20.0	WALL			250.0	189.0	
SUB-TOTAL		1109.6	378.0	430.5	378.0	
TOTAL			1487.6		808.5	495.9

GUARDRAIL SCHEDULE

STATION			SPBGR REMOVAL (FT)	TBT - T1 (SPECIAL) (EA)	TBT - T1 (FLARED) (EA)	TBT - T6A (EA)
688+74	TO	689+05.5	31.5			1
688+15	TO	689+05.5	62.5		1	1
690+94.5	TO	691+26.0	31.5			1
690+94.5	TO	691+26.0	31.5			1
691+64.5	TO	692+14.5	50.0	1		
691+77.5	TO	692+27.5	50.0	1		
TOTAL			257.0	2	1	4



DETAIL

DETECTOR LOOP INSTALLED IN TRENCH

INSTALLATION IS TO BE DONE IN CONFORMANCE WITH THE REQUIREMENTS OF THE PLANS AND SECTION 886 OF THE STANDARD SPECIFICATIONS WITH THE FOLLOWING EXCEPTIONS:

1. SLOTS ARE TO BE TRENCHED INSTEAD OF SAWED.
2. THIS WORK SHALL NOT BE PAID FOR SEPERATELY BUT SHALL BE INCLUDED IN THE COST OF TEMPORARY BRIDGE TRAFFIC SIGNALS - 1 EACH.

REVISIONS	
NAME	DATE

ILLINOIS DEPARTMENT OF TRANSPORTATION
**SCHEDULE OF QUANTITIES AND
DETECTOR LOOP IN TRENCH DETAIL**
FAP ROUTE 817
SECTION 106BR-1
WASHINGTON COUNTY

SCALE: VERT.
HORIZ.
DATE

DRAWN BY
CHECKED BY