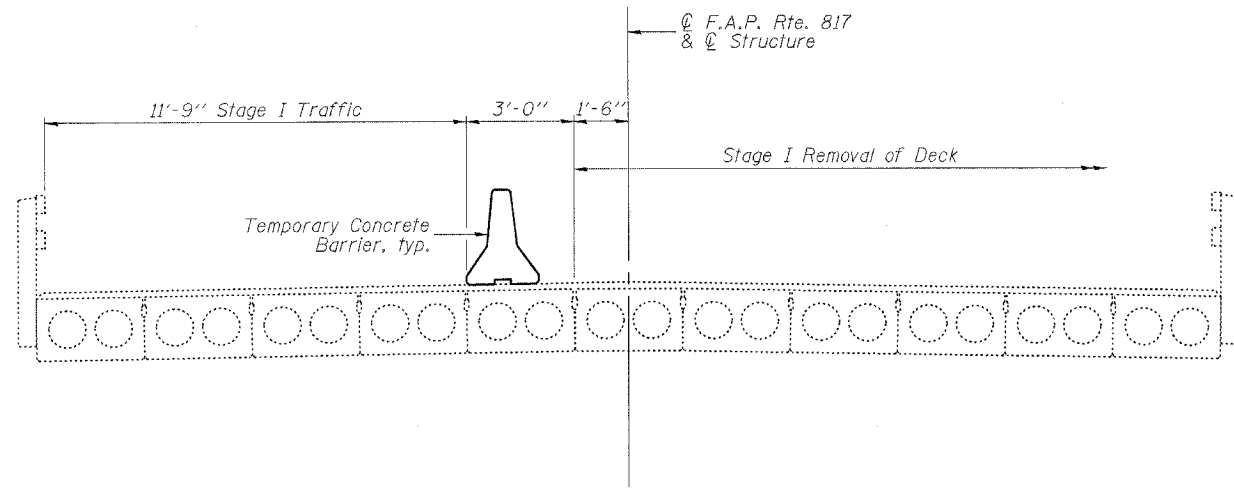


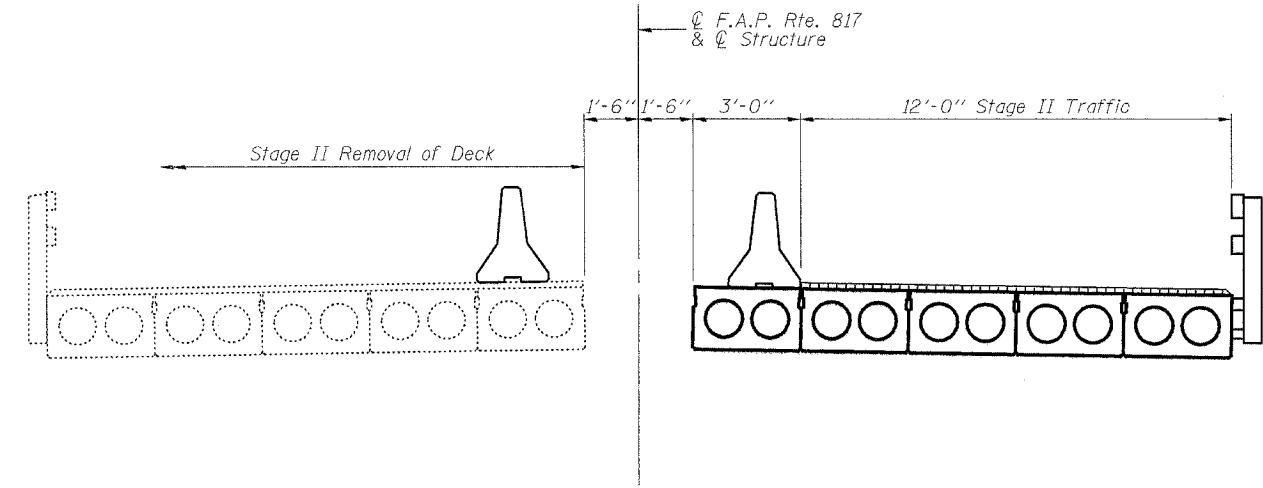
STATE OF ILLINOIS  
DEPARTMENT OF TRANSPORTATION

ROUTE NO.	SECTION	COUNTY	TOTAL SHEETS	SHEET NO.
F.A.P. 817	106BR-1	WASHINGTON	14	11
FED. ROAD DIST. NO. 7	ALWAYS	FED. AID PROJECT		

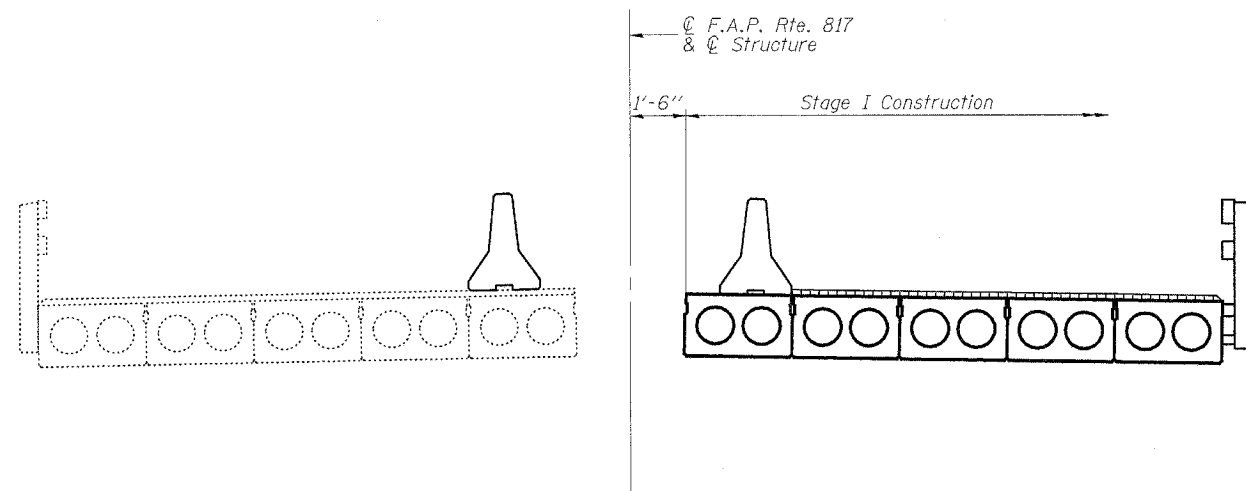
SHEET NO. 2  
14 SHEETS



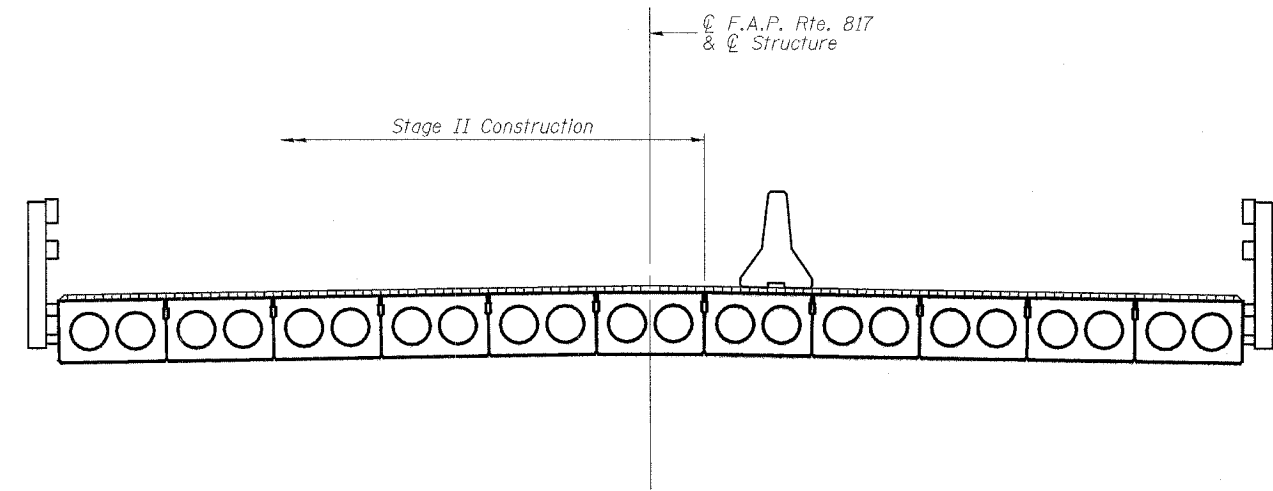
**STAGE I REMOVAL**



**STAGE II REMOVAL**



**STAGE I CONSTRUCTION**



**STAGE II CONSTRUCTION**

Notes:  
All sections are looking East.  
For quantity of Temporary Concrete Barrier, see roadway plans.  
For details of Temporary Concrete Barrier, see sheet 3 of 14.  
For requirements for lapping waterproofing membrane, see notes on sheet 3 of 14.

DESIGNED	EML
CHECKED	NJM
DRAWN	EML
CHECKED	NJM

**HORNER & SHIFRIN, INC.**  
ENGINEERS ■ ARCHITECTS ■ PLANNERS

**STAGE CONSTRUCTION DETAILS**  
**F.A.P. ROUTE 817 - SECTION 106BR-1**  
**WASHINGTON COUNTY**  
**STATION 690+00.00**  
**STRUCTURE NO. 095-0028**