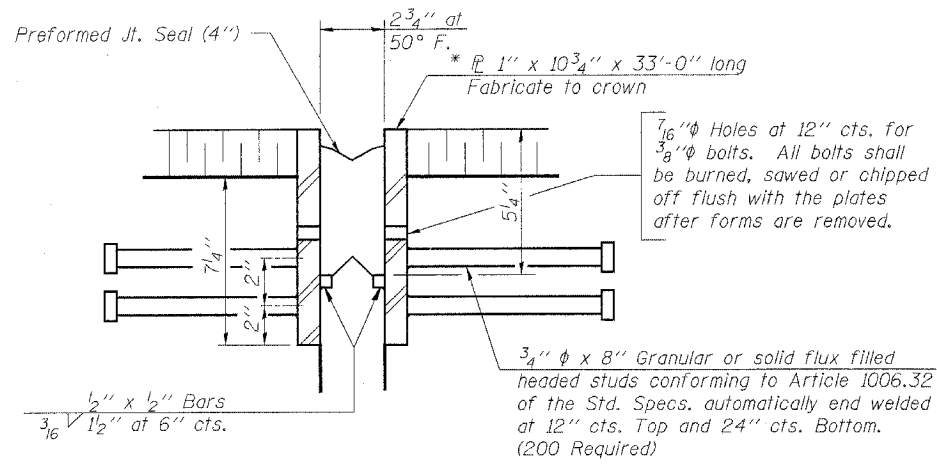


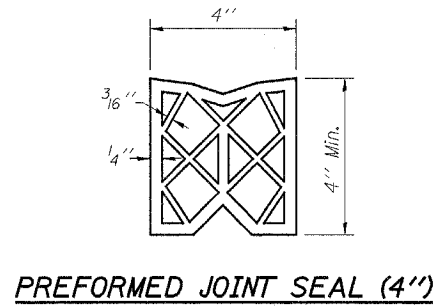
STATE OF ILLINOIS  
DEPARTMENT OF TRANSPORTATION

ROUTE NO.	SECTION	COUNTY	TOTAL SHEETS	SHEET NO.
F.A.P. 817	106BR-1	WASHINGTON	15	6
ROAD DIST. NO. 7	ILLINOIS	FED. AID PROJECT		14 SHEETS

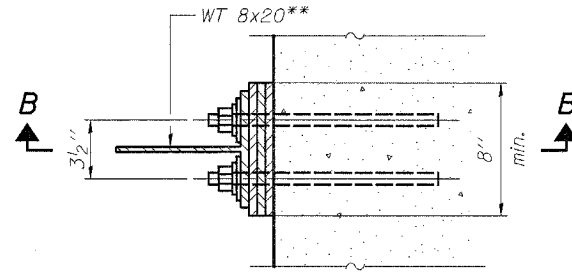


**DETAIL A**

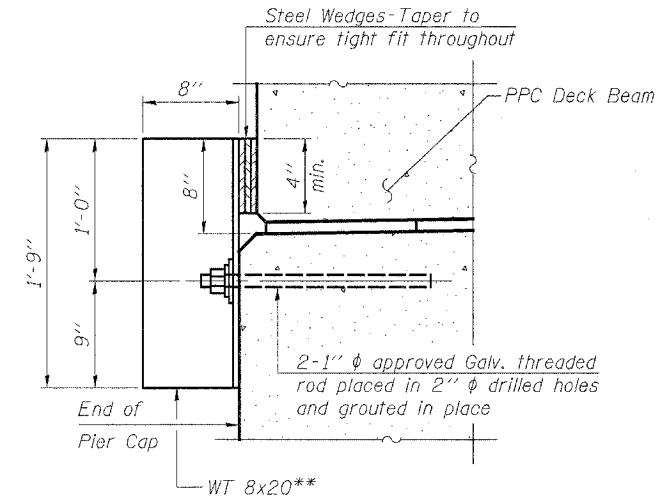
\* Furnish in segments of 20 ft. maximum length. Maximum space between installed segments shall be 3/16". Seal space with Silicone Sealant suitable for Structural Steel.



**PREFORMED JOINT SEAL (4'')**

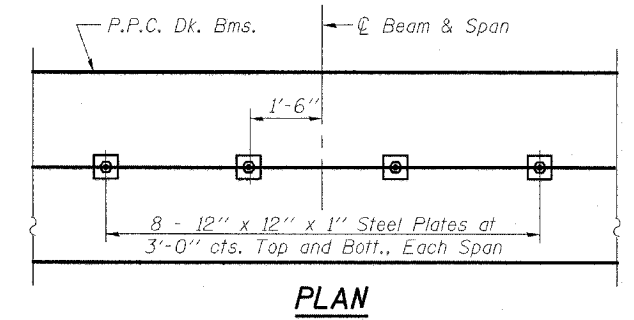


**PLAN - EXP. JT. RETAINER**

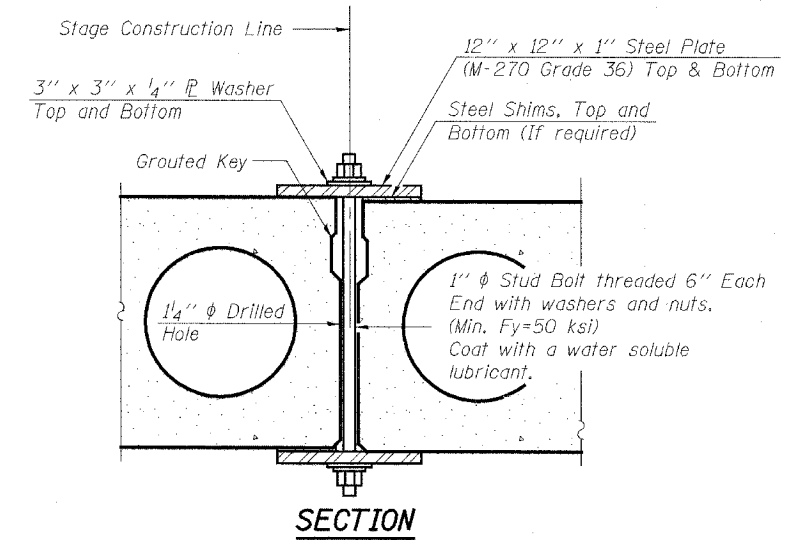


**SECTION B-B**

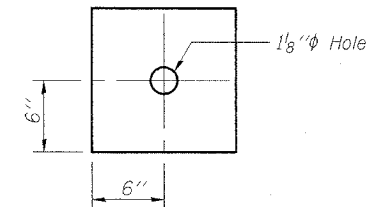
\*\* WT 8x20 and accessories shall be galvanized. Only the Steel wedges shall be removed. Cost of retainer and accessories are included with "Precast Prestressed Concrete Deck Beams".



**PLAN**



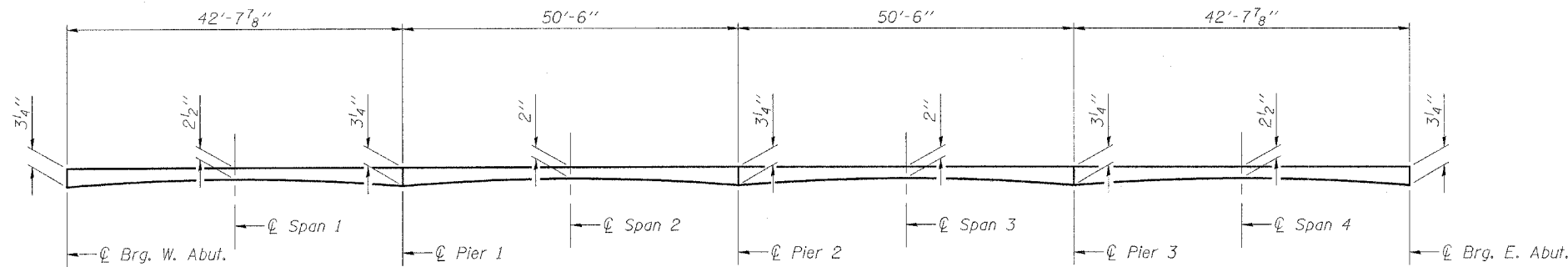
**SECTION**



**CLAMPING PLATE**

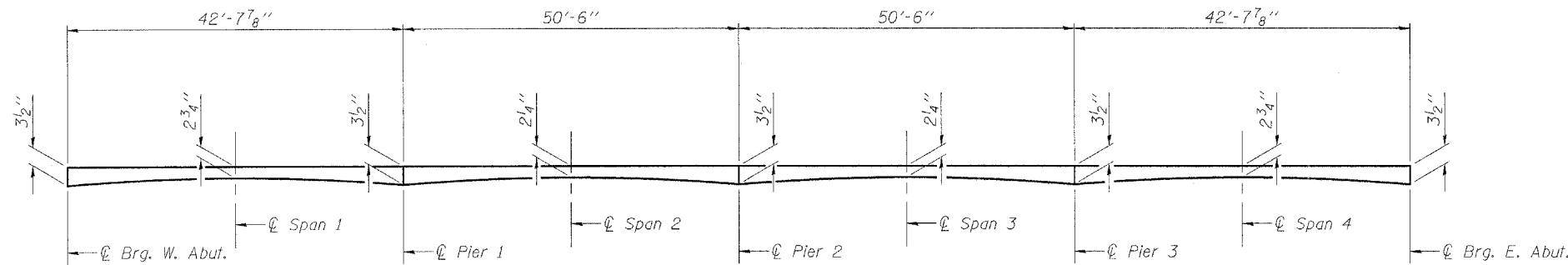
**SHEAR KEY CLAMPING DETAILS AT STAGE CONST. JT.**

See Special Provisions for Stage Construction of Precast Prestressed Concrete Deck Beams. Cost included with "Precast Prestressed Concrete Deck Beams". See Stage Construction Details for traffic lanes.



**BITUMINOUS CONCRETE SURFACE COURSE PROFILE**

(Bituminous concrete surface course along edge of beams)



**BITUMINOUS CONCRETE SURFACE COURSE PROFILE**

(Bituminous concrete surface course along Roadway)

Note:  
Bituminous Concrete Surface Course Profile dimensions include 1/2 inch for waterproofing membrane thickness.

DESIGNED	EML
CHECKED	NJM
DRAWN	EML
CHECKED	NJM

**HORNER & SHIFRIN, INC.**  
ENGINEERS ■ ARCHITECTS ■ PLANNERS

**SUPERSTRUCTURE DETAILS**  
**F.A.P. ROUTE 817 - SECTION 106BR-1**  
**WASHINGTON COUNTY**  
**STATION 690+00.00**  
**STRUCTURE NO. 095-0028**