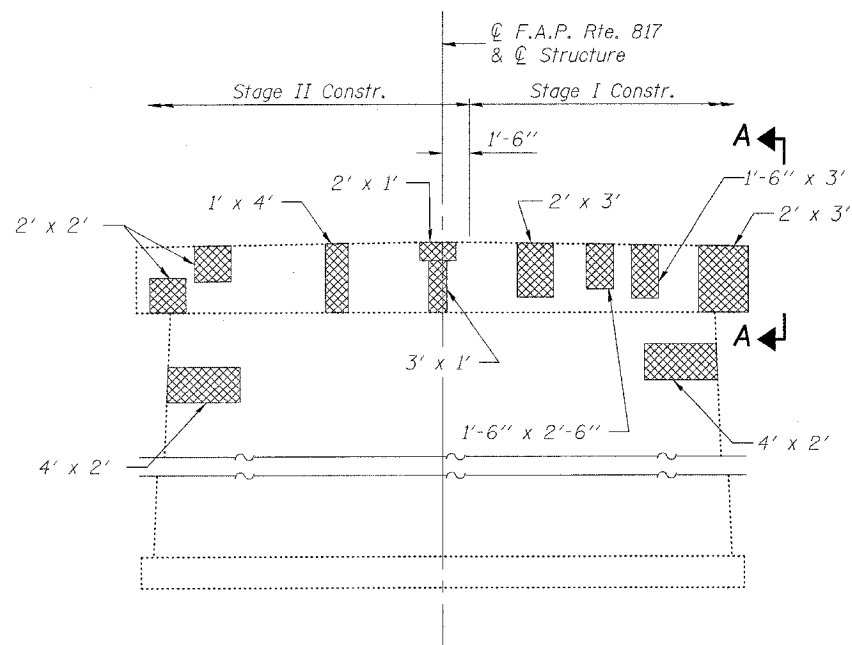
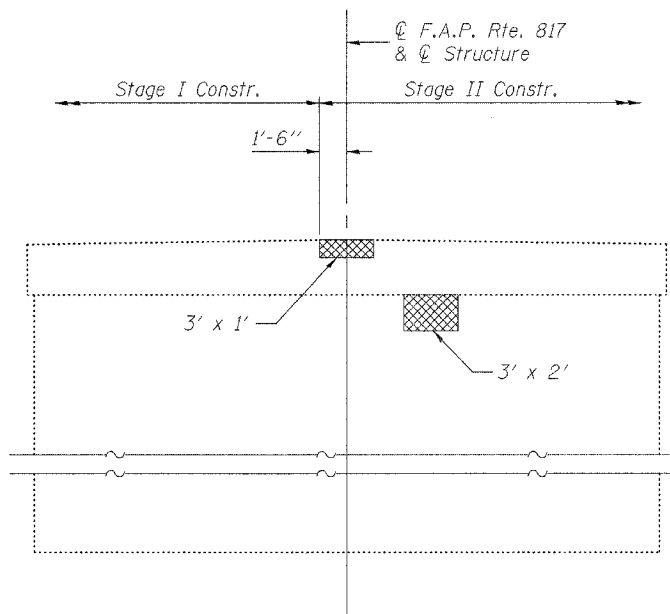


STATE OF ILLINOIS  
DEPARTMENT OF TRANSPORTATION

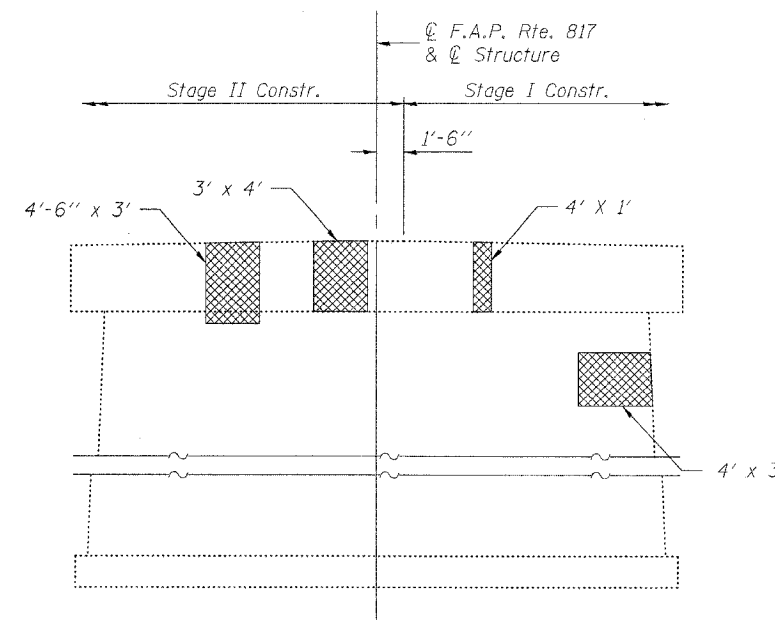
ROUTE NO.	SECTION	COUNTY	SHEET NO.	SHEET NO.
F.A.P. 817	106BR-1	WASHINGTON	22	13
FED. ROAD DIST. NO. 7	ILLINOIS	FED. AID PROJECT		14 SHEETS



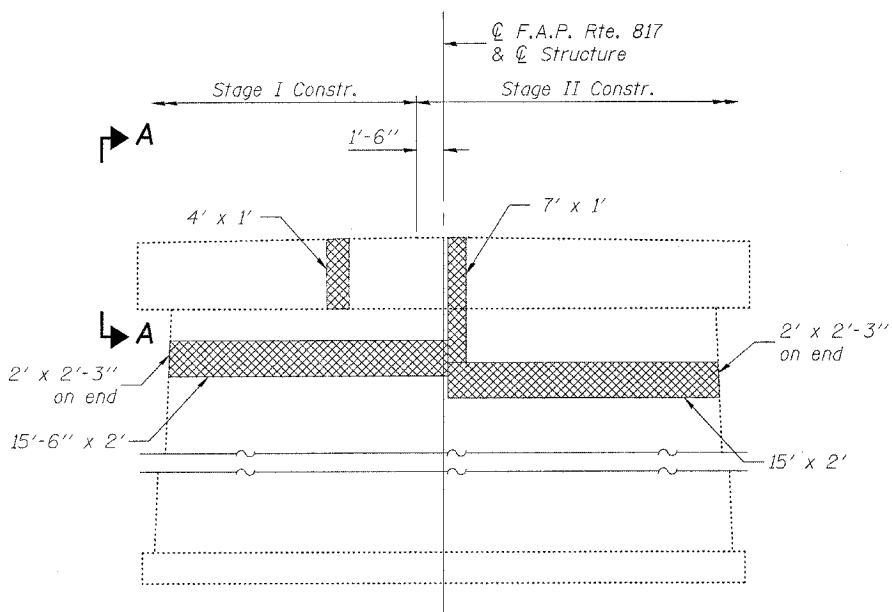
**ELEVATION-PIER 1**  
(Looking East)



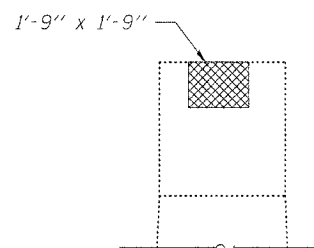
**ELEVATION-PIER 2**  
(Looking West)



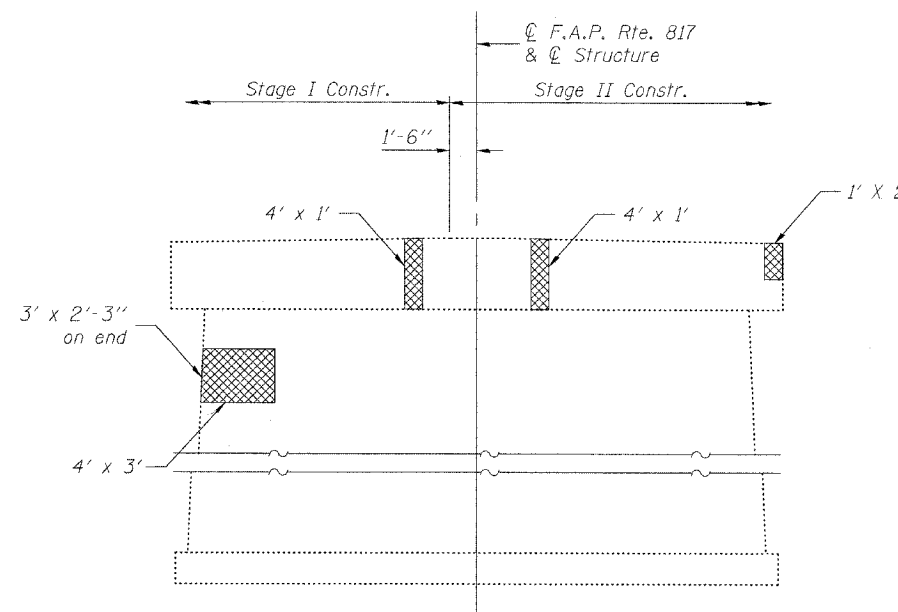
**ELEVATION-PIER 3**  
(Looking East)



**ELEVATION-PIER 1**  
(Looking West)



**VIEW A-A**



**ELEVATION-PIER 3**  
(Looking West)

Notes:  
Formed Concrete Repair shall occur during its respective stage construction and prior to placement of the new deck beams.  
See Special Provisions for Formed Concrete Repair.

**LEGEND**

Formed Concrete Repair

**BILL OF MATERIAL**

Item	Unit	Total
Formed Concrete Repair (Depth Equal to or less than 5")	Sq. Ft.	216.6

**PIER REPAIR**  
**F.A.P. ROUTE 817 - SECTION 106BR-1**  
**WASHINGTON COUNTY**  
**STATION 690+00.00**  
**STRUCTURE NO. 095-0028**

DESIGNED	EML
CHECKED	NJM
DRAWN	EML
CHECKED	NJM

**HORNER & SHIFRIN, INC.**  
ENGINEERS ■ ARCHITECTS ■ PLANNERS