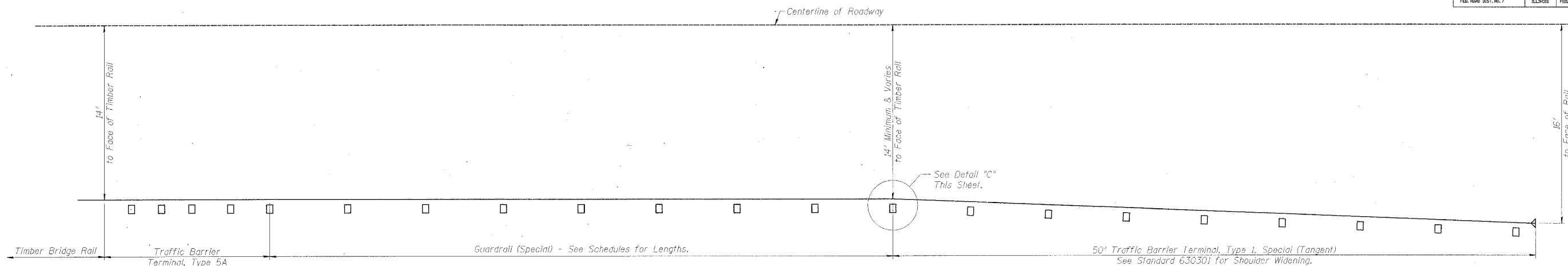
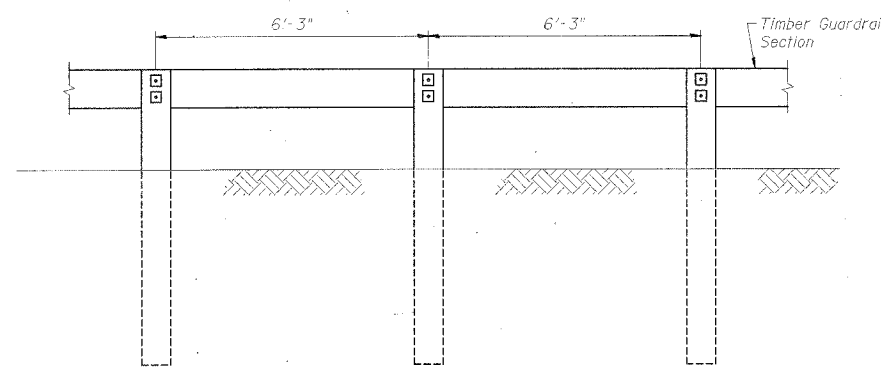


# GUARDRAIL, DETAILS

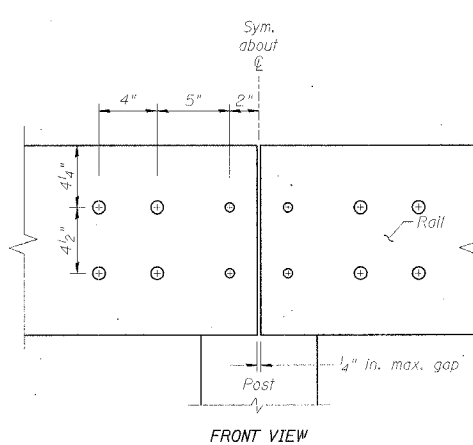
SECTION	COUNTY	SHEET	TOTAL SHEETS
98-20101-00-BR	BUREAU	65	13
FED. ROAD DIST. NO. 7		ILLINOIS	FED. AID PROJECT - BRD5-01162



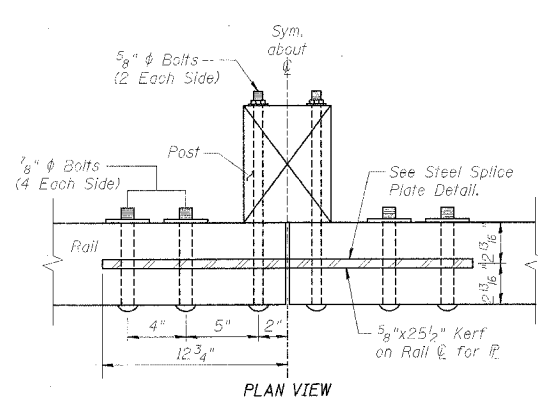
**GUARDRAIL LAYOUT PLAN**



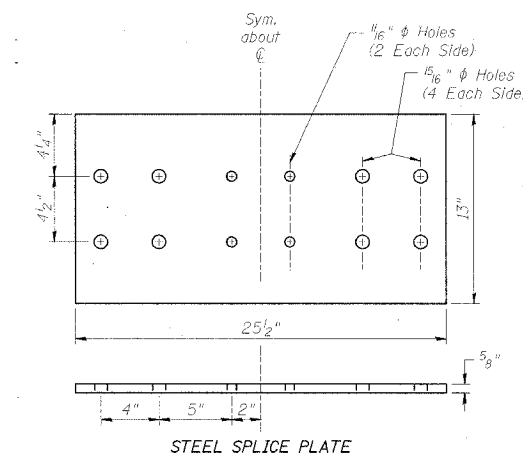
**ELEVATION AT GUARDRAIL (SPECIAL)**



**FRONT VIEW**

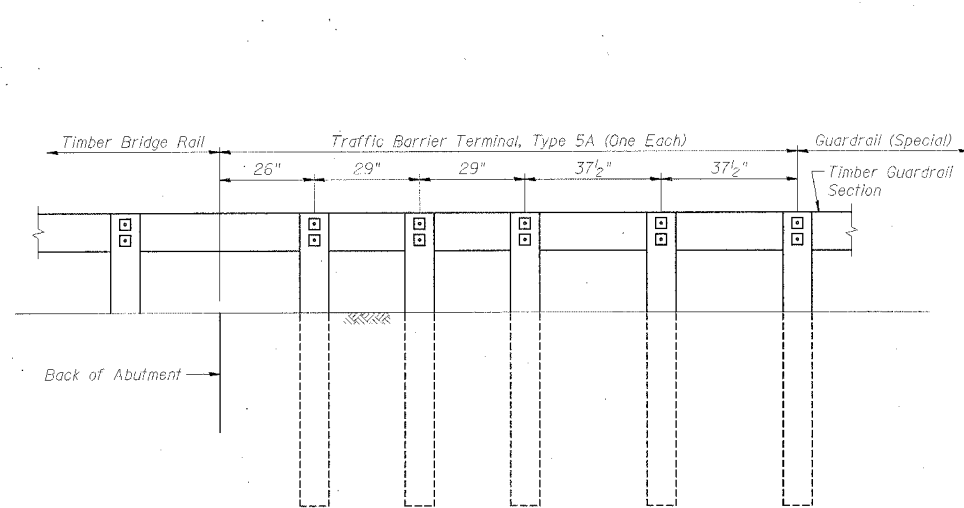


**PLAN VIEW**

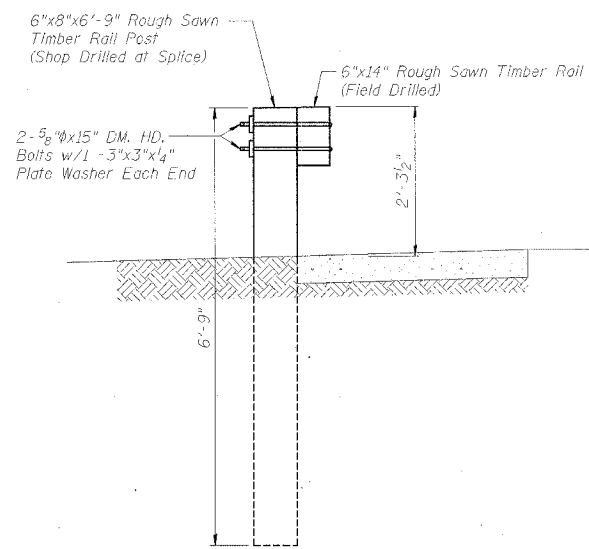


**STEEL SPLICE PLATE**

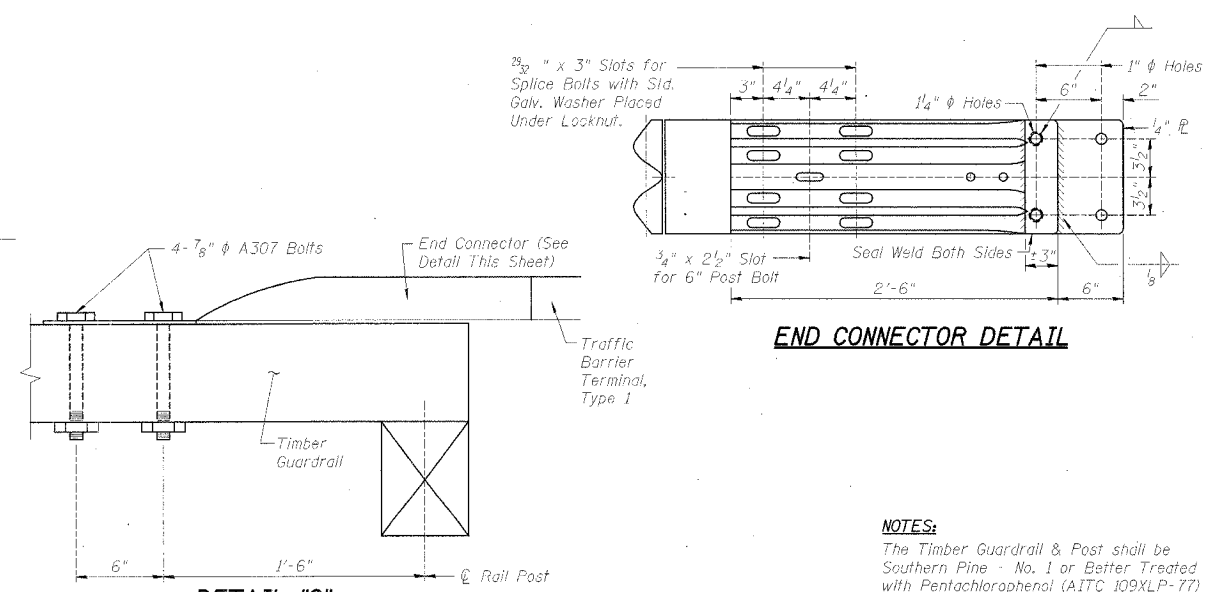
**GUARDRAIL (SPECIAL) SPLICE DETAILS**



**ELEVATION AT TRAFFIC BARRIER TERMINAL, TYPE 5A (SPECIAL)**



**SECTION AT RAIL POST**



**DETAIL "C"**

CONNECTION INCIDENTAL TO TRAFFIC BARRIER TERMINAL, TYPE 1

**END CONNECTOR DETAIL**

**NOTES:**  
The Timber Guardrail & Post shall be Southern Pine - No. 1 or Better Treated with Pentachlorophenol (AIRC 109XLP-77)

**GUARDRAIL DETAILS**  
SECTION 98-20101-00-BR  
T.R. 245 OVER BIG BUREAU CREEK  
STA. 13+70, S.N. 006-4288  
BUREAU COUNTY

WHA # 1104D04  
s:\struct\1104D04\Misc\1104guard.dgn