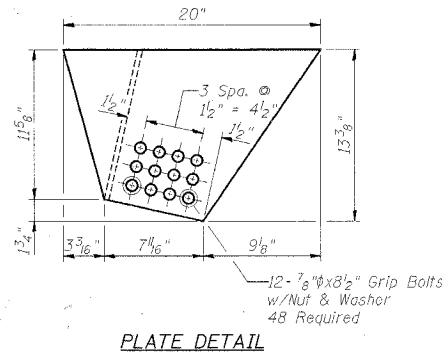
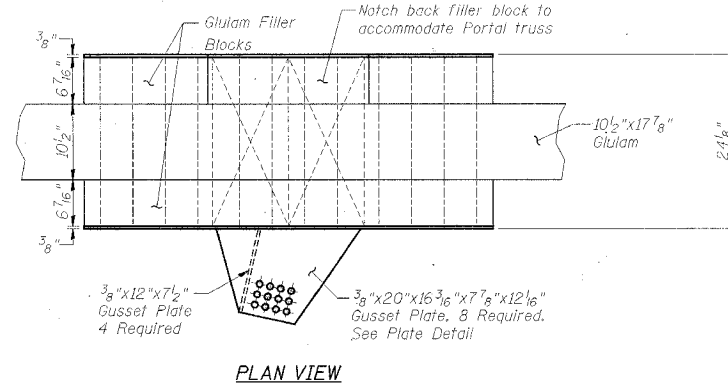
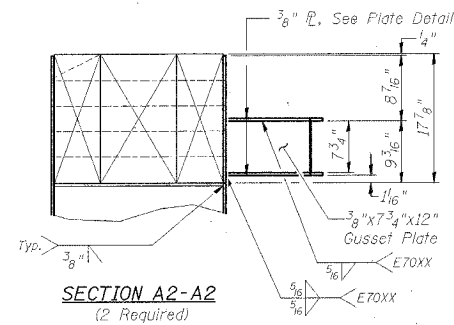
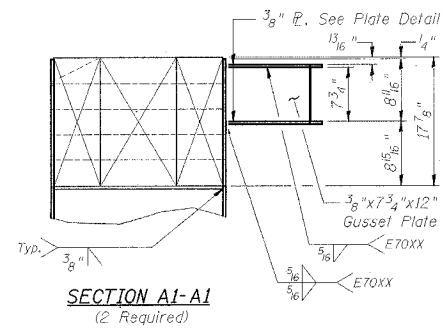


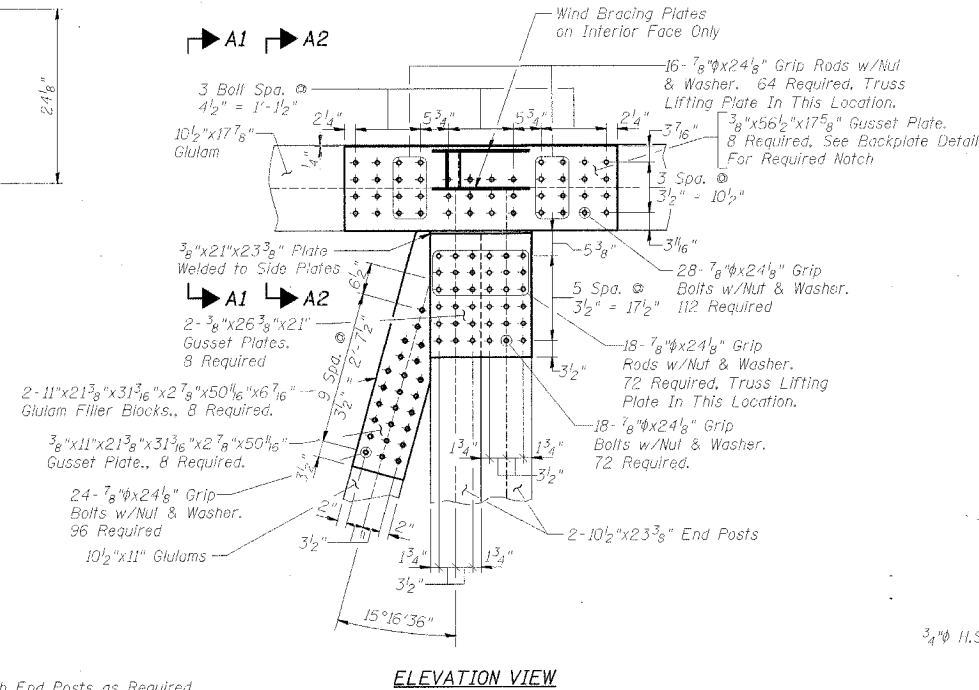
PROJECT	SECTION	COUNTY	SHEET
245	98-20101-00-BR	BUREAU	65
FED. ROAD DIST. NO. 7		ILLINOIS	FED. AID PROJECT - BR05-D11(62)

STRUCTURAL SHEET 5 OF 25

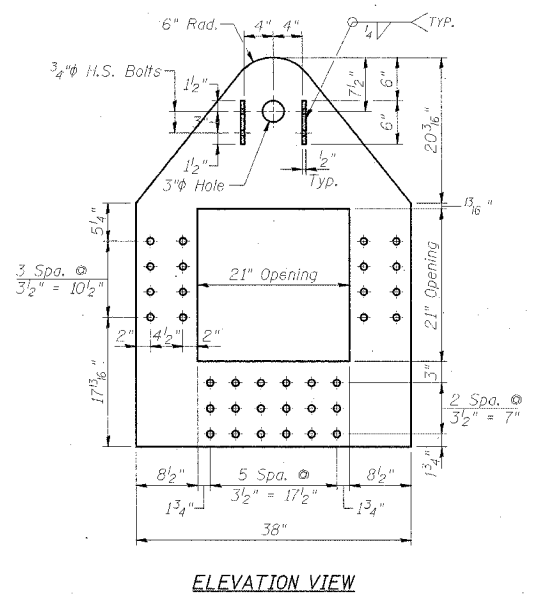
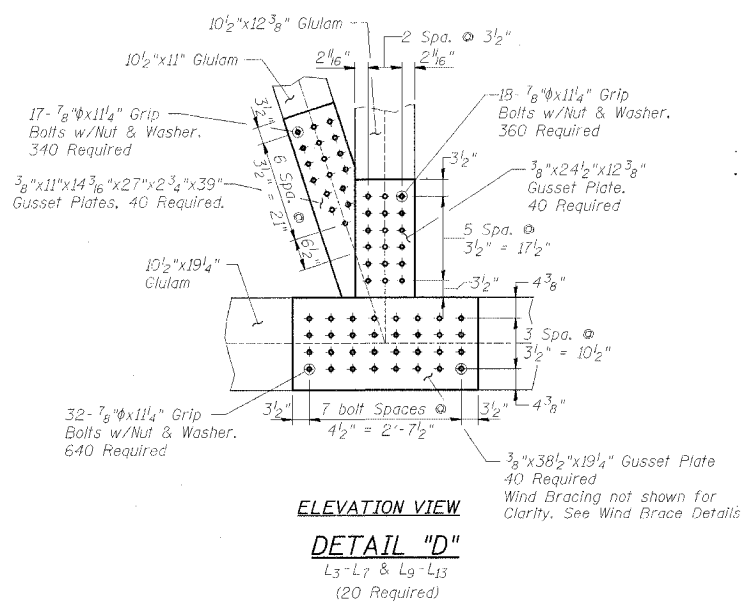
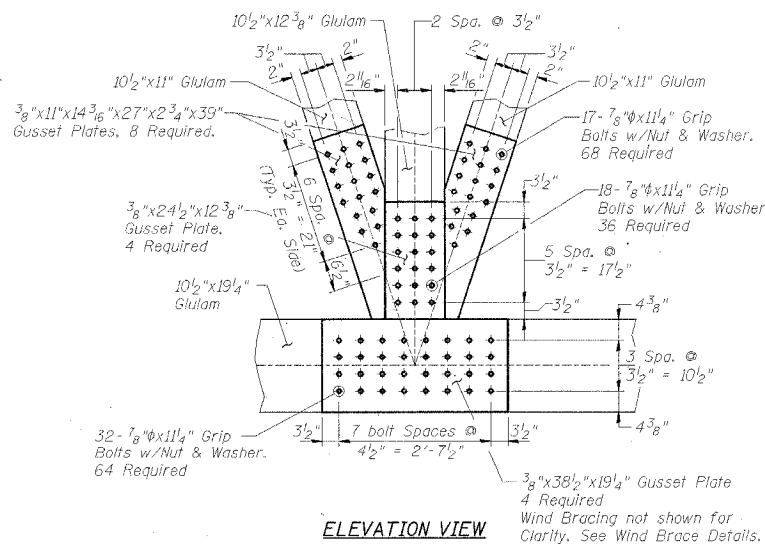
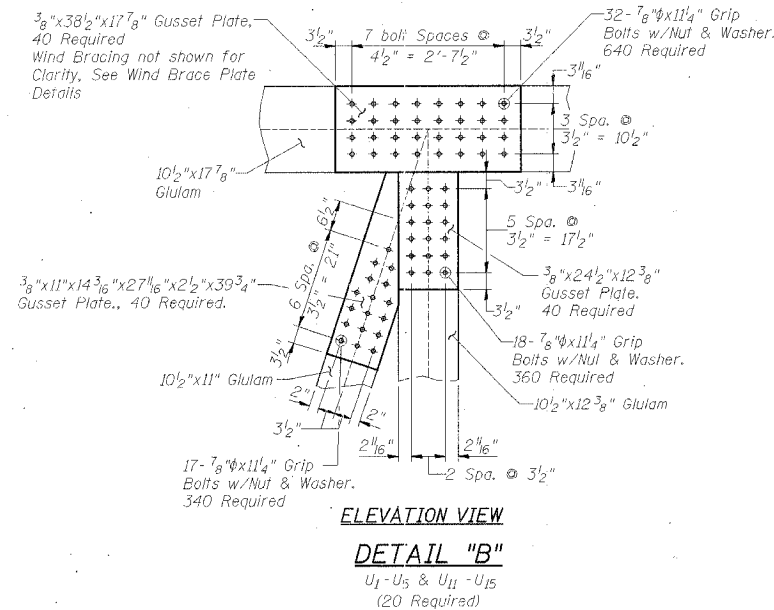
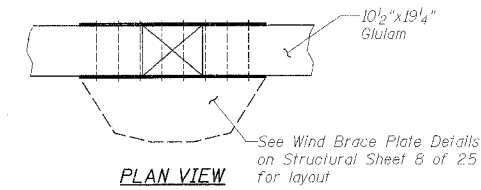
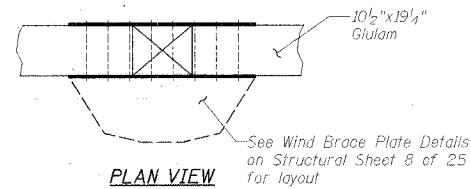
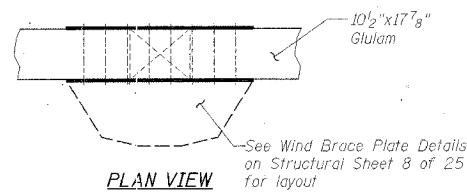
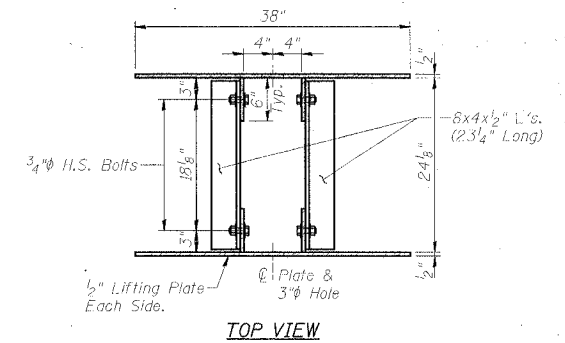
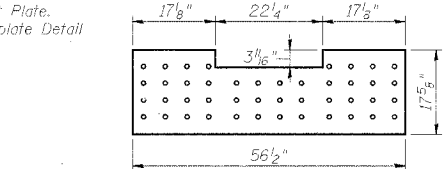


DETAIL "A"

U₁₆ Shown
U₀ Similar
(4 Required)
(See End Portal Roofing Details
Sheet for Further Details)



*Notch End Posts as Required
to Attach Cap Cover Plates.



1/2" TRUSS LIFTING PLATE

(Top of End Post Locations - 4 Required)
(Included in Cost of Furnishing & Erecting
Structural Steel)
(Total Main Truss Weight with Arches Using a Wood
Density of 40#/Ft³ & For One Truss = 67,000 lbs.)

TRUSS AND WIND BRACING DETAILS
SECTION 98-20101-00-BR
T.R. 245 OVER BIG BUREAU CREEK
STA. 13+70 (S.N. 006-4288)
BUREAU COUNTY
WHA # 1104D04