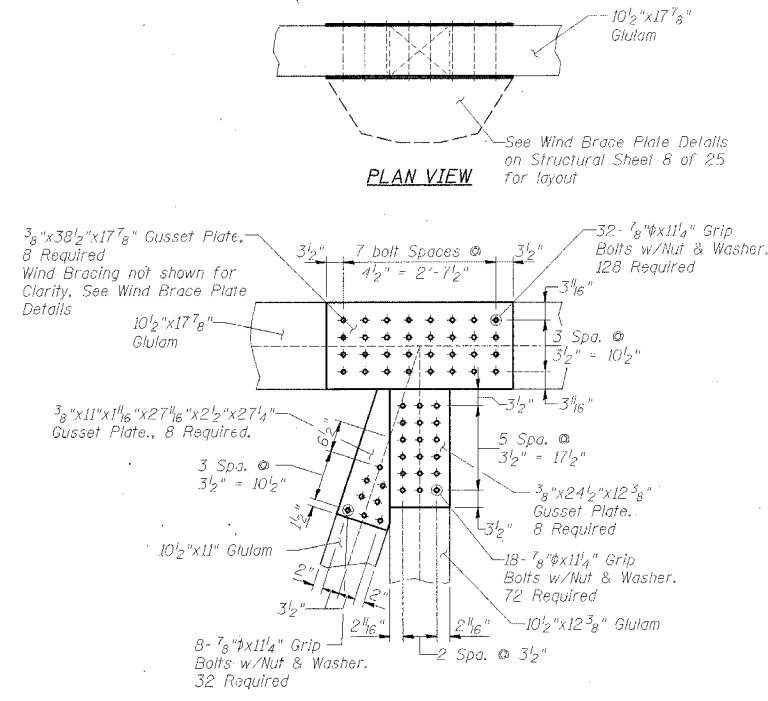
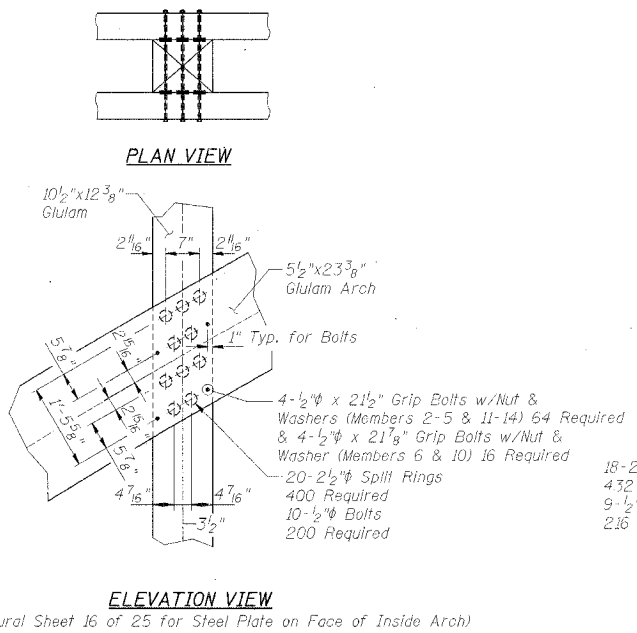


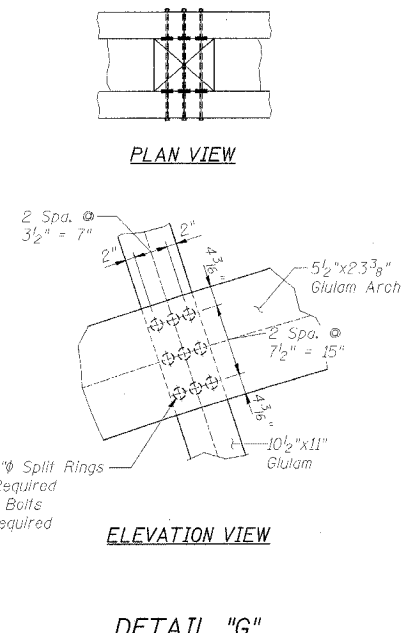
DATE	SECTION	COUNTY	PROJECT	SHEET
245	98-20101-00-BR	BUPEAU	65	39
FED. ROAD DIST. NO. 7		BILLING	FED. AID PROJECT - BROS-01162	
STRUCTURAL SHEET 6 OF 25				



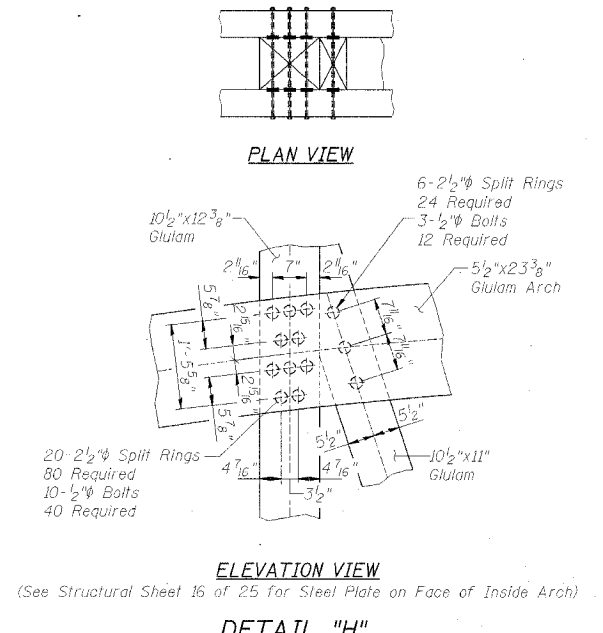
DETAIL "E"
 U₆ & U₁₀
 (4 Required)



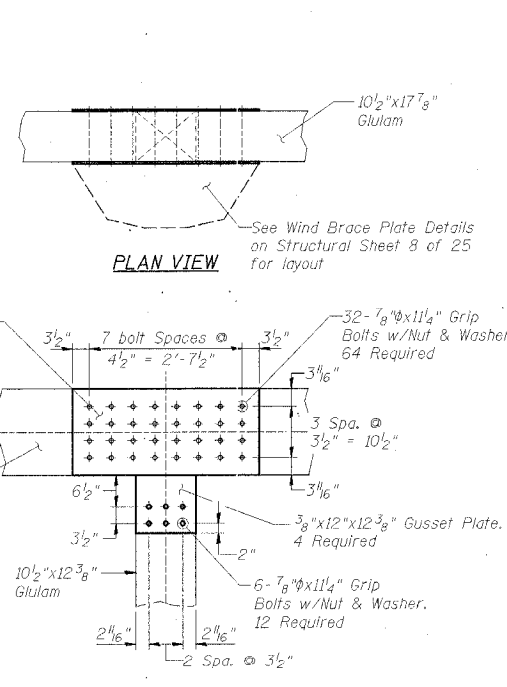
DETAIL "F"
 Vertical Member 2-6 & 10-14 at Arches
 (10 Required, Ea. Truss)



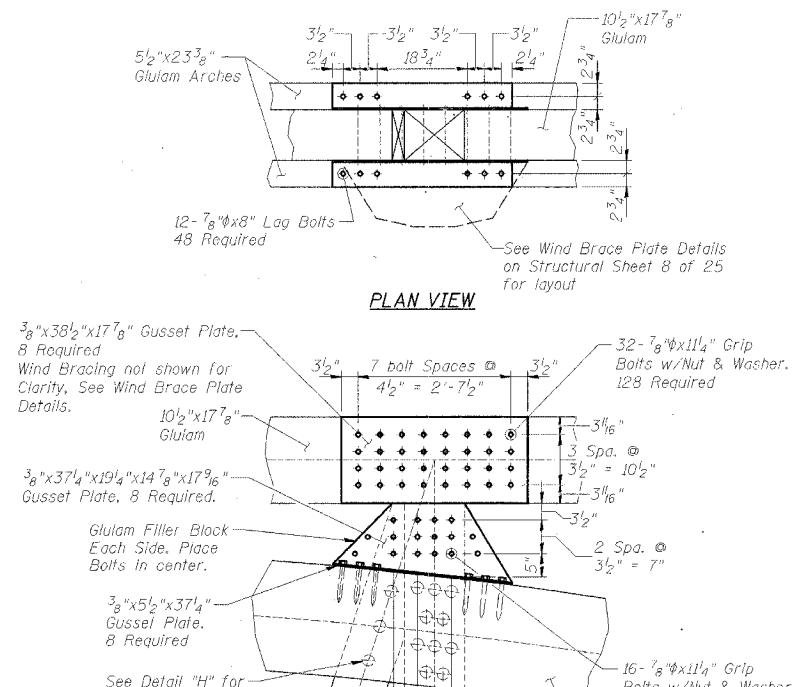
DETAIL "G"
 Diagonals U₁-U₆ & U₁₀-U₁₅ at Arches
 (12 Required, Ea. Truss)



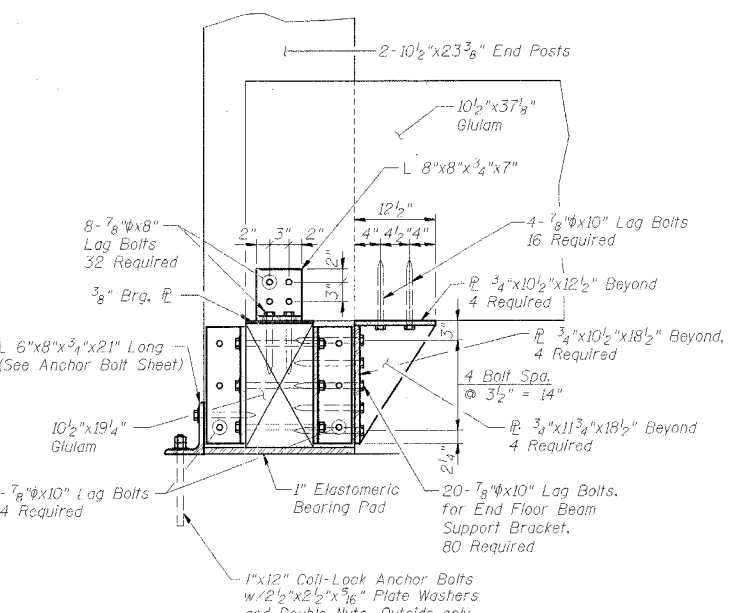
DETAIL "H"
 Vertical Member 7 & 9 at Diagonals U₇ & U₉ at Arches
 (2 Required, Ea. Truss)



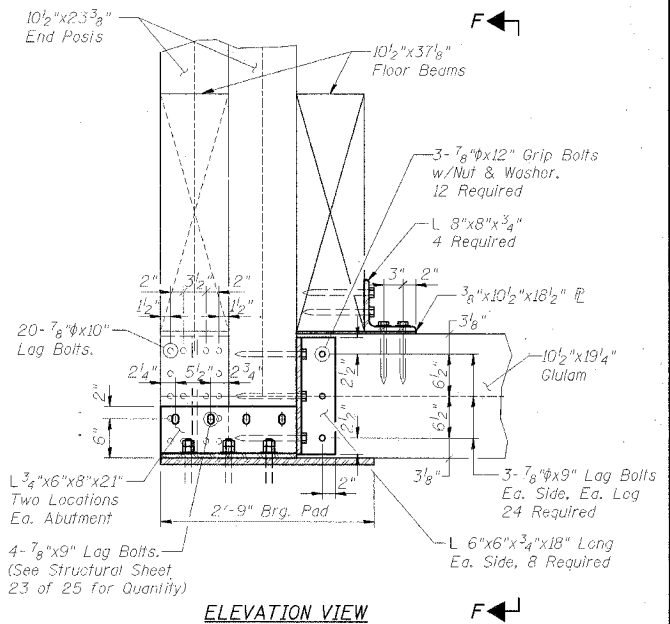
DETAIL "I"
 U₈
 (2 Required)



DETAIL "J"
 U₇ & U₉
 (4 Required)



DETAIL "K"
 L₀ & L₁₅
 (4 Required)



TRUSS AND WIND BRACING DETAILS
 SECTION 98-20101-00-BR
 T.R. 245 OVER BIG BUREAU CREEK
 STA. 13+70 (S.N. 006-4288)
 BUREAU COUNTY
 WHA # 1104004