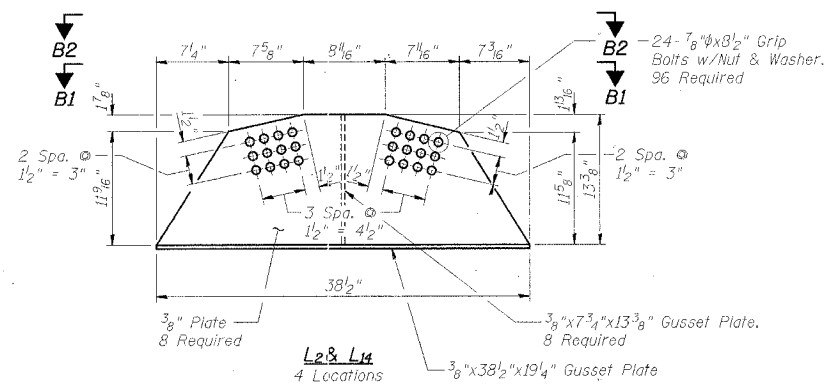
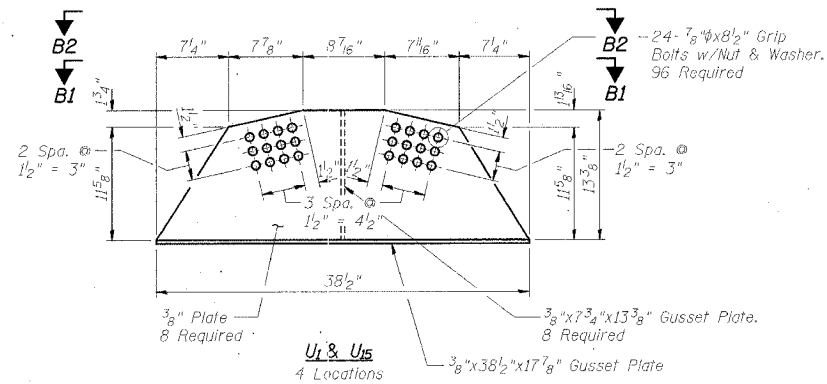
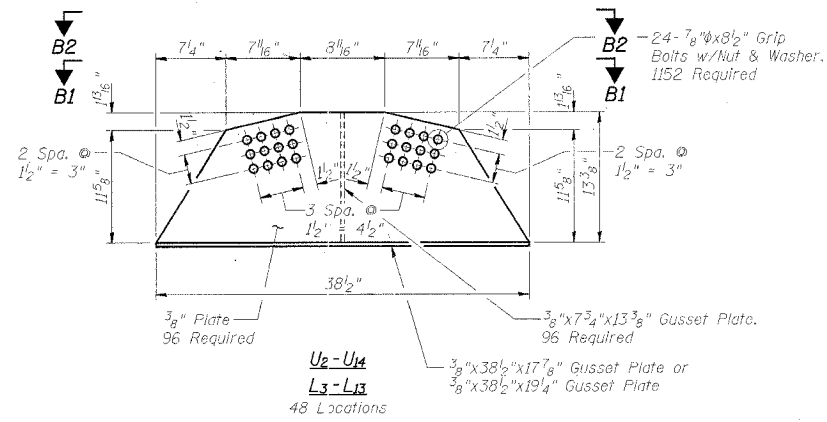
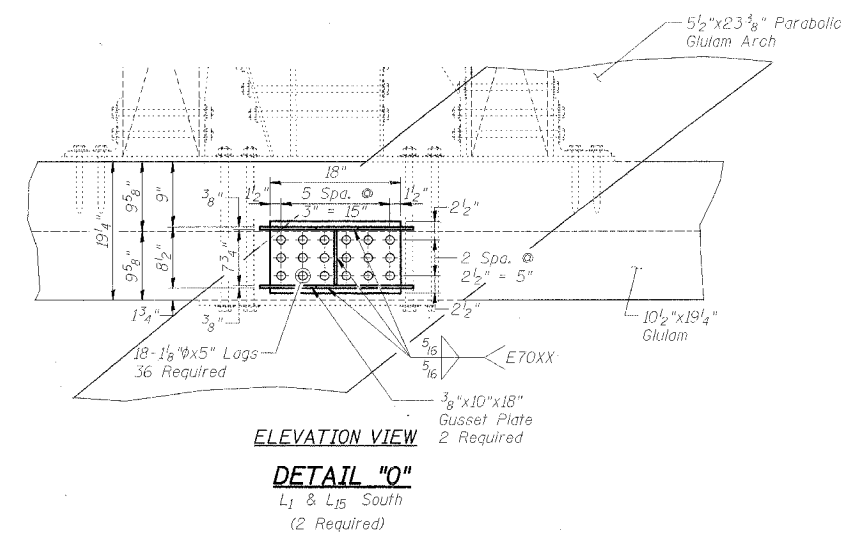
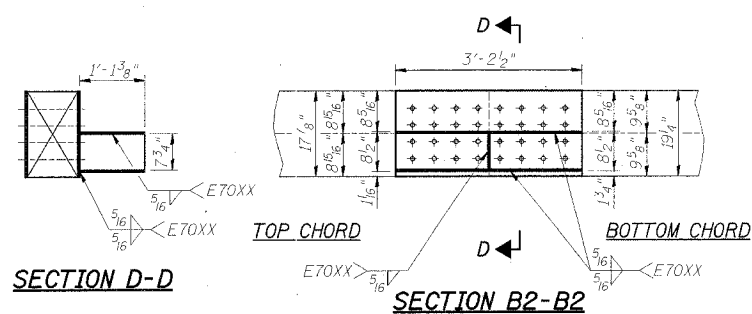
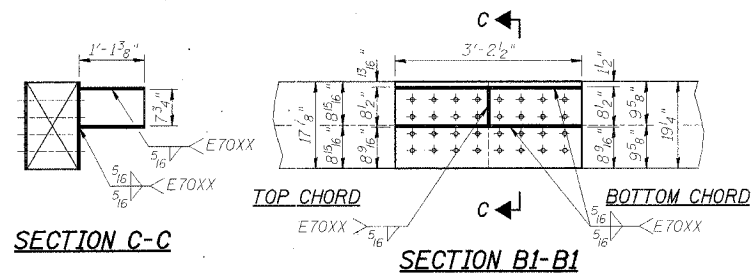
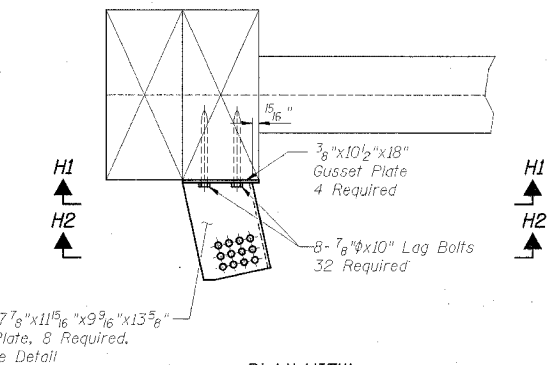
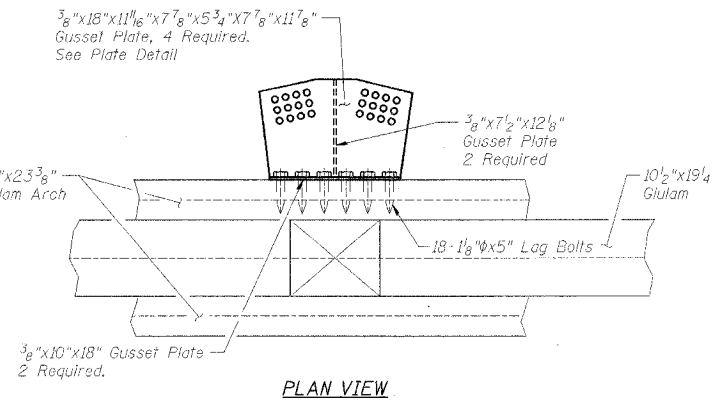
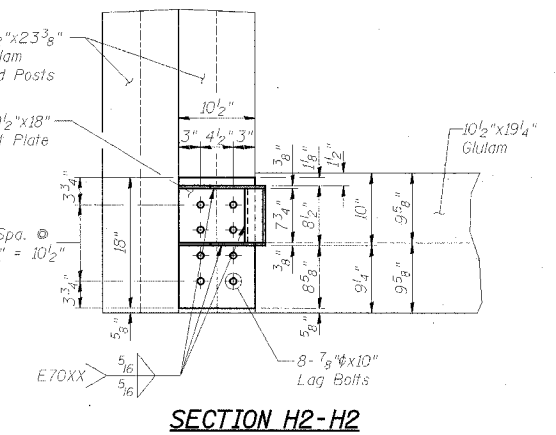
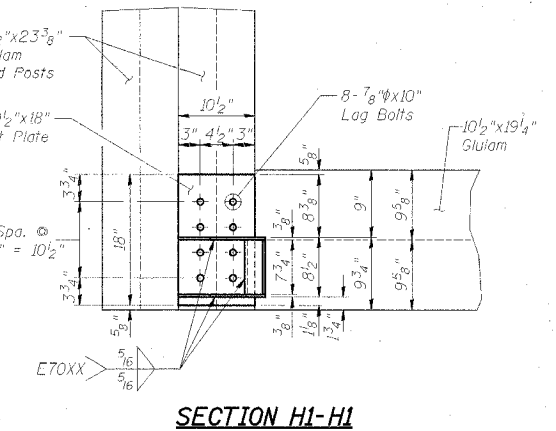
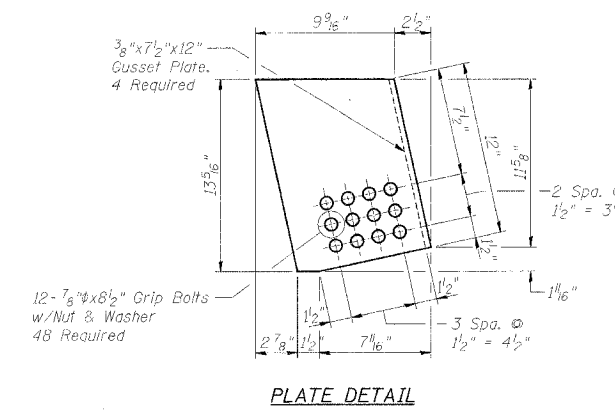
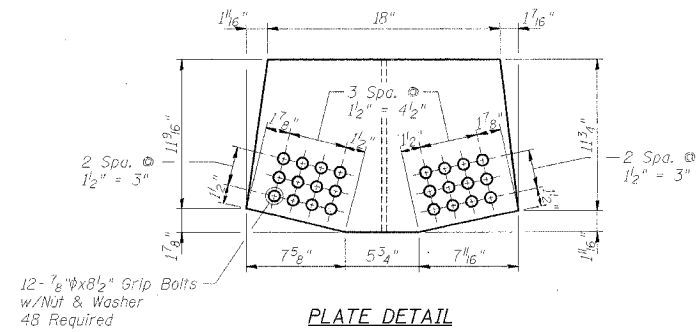


| PROJECT | SECTION | COUNTY | SHEET | DATE |
|-----------------------|----------------|----------|---------------------------------|------|
| 245 | 98-20101-00-BR | BUREAU | 65 | 41 |
| FED. ROAD DIST. NO. 7 | | ILLINOIS | FED. AID PROJECT - BR05-011(62) | |

STRUCTURAL SHEET 8 OF 25



WIND BRACE PLATE DETAILS



TRUSS AND WIND BRACING DETAILS
SECTION 98-20101-00-BR
T.R. 245 OVER BIG BUREAU CREEK
STA. 13+70 (S.N. 006-4288)
BUREAU COUNTY
WHA # 1104D04