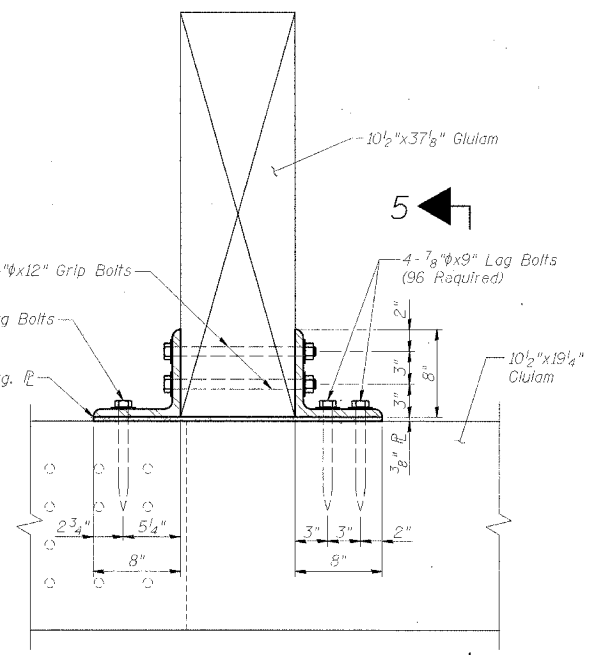
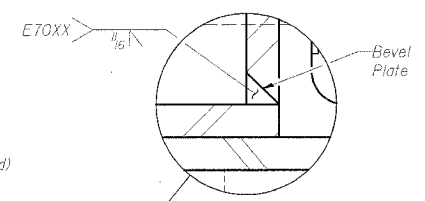
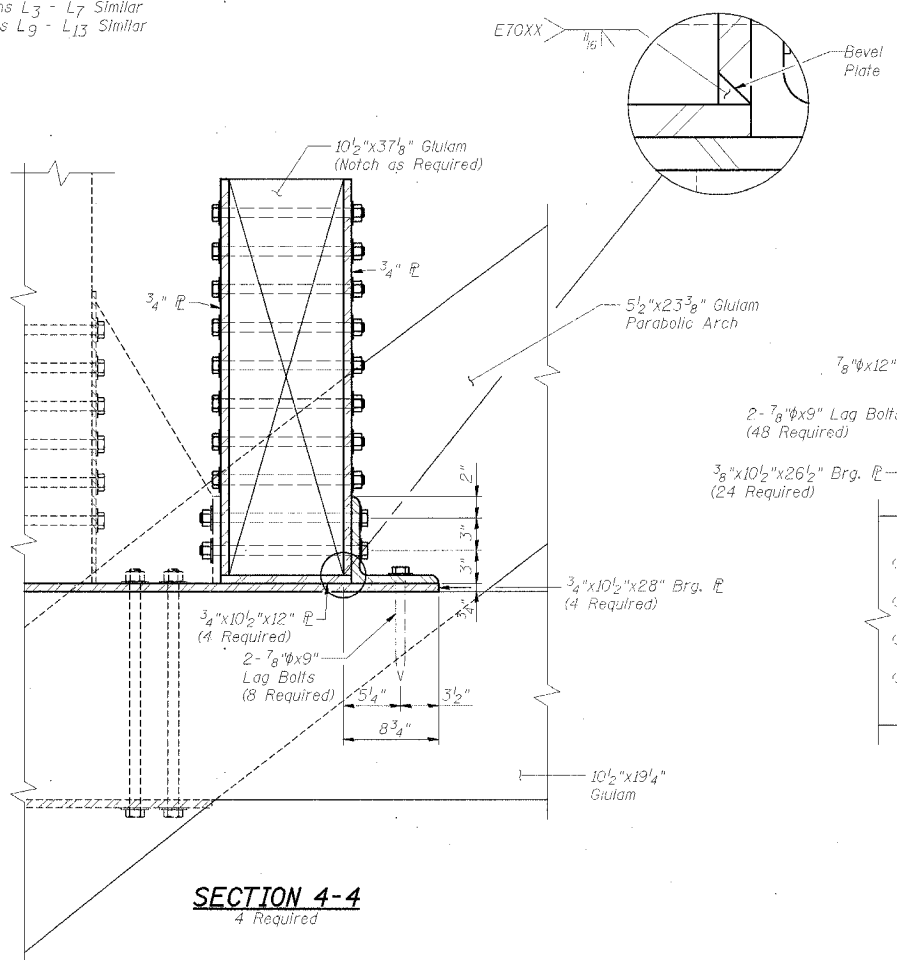
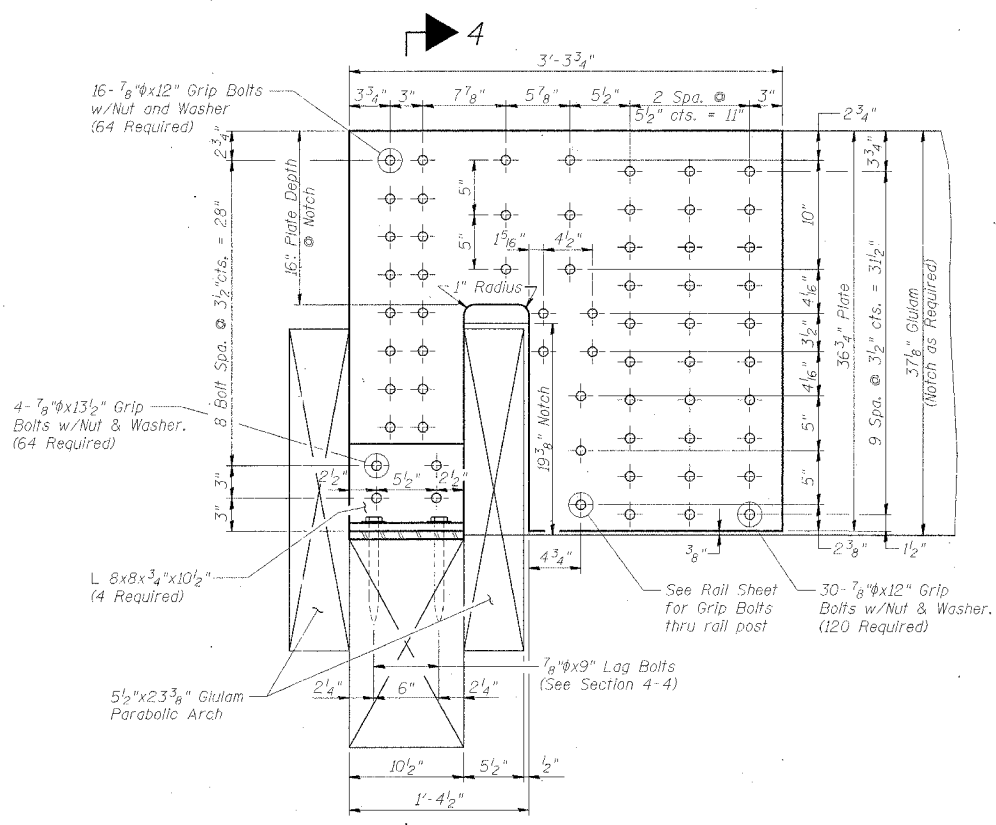
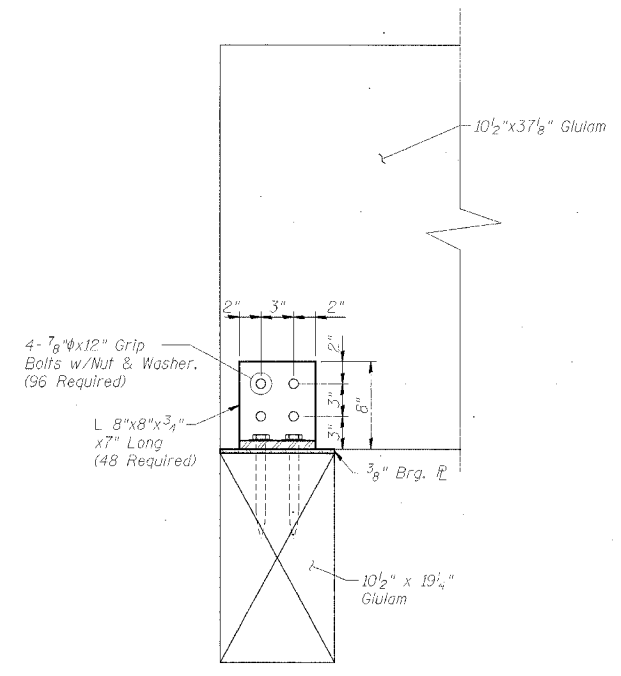
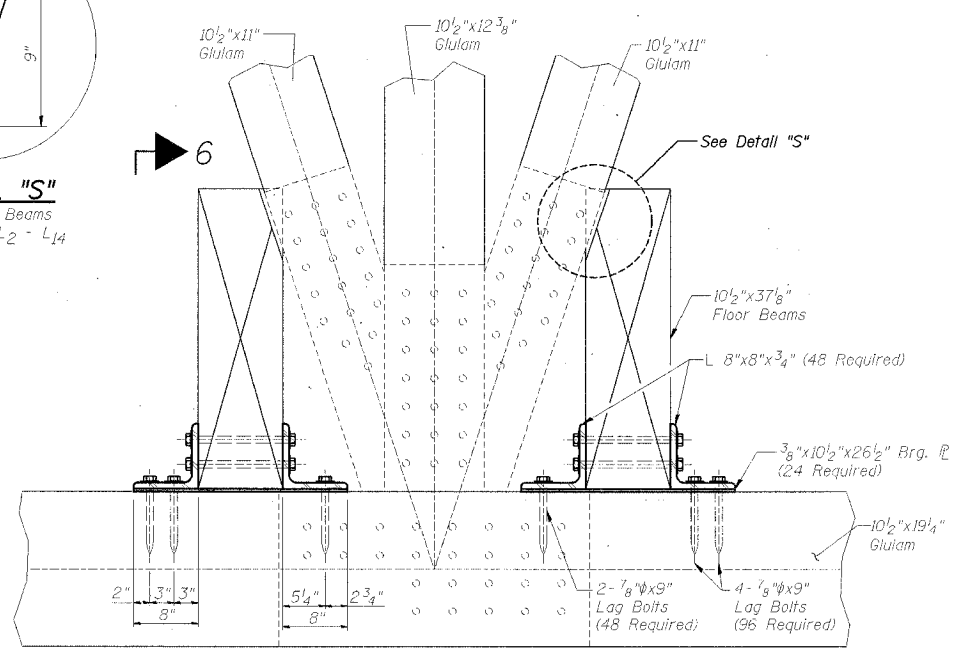
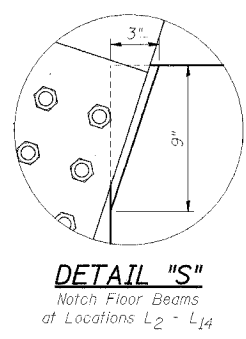
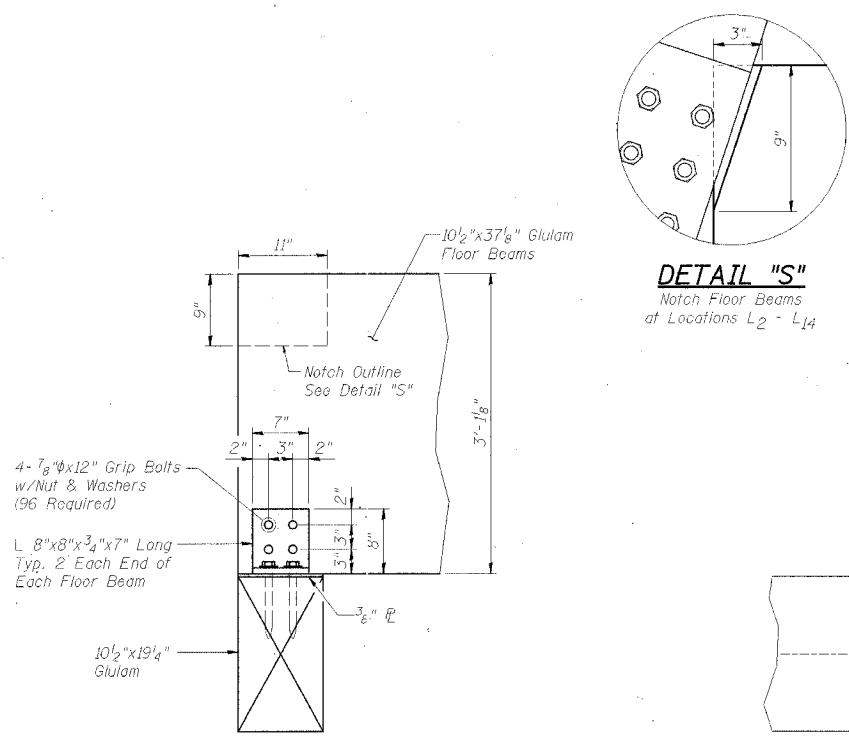


DATE	SECTION	COUNTY	SHEET	PROJECT
245	98-20101-00-BR	BUREAU	65	44
FED. ROAD DIST. NO. 7	ILLINOIS	FED. AID PROJECT: BR05-01(62)		

STRUCTURAL SHEET 11 OF 25



DECK DETAILS
SECTION 98-20101-00-BR
T.R. 245 OVER BIG BUREAU CREEK
STA. 13+70 (S.N. 006-4288)
BUREAU COUNTY
WHA # 1104D04