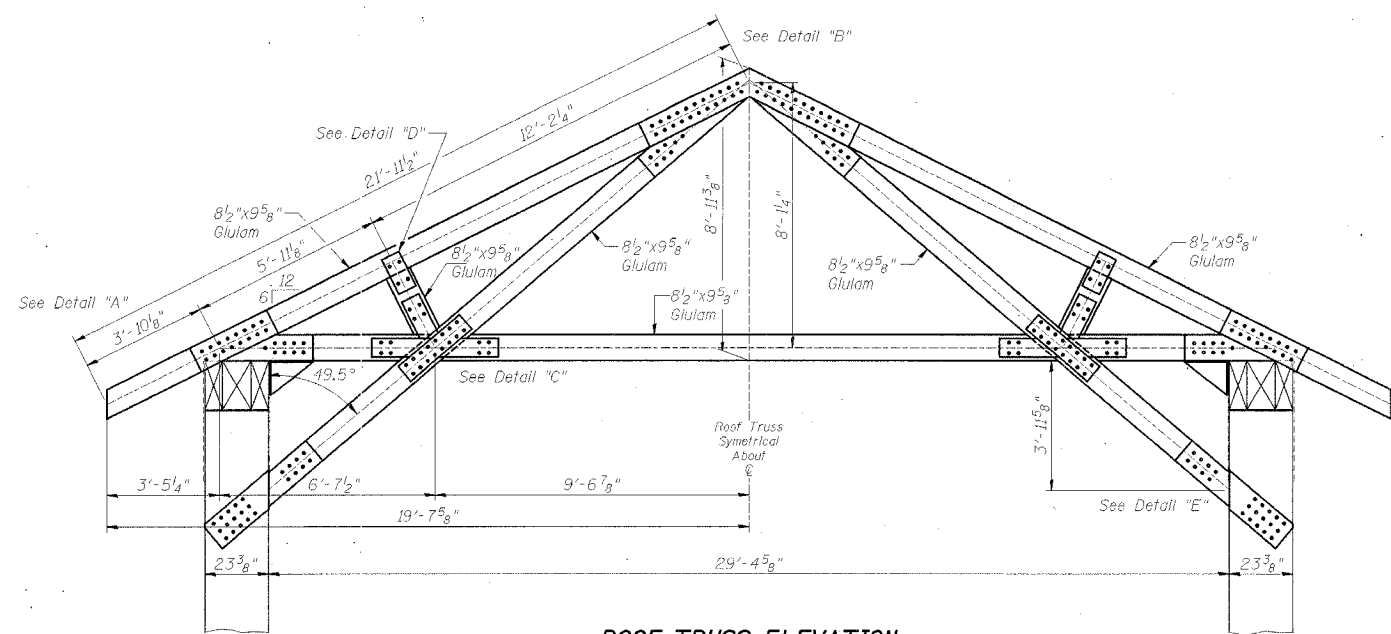
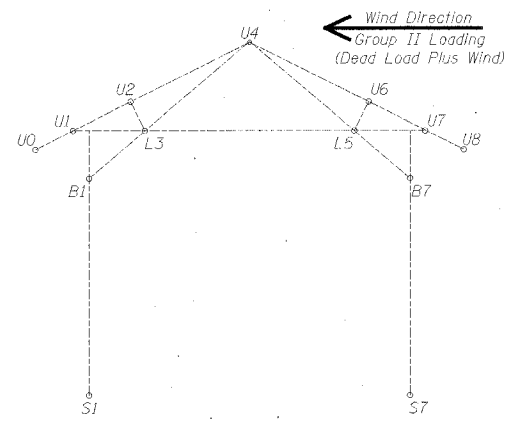


DATE	SECTION	COUNTY	SHEET	TOTAL SHEETS
245	98-20101-00-BR	BUREAU	65	50
FED. ROAD DIST. NO. 7		ILLINOIS	FED. AID PROJECT-BROS-011-(62)	

STRUCTURAL SHEET 17 OF 25



**ROOF TRUSS ELEVATION
PORTAL TRUSSES**
(4 Trusses Required)



MEMBER END FORCE DIAGRAM

LOAD TABLE

Member Location	I Node	J Node	I Node			J Node		
			Axial k	Shear k	Moment ft-k	Axial k	Shear k	Moment ft-k
Knee Brace	B1	L3	123.79	-0.26	0.00	123.41	-0.26	0.00
Knee Brace	L3	U4	81.06	-0.55	0.00	80.26	-0.55	0.00
Knee Brace	U4	L5	-87.84	0.55	0.00	-87.04	0.55	0.00
Knee Brace	L5	B7	-117.70	0.26	0.00	-117.32	0.26	0.00
Bottom Chord	U1	L3	-42.67	8.40	0.00	-42.67	8.91	43.40
Bottom Chord	L3	L5	-2.89	-5.02	43.40	-2.89	-2.84	-40.26
Bottom Chord	L5	U7	25.50	7.77	-40.26	25.50	8.29	0.00
Top Chord	U0	U1	-0.11	0.22	0.16	-0.26	0.53	0.94
Top Chord	U1	U2	-64.31	7.59	20.06	-64.47	7.90	34.48
Top Chord	U2	U4	-65.07	-3.57	33.63	-65.53	-2.80	17.56
Top Chord	U4	U6	83.09	4.27	-26.71	82.54	2.83	-36.24
Top Chord	U6	U7	81.95	-8.71	-35.42	81.80	-9.29	-18.48
Top Chord	U7	U8	0.44	0.81	1.49	0.21	0.33	0.28
Strut	U2	L3	11.52	-0.05	0.00	11.73	-0.05	0.00
Strut	L5	U6	-9.19	0.05	0.00	-9.40	-0.05	0.00
Column	S1	B1	61.95	15.0	0.00	59.90	15.0	311.9
Column	B1	U1	-13.64	-84.5	311.9	-13.97	-84.6	0.00
Column	S7	B7	14.69	15.3	0.00	12.65	15.3	304.4
Column	B7	U7	81.94	-81.2	304.4	81.61	-81.2	0.00

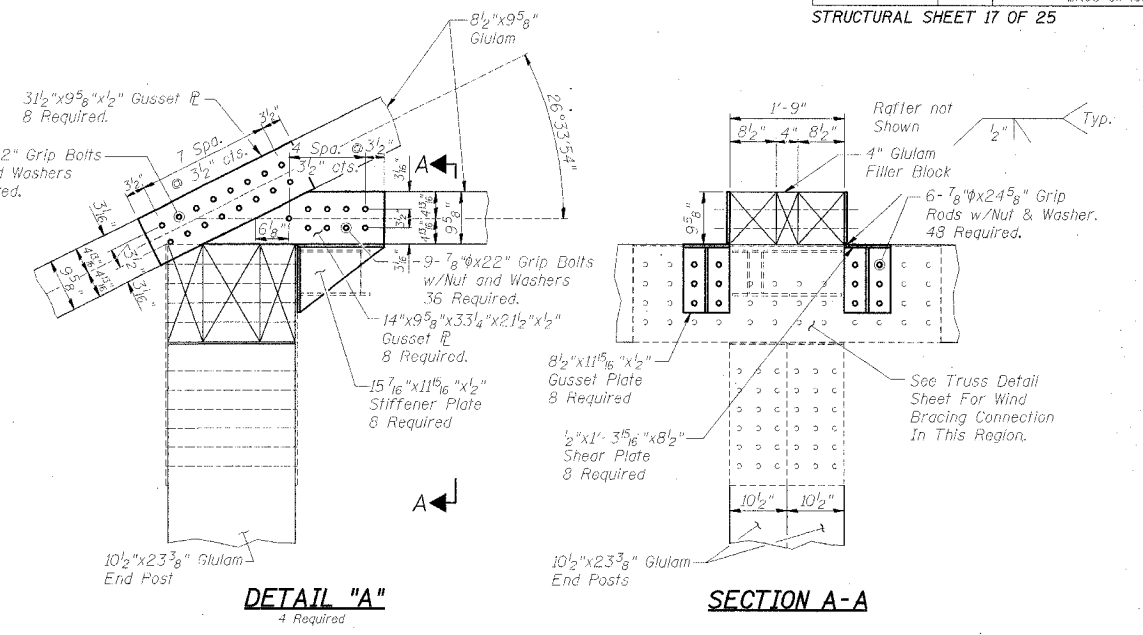
GENERAL NOTES

Gusset plates may be cut from a single plate or made up of multiple plates welded together to form the required shape. Welding shall be in accordance with the requirements of the special provisions.

Fasteners shall be 7/8" φ A307 bolts, (open hole 5/16" φ) unless otherwise noted.

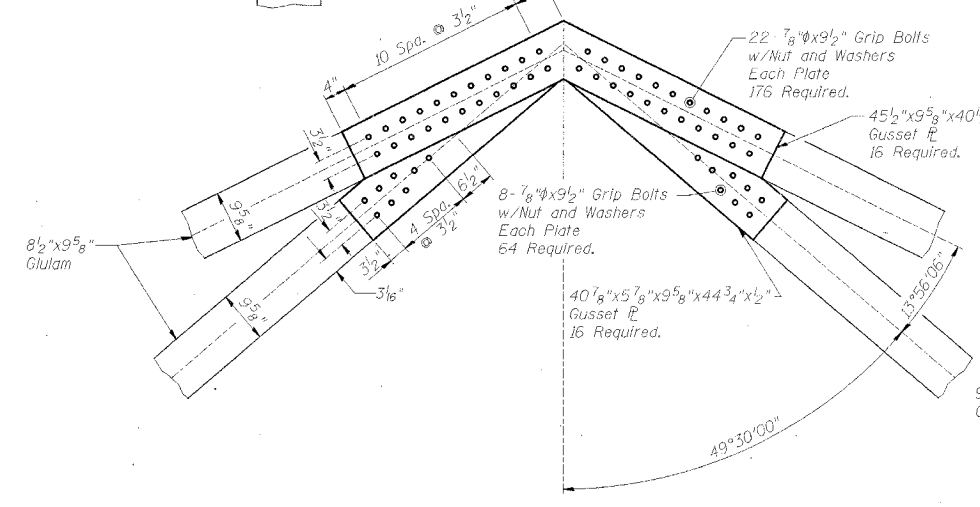
See specifications for required finish for steel gusset plates.

All reentrant cuts shall be filleted to a radius of not less than 3/4 inch.

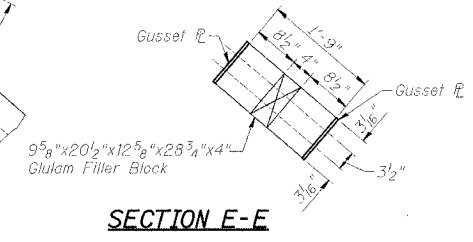


DETAIL "A"
4 Required

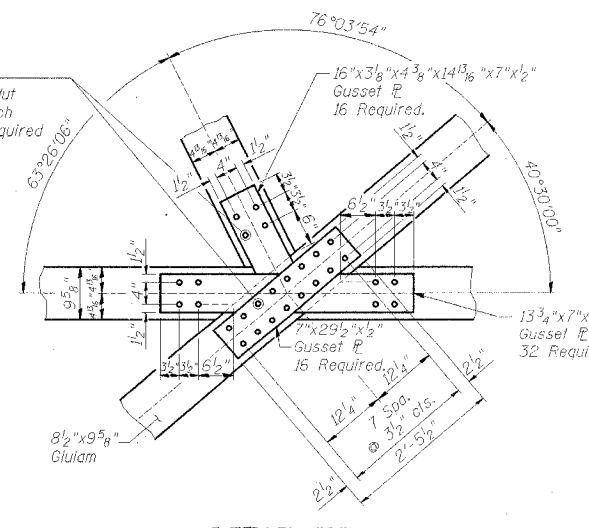
SECTION A-A



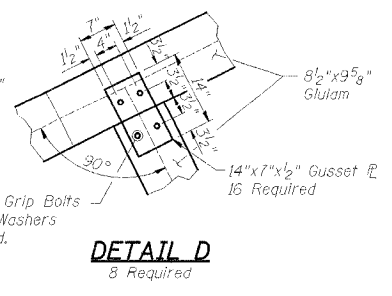
DETAIL "B"
4 Required



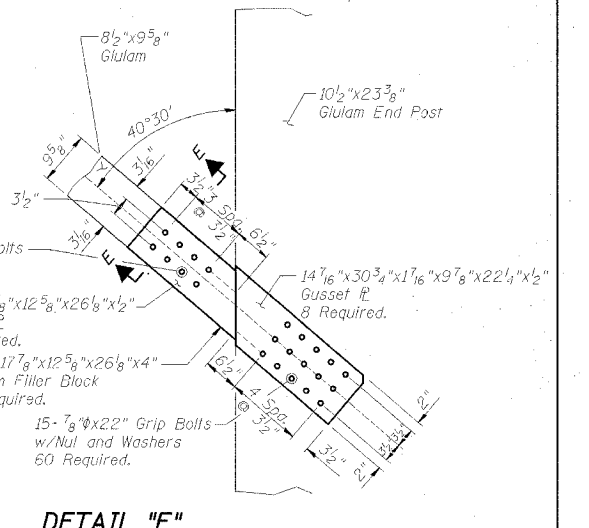
SECTION E-E



DETAIL "C"
8 Required



DETAIL "D"
8 Required



DETAIL "E"
4 Required

END PORTAL ROOFING DETAILS
SECTION 98-20101-00-BR
T.R. 245 OVER BIG BUREAU CREEK
STA. 13+70 (S.N. 006-4288)
BUREAU COUNTY
WHA # 1104D04