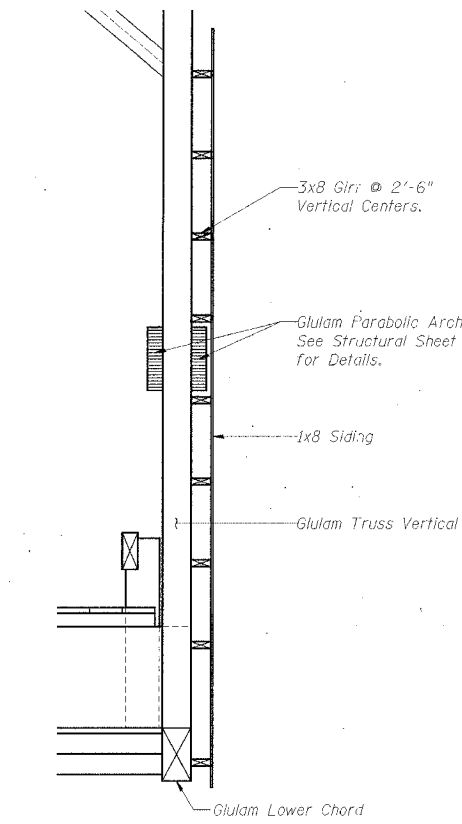
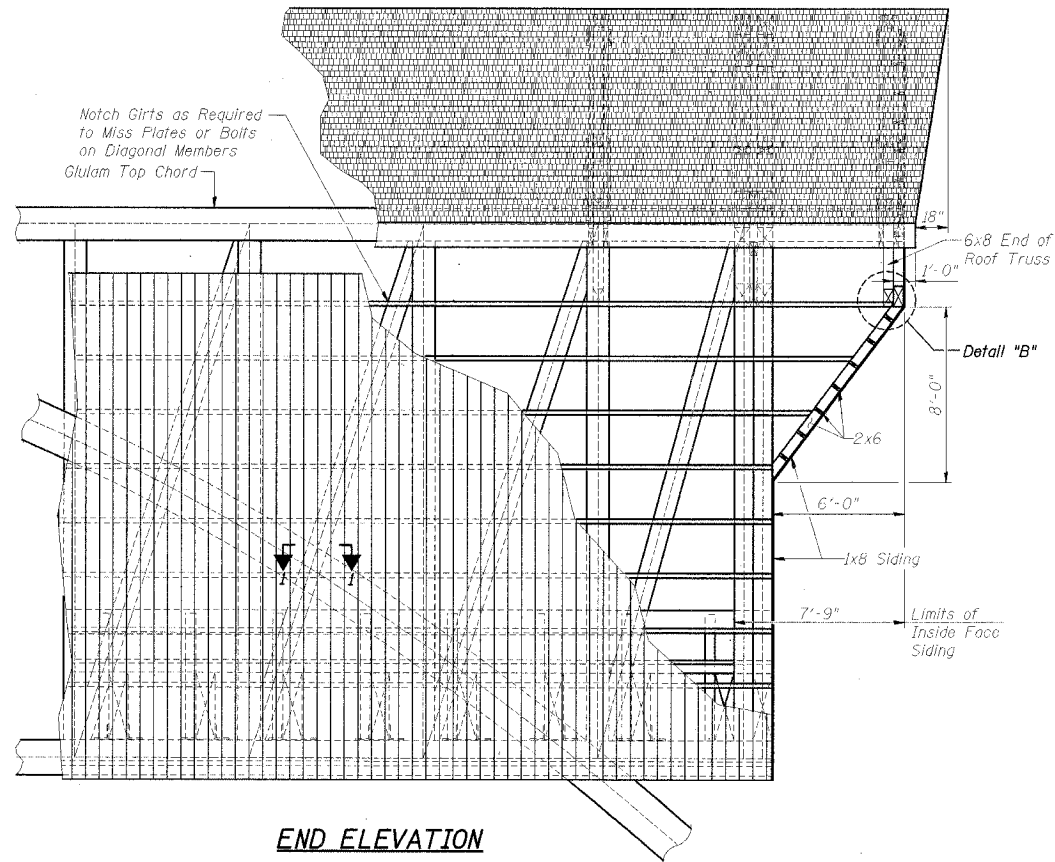


DATE	SECTION	COUNTY	SHEETS	SHEET
2-2-11	98-20101-00-BR	BUREAU	65	51
FED. ROAD DIST. NO. 7		ILLINOIS	FED. AID PROJECT: BR05-011(62)	

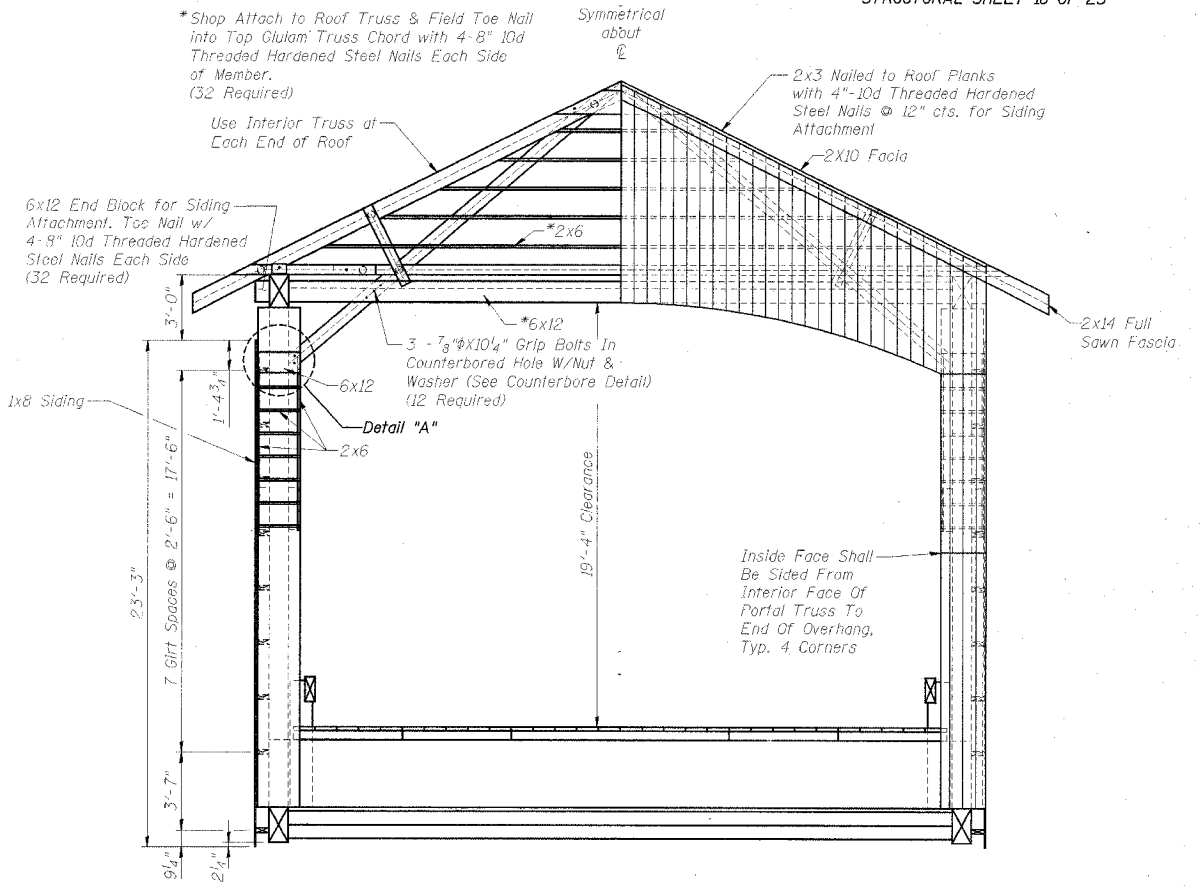
STRUCTURAL SHEET 18 OF 25



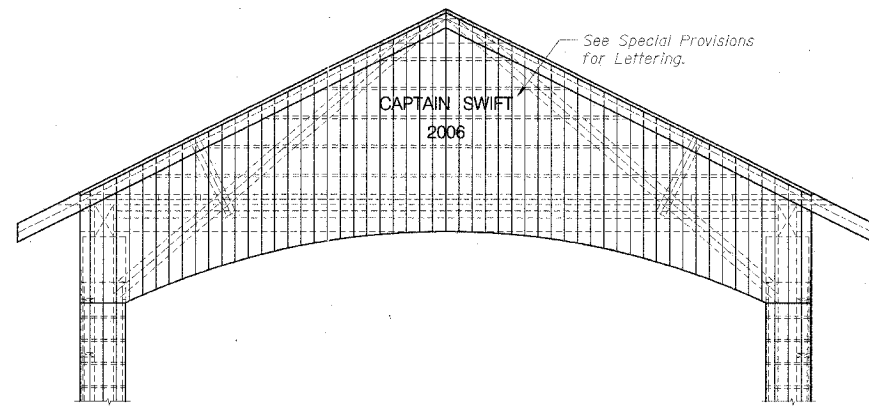
TYPICAL WALL SECTION



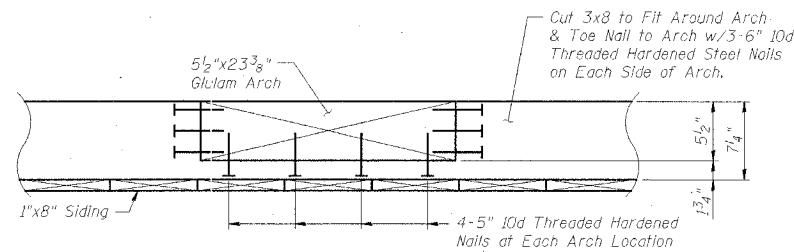
END ELEVATION



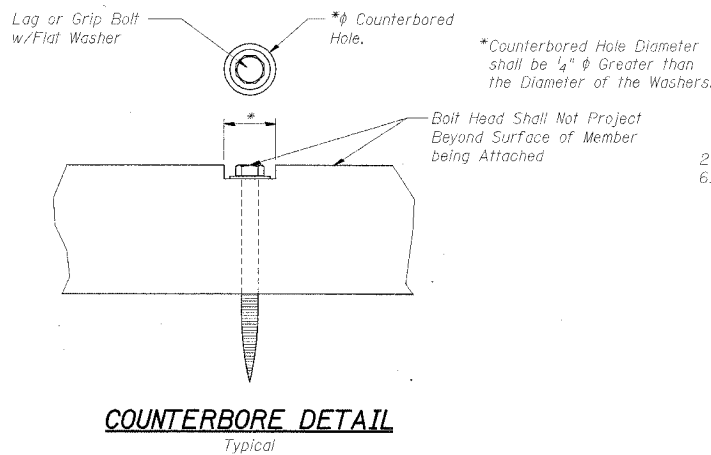
END VIEW



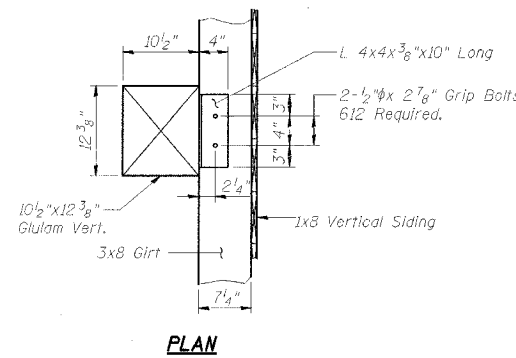
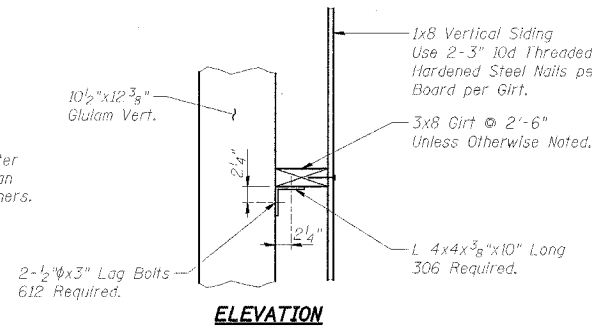
LETTERING DETAIL
(Two Required)



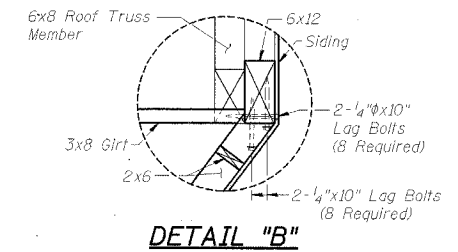
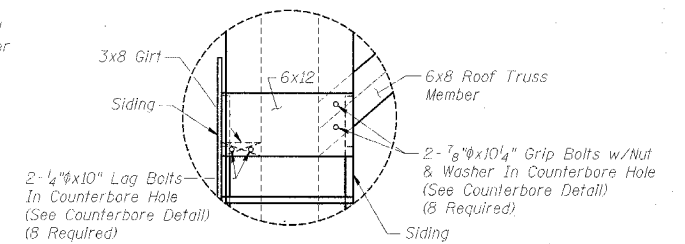
SECTION 1-1



COUNTERBORE DETAIL



TYPICAL GIRT CONNECTION



SIDING DETAILS
SECTION 98-20101-00-BR
T.R. 245 OVER BIG BUREAU CREEK
STA. 13+70 (S.N. 006-4288)
BUREAU COUNTY
WHA # 1104D04