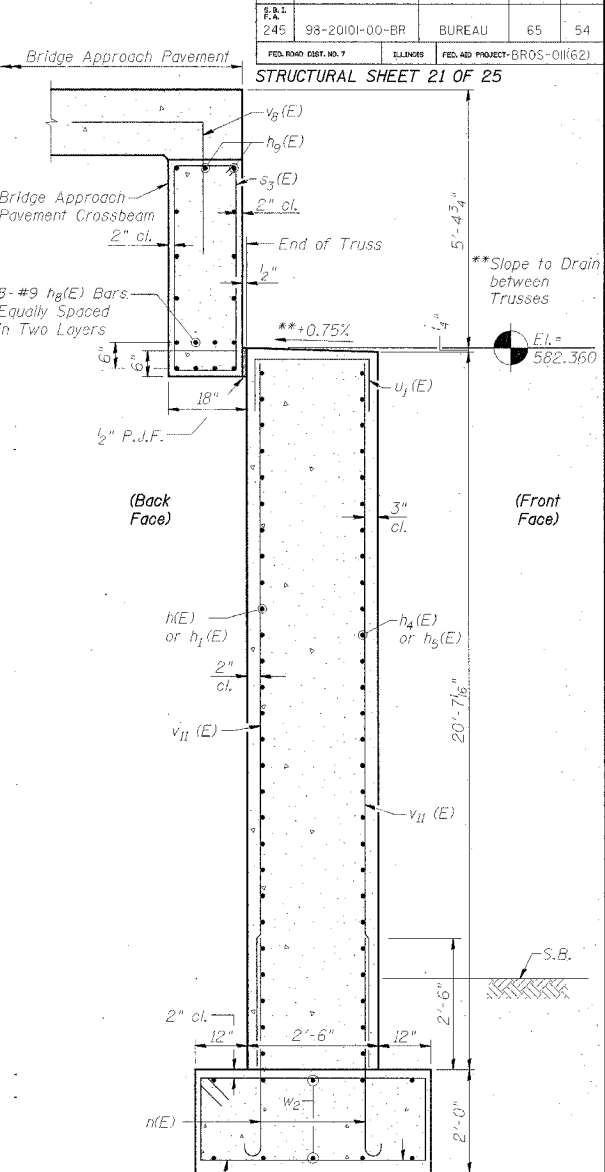
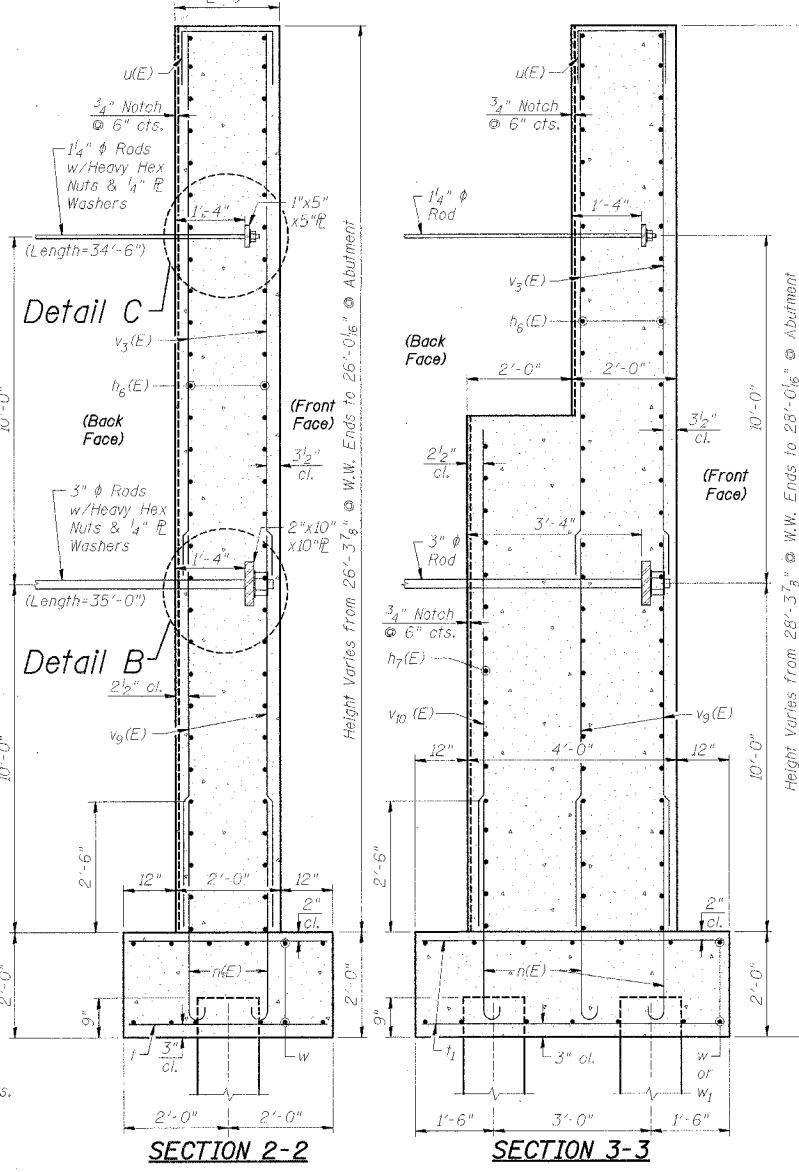
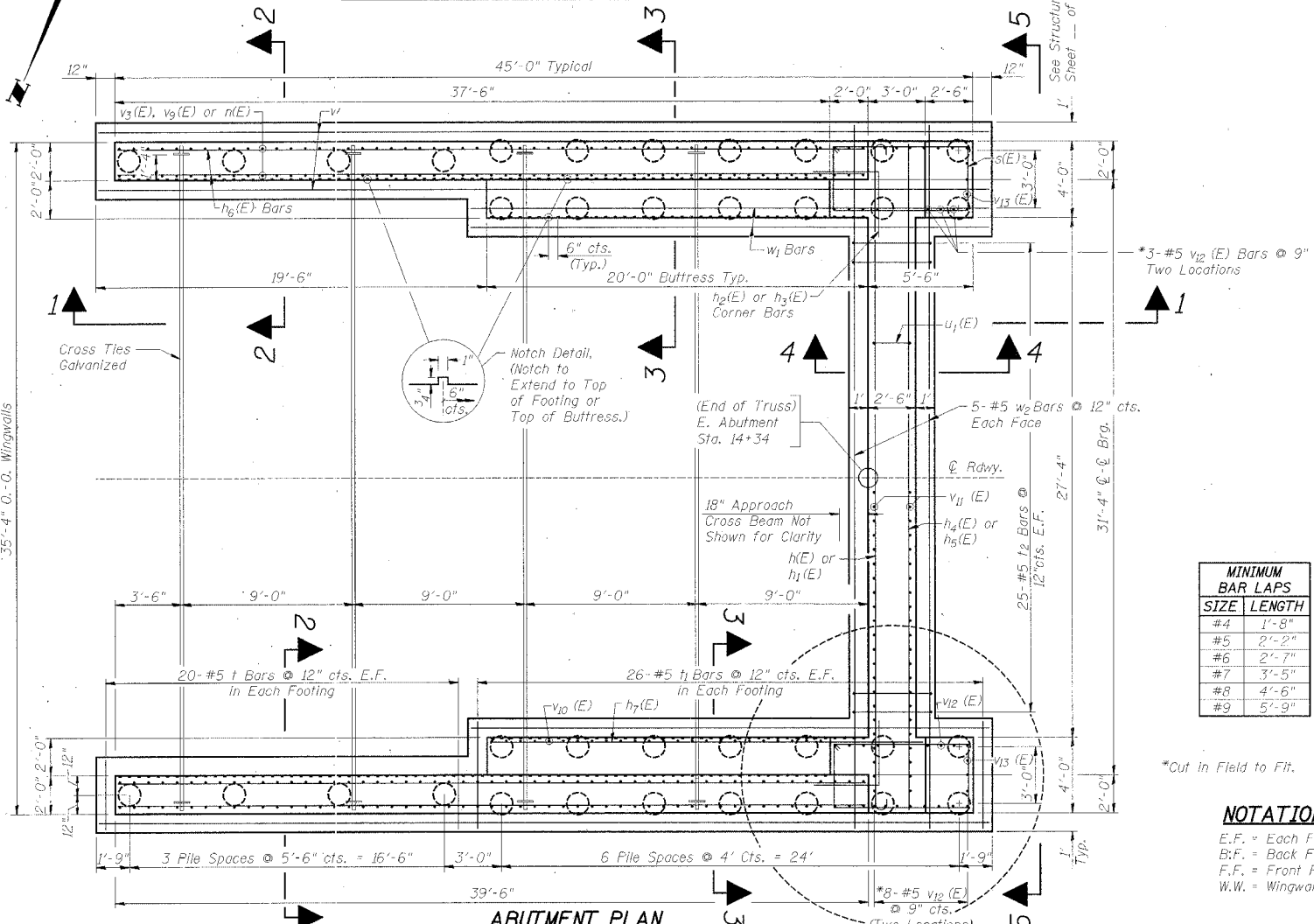
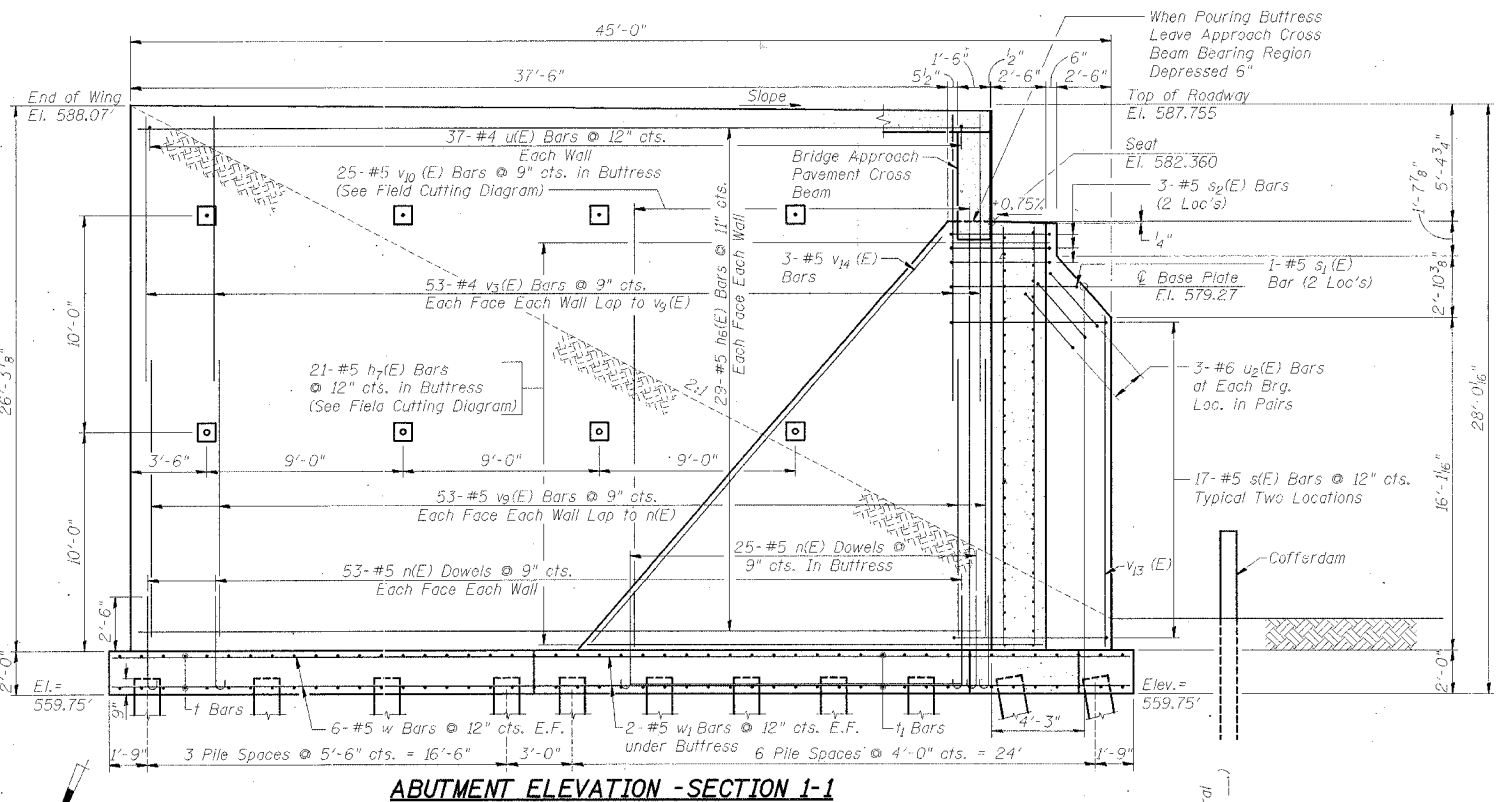


PROJECT	SECTION	COUNTY	SHEETS	SHEET
245	98-20101-00-BR	BUREAU	65	54
FED. ROAD EST. NO. 7		ILLINOIS	FED. AID PROJECT: BR05-01(62)	
STRUCTURAL SHEET 21 OF 25				



PILE DATA

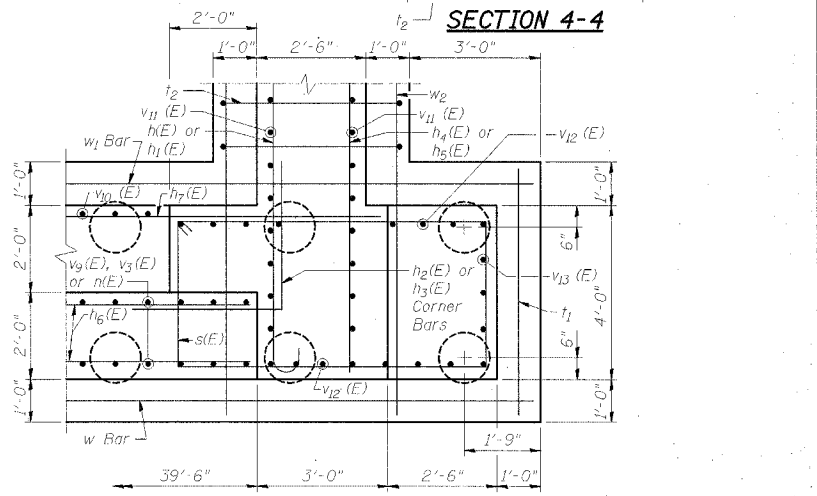
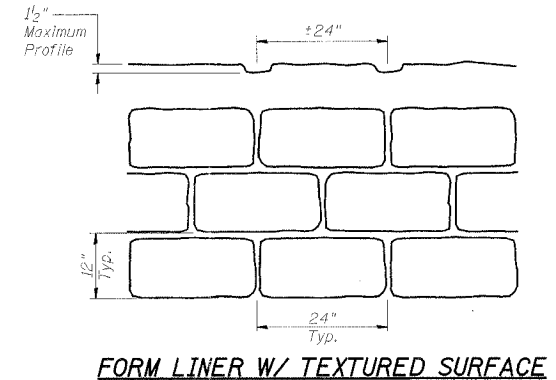
Type : 14" Metal Shell
 Capacity : 65 Ton
 Est. Length : 35'
 No. Required : 35 Plus 1 Test Pile

NOTES:
 See Structural Sheet 22 of 25 for Additional Details.

SIZE	LENGTH
#4	1'-8"
#5	2'-2"
#6	2'-7"
#7	3'-5"
#8	4'-6"
#9	5'-9"

*Cut in Field to Fit.

NOTATIONS
 E.F. = Each Face
 B.F. = Back Face
 F.F. = Front Face
 W.W. = Wingwall



DETAIL A
 EAST ABUTMENT DETAILS
 SECTION 98-20101-00-BR
 STA. 13+70, S.N. 006-4288
 T.R. 245 OVER BIG BUREAU CREEK
 BUREAU COUNTY
 WHA # 1104D04