

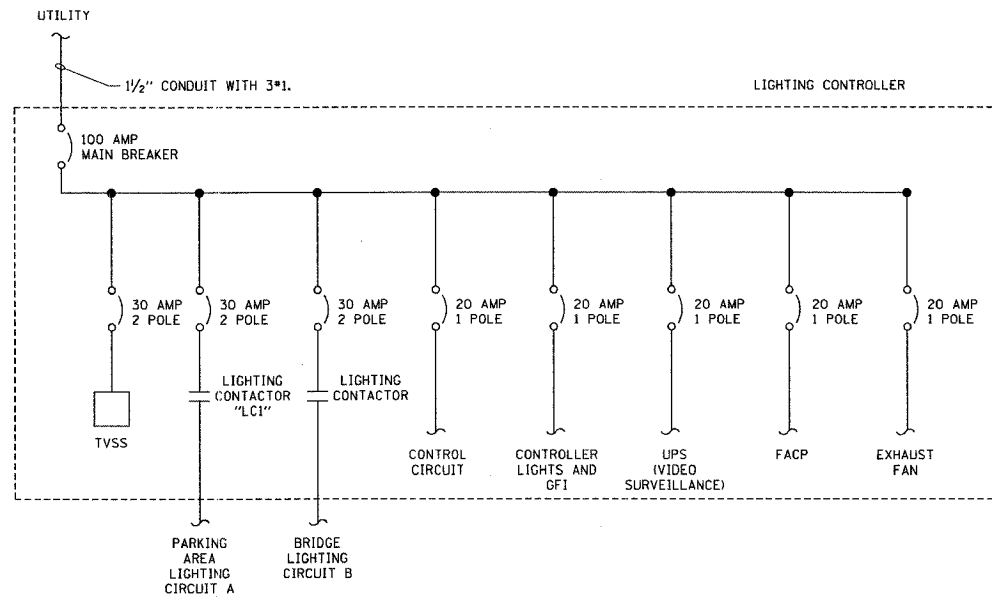
PROJECT NO.	SECTION	COUNTY	SHEET NO.	TOTAL SHEETS
245	98-20101-00-BR	BUREAU	65	60
FED. ROAD DIST. NO. 7	ILLINOIS	FED. AID PROJECT: BROS-011621		

ELECTRICAL SHEET 2 OF 5

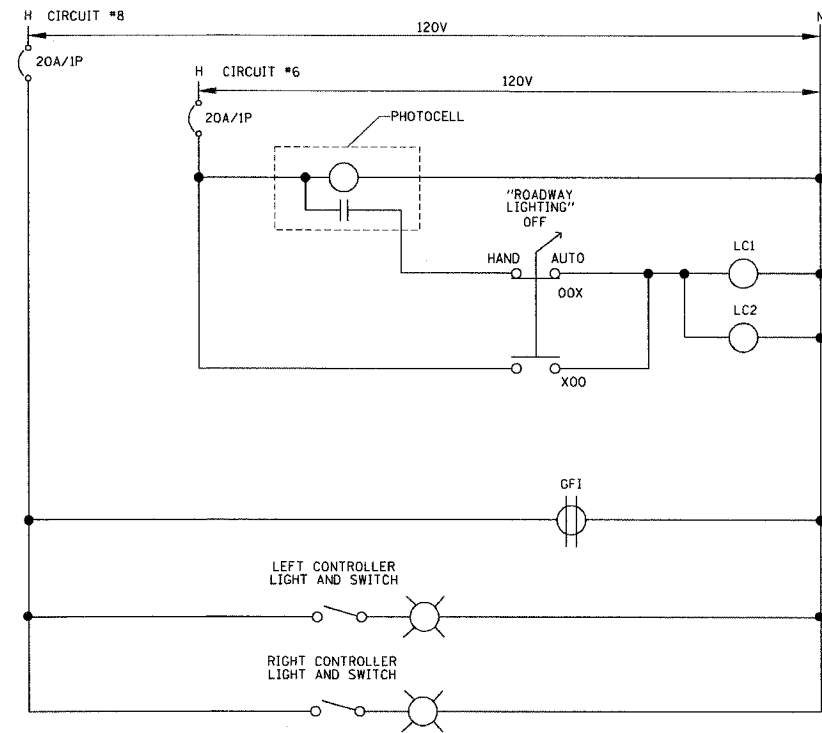
PANELBOARD LIGHTING	MAINS		100 AMPS	
VOLTAGE 120/240	BUS RATING		100 AMPS	
PHASE/WIRE 1PH/3W	MOUNTING		INTERIOR ONLY	

DESCRIPTION	CKT. NO.	LOAD (VA)		AMPS/POLES	CKT. BKR.	CKT. BKR.	AMPS/POLES	LOAD (VA)		CKT. NO.	DESCRIPTION
		A	B					A	B		
TVSS	1	0		30/2	[Symbol]	[Symbol]	30/2	330		2	BRIDGE LIGHTING CIRCUIT B
	3		0					330	4		
PARKING AREA LIGHTING CIRCUIT A	5	450		30/2	[Symbol]	[Symbol]	20/1	500		6	CONTROL CIRCUIT
	7		450					400	8	CONTROLLER LIGHTS & GFI	
SPACE	9	0			[Symbol]	[Symbol]	20/1	1500		10	UPS (VIDEO SURVEILLANCE)
SPACE	11	0			[Symbol]	[Symbol]	20/1	1000		12	FIRE ALARM CONTROL PANEL
SPACE	13	750			[Symbol]	[Symbol]	20/1	500		14	EXHAUST FAN
SPACE	15		750		[Symbol]	[Symbol]		0		16	SPACE
SPACE	17	600			[Symbol]	[Symbol]		0		18	SPACE
SPACE	19		600		[Symbol]	[Symbol]		0		20	SPACE
SUBTOTAL "A"		450						2830			
SUBTOTAL "B"			450						1730		
TOTAL VOLTAMPERES A & B:		5,460 VA									

PANELBOARD SCHEDULE
NO SCALE



ELECTRICAL ONE-LINE DIAGRAM
NO SCALE



NOTE:
GROUND WIRE NOT SHOWN FOR CLARITY. CONTRACTOR SHALL GROUND ALL EQUIPMENT IN THE LIGHTING CONTROL CABINET AS REQUIRED BY THE NATIONAL ELECTRICAL CODE.

LIGHTING CONTROLLER CONTROL DIAGRAM
NO SCALE

ONE LINE DIAGRAM
AND CONTROL SCHEMATIC
SECTION 98-20101-00-BR
T.R. 245 OVER BIG BUREAU CREEK
STA. 13+70 (S.N. 006-4288)
BUREAU COUNTY



WILLETT, HOFMANN & ASSOCIATES, INC.
CONSULTING ENGINEERS
Land Surveying - Transportation - Structures
Environmental - Architecture

Designed By: J.J.F.
Date: August, 05
Checked By: C.E.C.
Date: August, 05
Drawn By: M.E.W.
Date: August, 05

WHA # 1104D04