

SUMMARY OF QUANTITIES

X080-2A

NUMBER	ITEM	UNIT	QUANTITY
20200100	EARTH EXCAVATION	CU YD	162
20300100	CHANNEL EXCAVATION	CU YD	640
20400800	FURNISHED EXCAVATION	CU YD	167
25001000	SEEDING, CLASS 2 (SPECIAL)	ACRE	0.6
25100630	EROSION CONTROL BLANKET	SQ YD	3000
28000250	TEMPORARY EROSION CONTROL SEEDING	POUND	40
28000400	PERIMETER EROSION BARRIER	FOOT	600
28101700	RIPRAP, SPECIAL	TON	271
35101400	AGGREGATE BASE COURSE, TYPE B	TON	587
40600100	BITUMINOUS MATERIALS (PRIME COAT)	GALLON	410
50100100	REMOVAL OF EXISTING STRUCTURES	EACH	1
50300225	CONCRETE STRUCTURES	CU YD	39.4
50400305	PRECAST PRESTRESSED CONCRETE DECK BEAMS (17" DEPTH)	SQ FT	3080
50800105	REINFORCEMENT BARS	POUND	4410
50900205	STEEL RAILING, TYPE S1	FOOT	225
51201400	FURNISHING STEEL PILES HP10x42	FOOT	832
51202700	DRIVING STEEL PILES	FOOT	832
51203400	TEST PILE STEEL HP10x42	EACH	2
51204315	CONCRETE ENCASEMENT	CU YD	28.4
51500100	NAME PLATES	EACH	1
58100200	WATERPROOFING MEMBRANE SYSTEM	SQ YD	343
58300100	PORTLAND CEMENT MORTAR FAIRING COURSE	FOOT	330
63100075	TRAFFIC BARRIER TERMINAL, TYPE 5A	EACH	2
67100100	MOBILIZATION	L SUM	1
70101830	TRAFFIC CONTROL AND PROTECTION, STANDARD BLR 21	L SUM	1
78201000	TERMINAL MARKER - DIRECT APPLIED	EACH	4
LR631020	TRAFFIC BARRIER TERMINAL, TYPE 1	EACH	2
X4066414	BITUMINOUS CONCRETE SURFACE COURSE, SUPERPAVE, MIX "C", N50	TON	158
X4066614	BITUMINOUS CONCRETE BINDER COURSE, SUPERPAVE, IL-19.0, N50	TON	98
X5020501	UNDERWATER STRUCTURE EXCAVATION PROTECTION - LOCATION 1	EACH	1
X5020502	UNDERWATER STRUCTURE EXCAVATION PROTECTION - LOCATION 2	EACH	1

*SEE SPECIAL PROVISIONS

GENERAL NOTES

WHERE SECTION OR SUBSECTION MONUMENTS ARE ENCOUNTERED, THE ENGINEER SHALL BE NOTIFIED BEFORE SUCH MONUMENTS ARE REMOVED. THE CONTRACTOR SHALL PROTECT AND CAREFULLY PRESERVE ALL PROPERTY MARKS AND MONUMENTS UNTIL THE OWNER, AND AUTHORIZED SURVEYOR OR AGENT HAS WITNESSED OR OTHERWISE REFERENCED THEIR LOCATION.

THE AREA TO BE SEEDDED SHALL CONSIST OF ALL DISTURBED EARTH SURFACES WITHIN THE RIGHT OF WAY, AS DIRECTED BY THE ENGINEER.

SEEDING, CLASS 2 (SPECIAL) = 0.6 ACRE

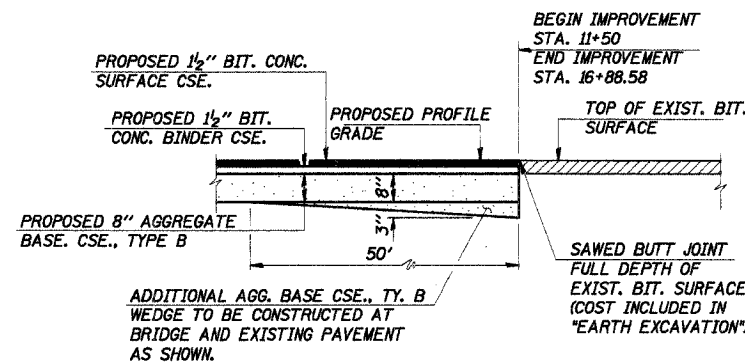
TEMPORARY EROSION CONTROL

THE FOLLOWING QUANTITIES ARE ESTIMATES ONLY. ACTUAL QUANTITIES FOR EROSION CONTROL WILL BE DETERMINED BY THE ENGINEER IN THE FIELD AND THERE WILL BE NO ADJUSTMENT IN ANY UNIT PRICE DUE TO A CHANGE IN PLAN QUANTITY.

PERIMETER EROSION BARRIER = 600 FOOT
 TEMPORARY EROSION CONTROL SEEDINGS = 40 POUND
 EROSION CONTROL BLANKET = 3000 SQ YD

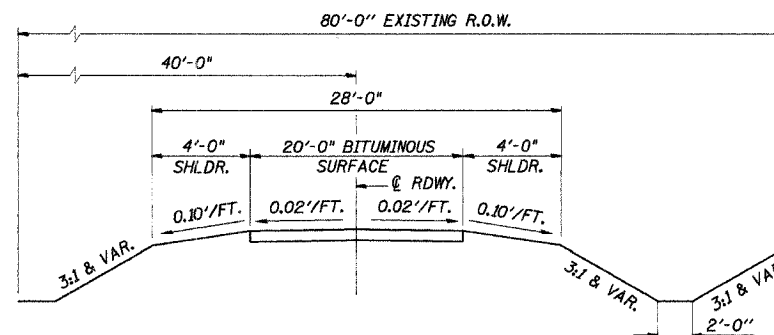
BITUMINOUS MIXTURE REQUIREMENTS

MIXTURE USE(S)	SURFACE COURSE/ INCIDENTAL BITUMINOUS SURFACING	BINDER COURSE
AC/PG:	58-22	58-22
RAP %: (MAX)	15%	15%
DESIGN AIR VOIDS:	3.0% @ $N_{des} = 50$	3.0% @ $N_{des} = 50$
MIXTURE COMPOSITION: (GRADATION MIXTURE)	IL 9.5	IL 19.0
FRICTION AGGREGATE:	MIXTURE C	N/A



ELEVATION AT BEGINNING AND END OF IMPROVEMENT

JOINT DETAILS

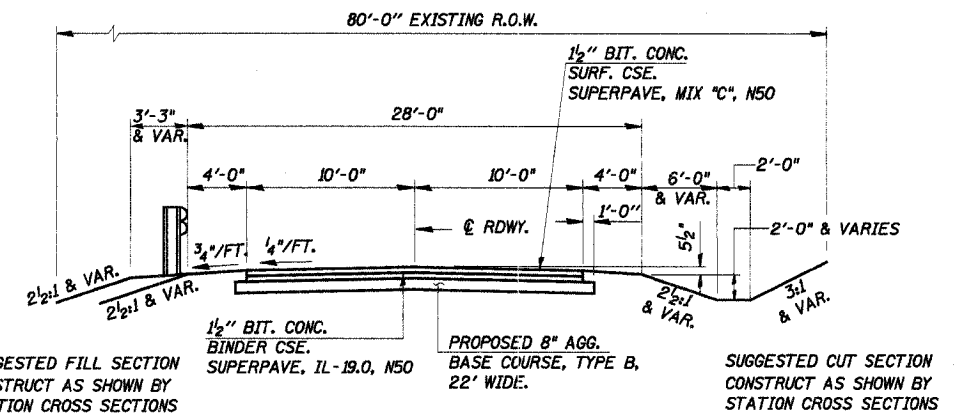


EXISTING TYPICAL CROSS SECTION

EARTHWORK SCHEDULE

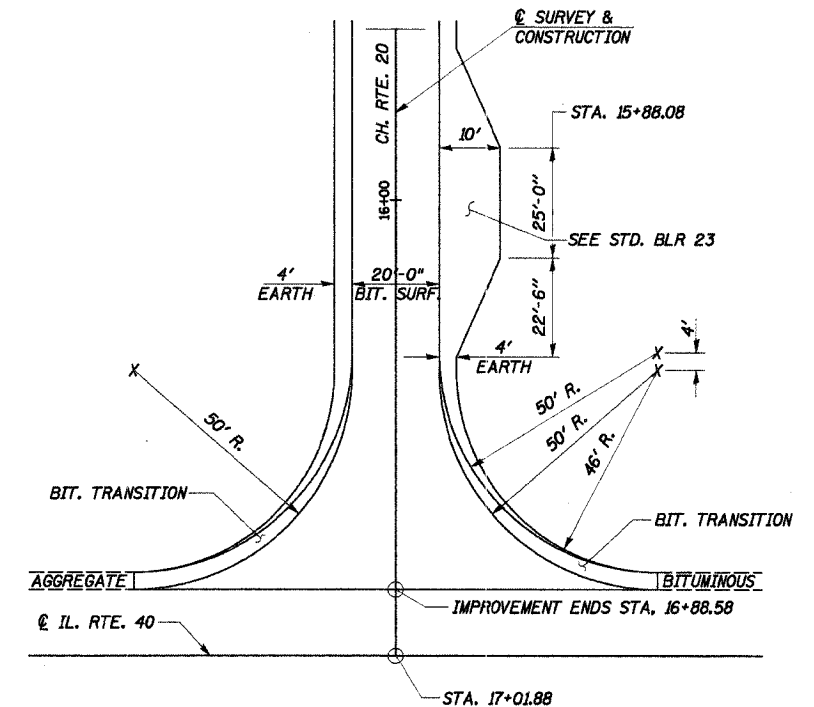
LOCATION	EARTH EXCAVATION	EARTH EXCAVATION ADJUSTED FOR SHRINKAGE (25%)	ESTIMATED SUITABLE CHANNEL EXCAVATION	SUITABLE CHANNEL EXCAVATION ADJUSTED FOR SHRINKAGE (25%)	EMBANKMENT (FOR INFORMATION ONLY)	EARTHWORK BALANCE WASTE (+) SHORTAGE (-)**
	CU YD	CU YD	CU YD	CU YD	CU YD	CU YD
STA. 11+50 TO STA. 16+88.58	162	121	320	240	528	-167
TOTALS	162	121	320	240	528	-167

**FURNISHED EXCAVATION



TYPICAL PROPOSED CROSS SECTION

STA. 12+00 TO STA. 16+34.58
 TRANSITION FROM EXISTING ROADWAY TO PROPOSED ROADWAY TO BE CONSTRUCTED FROM STA. 11+50 TO STA. 12+00.



INTERSECTION AT IL RTE. 40

SUMMARY OF QUANTITIES, GENERAL NOTES AND TYPICAL CROSS SECTION

C.H. 20
 SECTION 04-00153-00-BR
 STARK COUNTY
 STA. 15+00

4440 ASH GROVE
 SPRINGFIELD, IL 62711
 (217) 793-8600
 oasinc@tamvid.com

OZYURT AND STONE, INC.
 CONSULTING ENGINEERS

JOB NO.: 0414
 FILE: SUMTYP.DGN
 DATE: 08/12/05

ROUTE NO.	SECTION	COUNTY	TOTAL SHEETS	SHEET NO.
C.H. 20	04-00153-00-BR	STARK	13	2

ILLINOIS
 CONTRACT NO. 89364