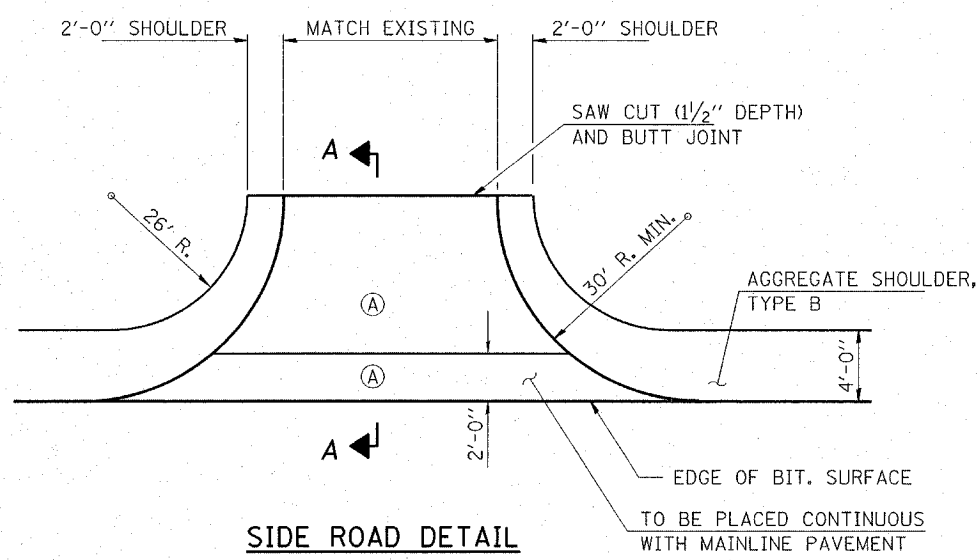
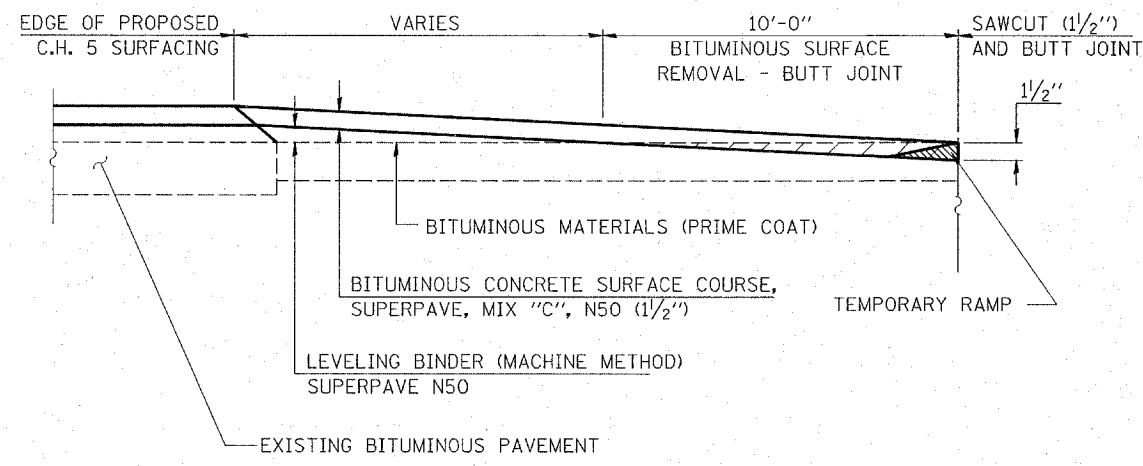


ROUTE NO.	SECTION	COUNTY	TOTAL SHEETS	SH
C.H. 5	85-00043-00-RS	DEWITT	79	2
FED. ROAD DIST. NO.	ILLINOIS	FED. AID PROJECT-		

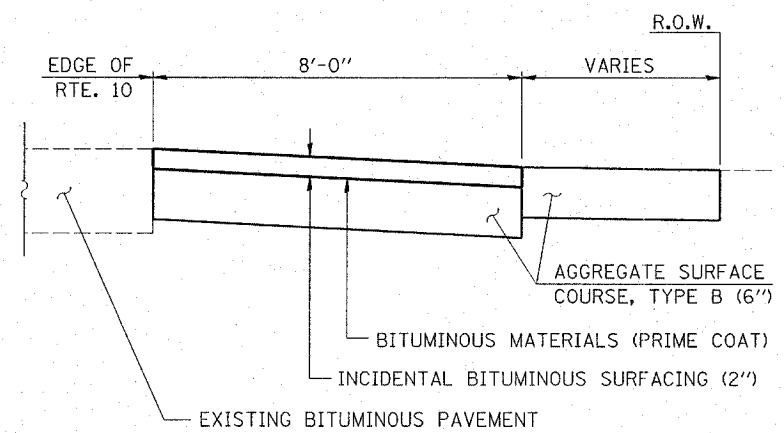
CONTRACT No. 91316



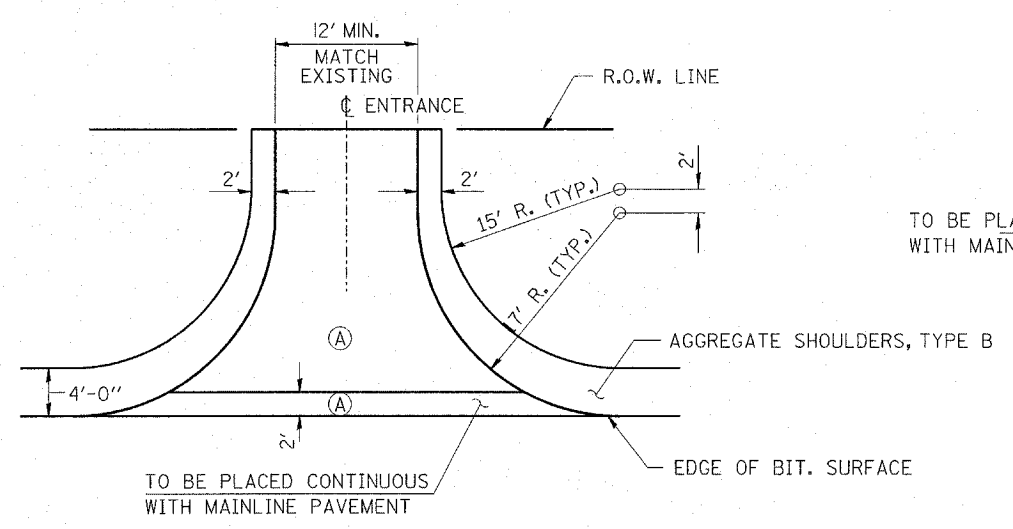
**SIDE ROAD DETAIL**



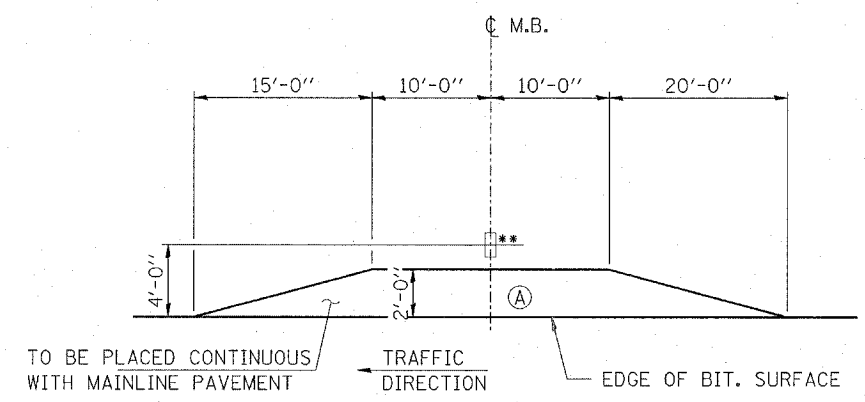
**SECTION A-A**



**SECTION B-B**

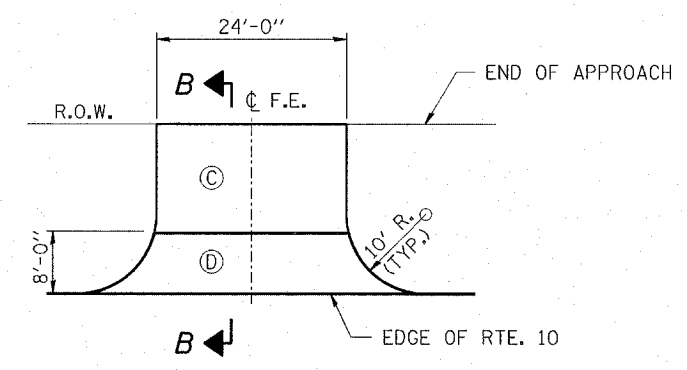


**COMMERCIAL OR PRIVATE ENTRANCE DETAIL**



**MAILBOX TURNOUT**

7 LOCATIONS  
 \*\* MAILBOX POST SHALL BE PLACED 2 FEET FROM THE EDGE OF TURNOUT SURFACE

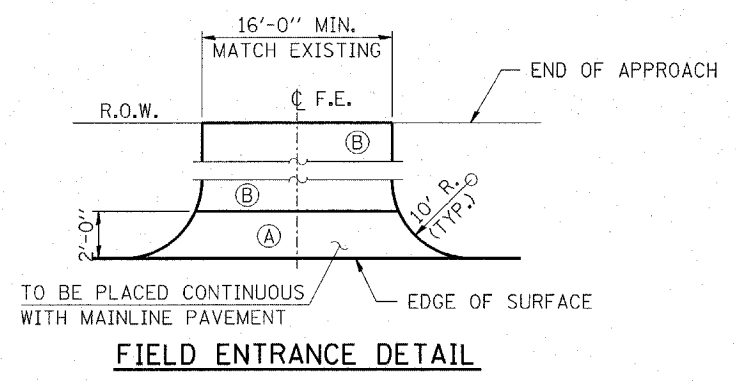


**RTE. 10 FIELD ENTRANCE DETAIL**

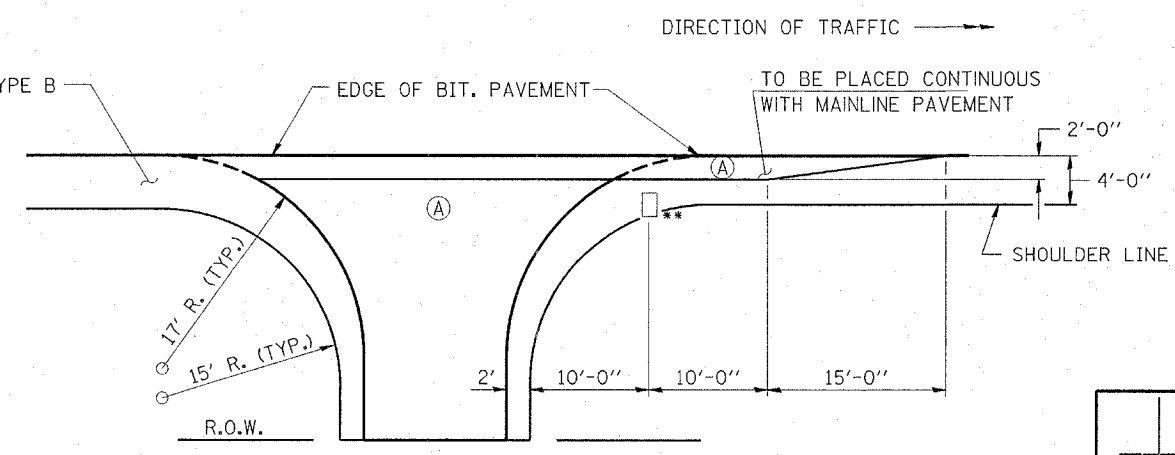
NOTE: BITUMINOUS SURFACING ON SIDE ROAD AND SIDE STREET RETURNS SHALL BE BUTT JOINTED AS DIRECTED BY THE ENGINEER. QUANTITIES INCLUDED IN THOSE LISTED.

**LEGEND**

- (A) INCIDENTAL BITUMINOUS SURFACING (3" AND VARIES) BITUMINOUS MATERIALS (PRIME COAT)
- (B) AGGREGATE SURFACE COURSE, TYPE B. VARY THICKNESS FROM 3" AT BITUMINOUS PAD TO 1" AT END OF CONSTRUCTION.
- (C) AGGREGATE SURFACE COURSE, TYPE B
- (D) INCIDENTAL BITUMINOUS SURFACING (2")



**FIELD ENTRANCE DETAIL**



**ENTRANCE WITH MAILBOX TURNOUT**

2 LOCATIONS

**HLR**  
 Rice, Berry and Associates  
 A Division of Hampton, Lenzini and Renwick, Inc.  
 Civil & Structural Engineers  
 801 S. Durkin Drive  
 Springfield, Illinois 62704  
 217-546-3400  
 P.O. Box 1036  
 DuQuoin, Illinois 62832  
 618-790-4637  
 Account Number 03-29-0007-1  
 Date: 6-10-04  
 DESIGNED: L.F.S. CHECKED: DRAWN: P.K.

**ROADWAY DETAILS**  
**SECTION 85-00043-00-RS**  
**C.H. 5**  
**DEWITT COUNTY**

REV. Date: 01-11-06