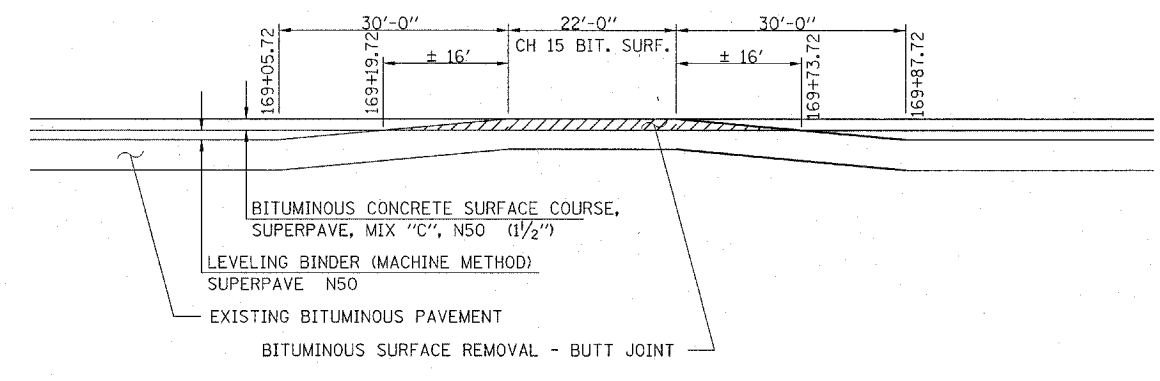
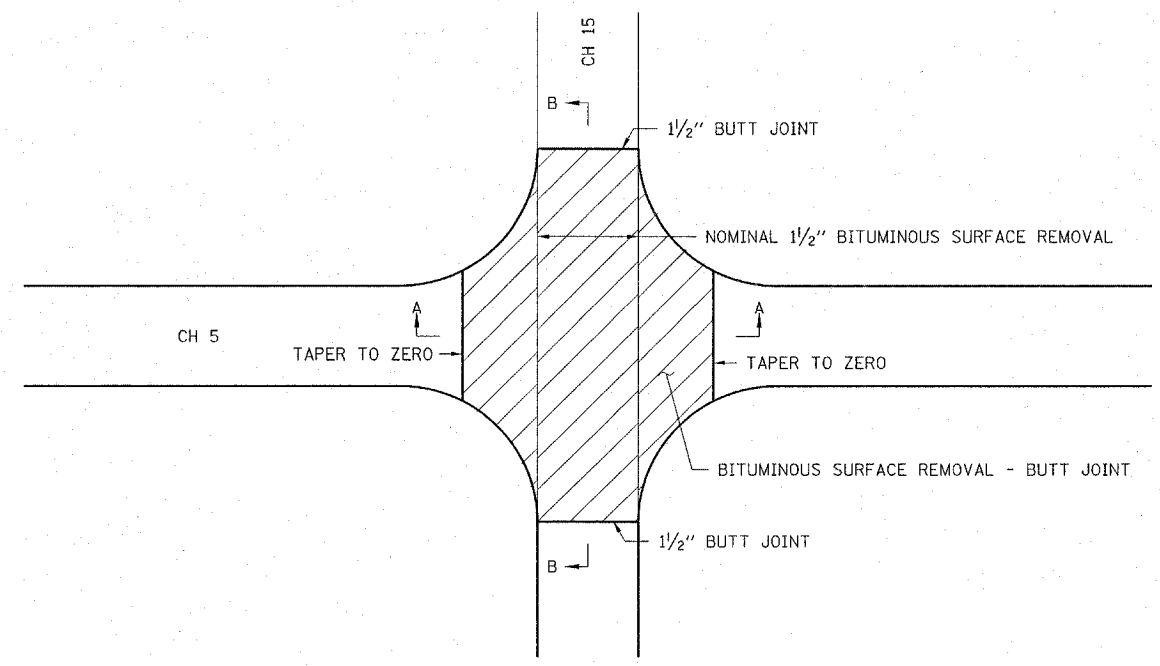
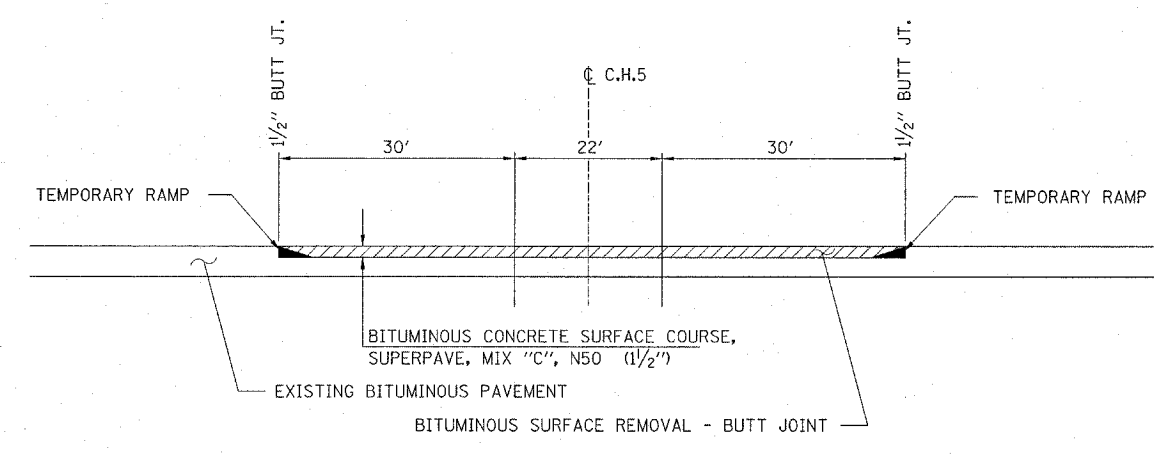


ROUTE NO.	SECTION	COUNTY	TOTAL SHEETS	SHEET NO.
C.H. 5	85-00043-00-RS	DEWITT	79	27
FED. ROAD DIST. NO.		ILLINOIS	FED. AID PROJECT-	

CONTRACT No. 91316



SECTION A-A



SECTION B-B

HLR

Rice, Berry and Associates
A Division of Hampton,
Lenzini and Renwick, Inc.
Civil & Structural Engineers
801 S. Durkin Drive
Springfield, Illinois 62704
217-546-3400

Account Number
03-29-0007-1
Date: 12-29-05

P.O. Box 1036
DuQuoin, Illinois 62832
618-790-4637

DESIGNED: L.F.S. | CHECKED: | DRAWN: TWK

ROADWAY DETAILS
SECTION 85-00043-00-RS
C.H. 5
DEWITT COUNTY