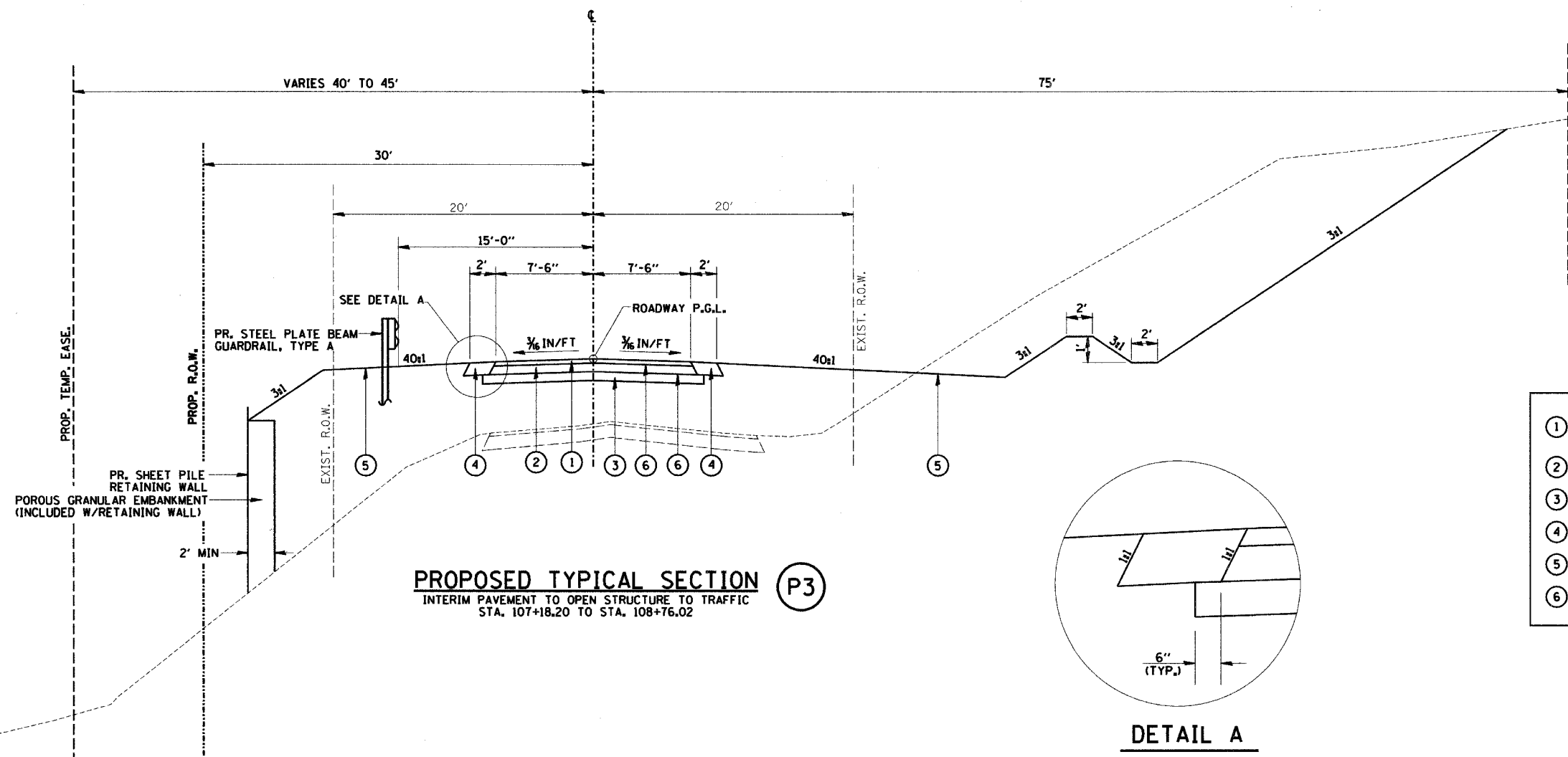


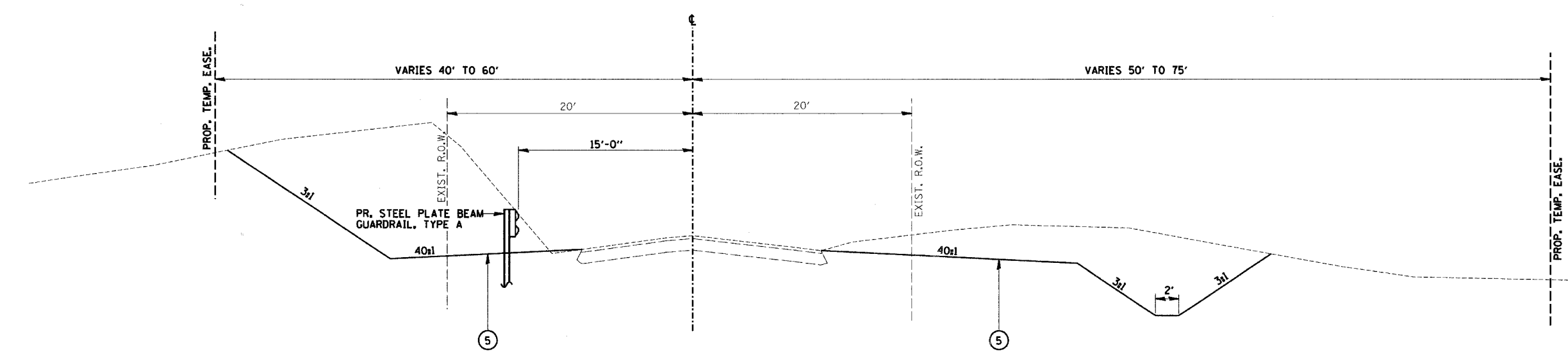
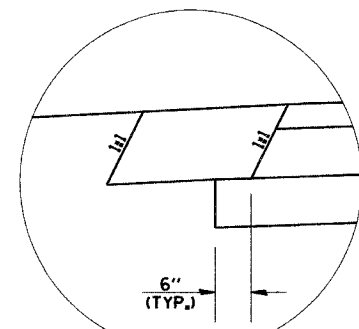
F.A.I. RTE.	SECTION	COUNTY	TOTAL SHEETS	SHEET NO.
6998	99-00209-02-PV	VERMILION	72	4
STA.	TO STA.		FED. AID PROJECT-	
FED. ROAD DIST. NO., ILLINOIS			CONTRACT NO.: 91356	

PLAIN	DATE
SURVEYED	
ALIGNED	
CHECKED	
BY	
NO.	



**PROPOSED LEGEND:**

- ① BITUMINOUS CONCRETE SURFACE COURSE, SUPERPAVE, MIX "C", N50, 2"
- ② BITUMINOUS CONCRETE BINDER COURSE, SUPERPAVE, IL-19.0, N50, 4"
- ③ AGGREGATE BASE COURSE, TYPE B, 4"
- ④ AGGREGATE SHOULDER, TYPE B, 6"
- ⑤ SEEDING CLASS 7 WITH MULCH METHOD 1
- ⑥ PRIME COAT



REVISIONS	
NAME	DATE

CITY OF DANVILLE, ILLINOIS  
 WINTER AVENUE RECONSTRUCTION  
 PROPOSED TYPICAL SECTIONS  
 P3-P4  
 WINTER AVENUE

SCALE: NTS  
 DRAWN BY: SRS

DATE: 12/30/05  
 CHECKED BY: MBF

(P1) TO (P4) = LABELS FOR PLANS SHEET TO REFERENCE EXISTING TYPICALS