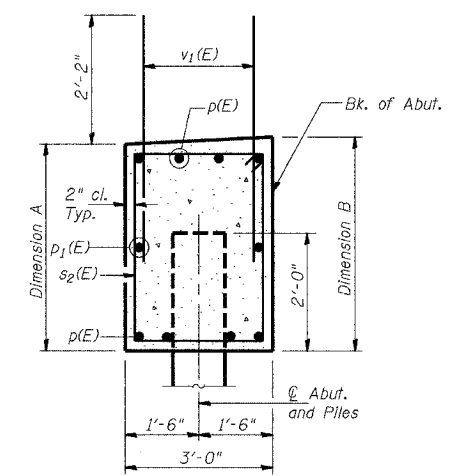
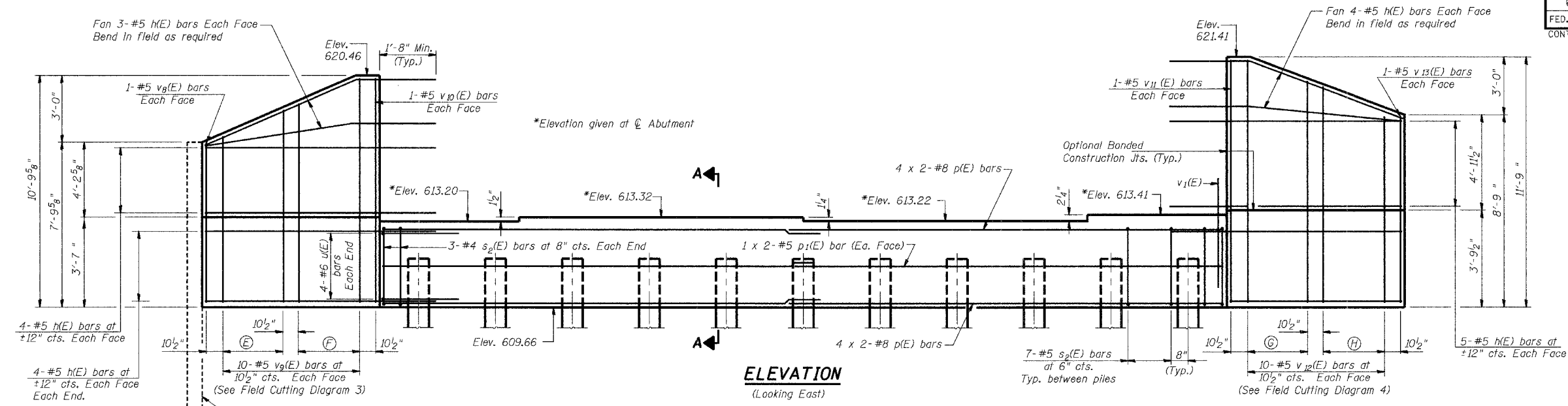
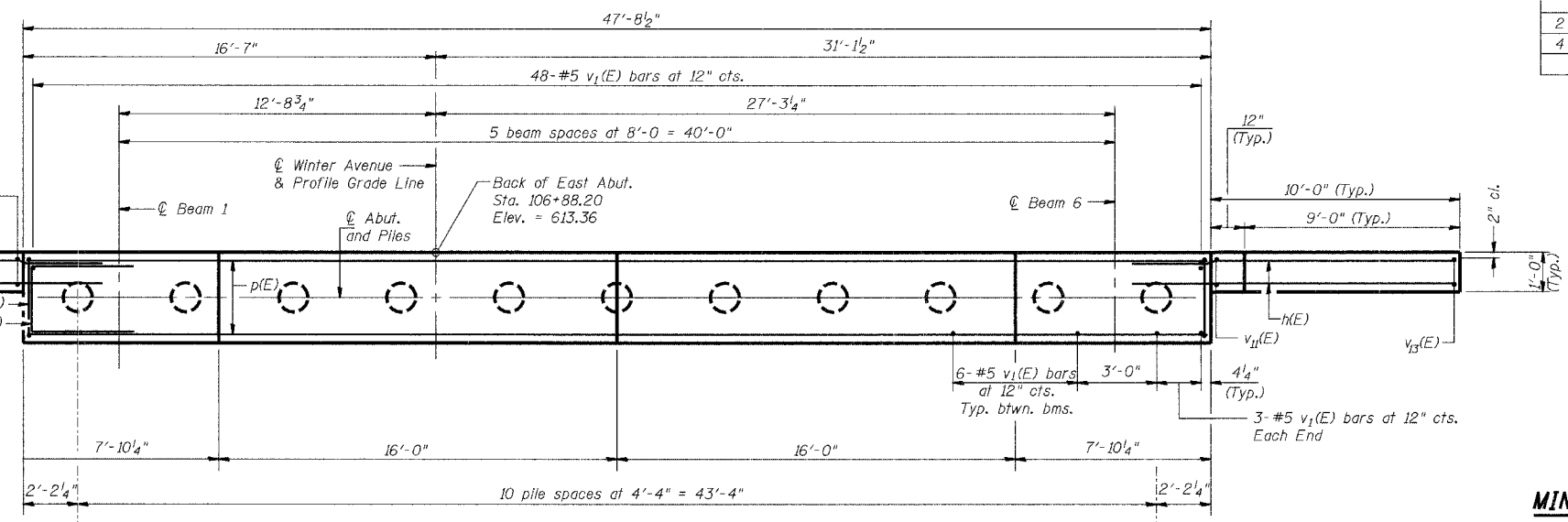


ROUTE NO. FAU 6998	SECTION 99-00209-02-PV	COUNTY VERMILION	TOTAL SHEETS 72	SHEET NO. 45
FED. ROAD DIST. NO.		ILLINOIS PROJECT	CONTRACT NO. 91356	



Type:	14" ϕ Metal Shell
Capacity:	62 Ton
Est. Length:	53 foot
No. Required:	10
plus 1 Permanent Test Pile	

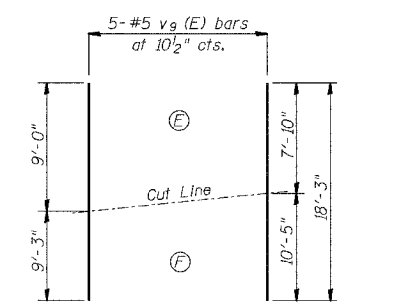
PILE DATA
 Type: 14" ϕ Metal Shell
 Capacity: 62 Ton
 Est. Length: 53 foot
 No. Required: 10
 plus 1 Permanent Test Pile



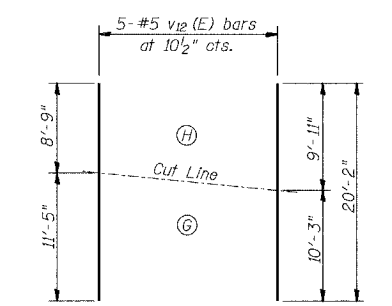
**EAST ABUTMENT
BILL OF MATERIAL**

Bar	No.	Size	Length (m)	Shape
h(E)	48	#5	12'-1"	—
p(E)	16	#8	26'-11"	—
D1(E)	4	#5	24'-10"	—
s2(E)	76	#5	12'-7"	□
u(E)	8	#6	8'-6"	□
v1(E)	84	#5	4'-4"	—
v8(E)	2	#5	7'-4"	—
v9(E)	10	#5	18'-3"	—
v10(E)	2	#5	10'-4"	—
v11(E)	2	#5	11'-3"	—
v12(E)	10	#5	20'-2"	—
v13(E)	2	#5	8'-4"	—
Concrete Structures		Cu. Yd.	26.6	
Reinforcement Bars Epoxy Coated		Pound	3820	
Structure Excavation		Cu. Yd.	179	
Metal Pile Shells 14"		Foot	530	
Test Pile Metal Shells		Each	1	

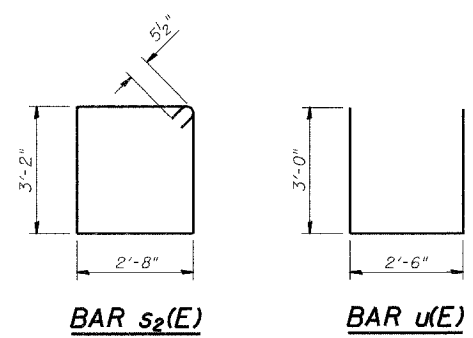
MIN. BAR LAP
 #5 = 2'-2"
 #8 = 6'-4"



FIELD CUTTING DIAGRAM 3
 Order v9(E) full length. Cut and place as shown.



FIELD CUTTING DIAGRAM 4
 Order v12(E) full length. Cut and place as shown.



Notes:
 Pour steps monolithically with cap.
 Reinforcement bars designated (E) shall be epoxy coated.
 Bars indicated thus 4 x 2-#8 etc. indicates 4 lines of bars with 2 lengths per line.

EAST ABUTMENT			Sheet No.
Date	Designed ACW	WINTER AVENUE OVER STONEY CREEK SECTION 99-00209-02-PV CITY OF DANVILLE, IL VERMILION COUNTY STA. 106+34.70 PROP. STR. NO. 092-6033	14
Revisions	Drawn BKN		
	Checked KWB		
	Approved KWB		
Prepared by:	URS 3040 North University Avenue Decatur, IL 62526		of 21 URS Job No. 36430866