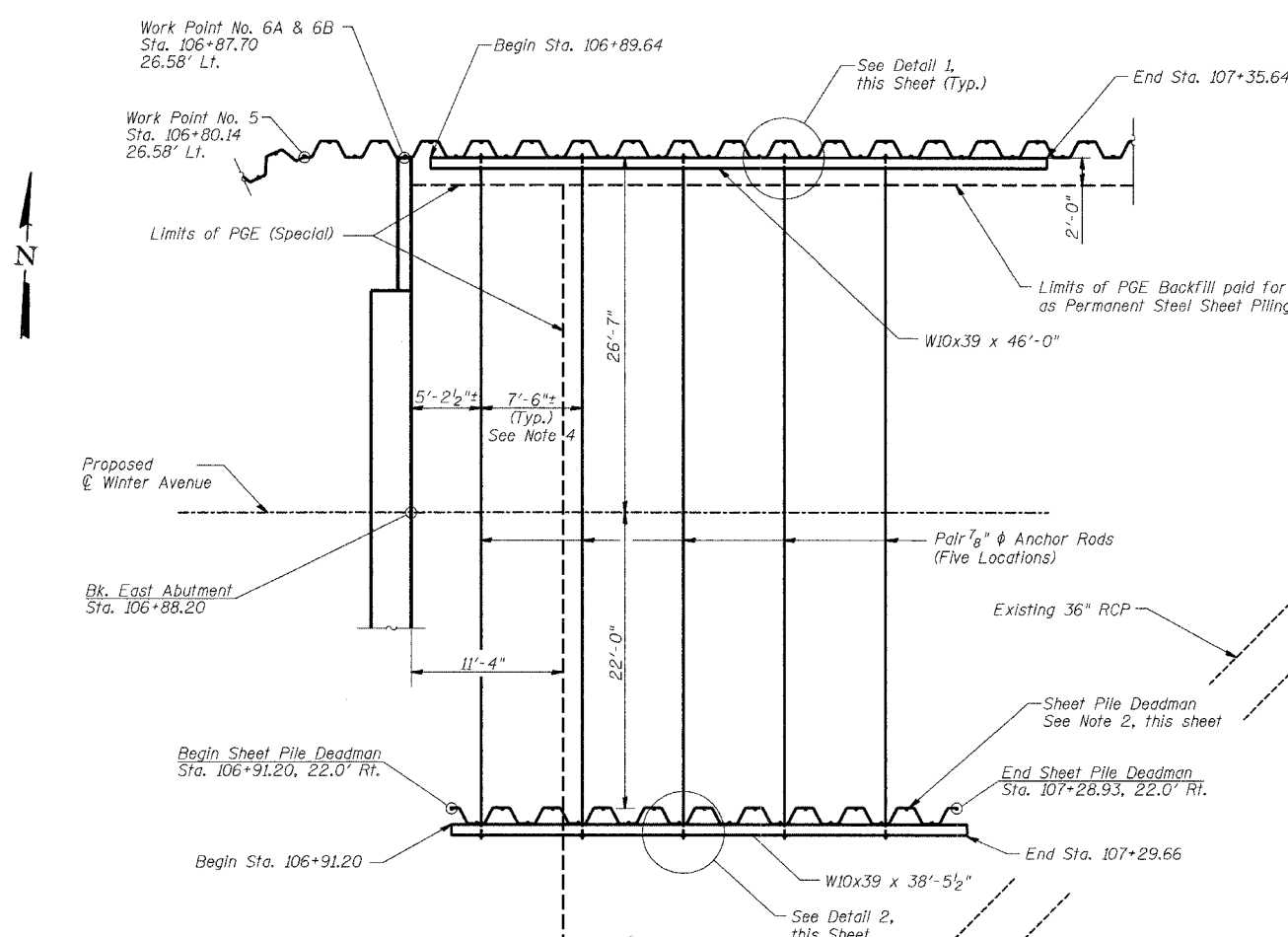


ROUTE NO.	SECTION	COUNTY	TOTAL SHEETS	SHEET NO.
FAU 6998	99-00209-02-PV	VERMILION	72	51
FED. ROAD DIST. NO.		ILLINOIS PROJECT		
CONTRACT NO. 91356				

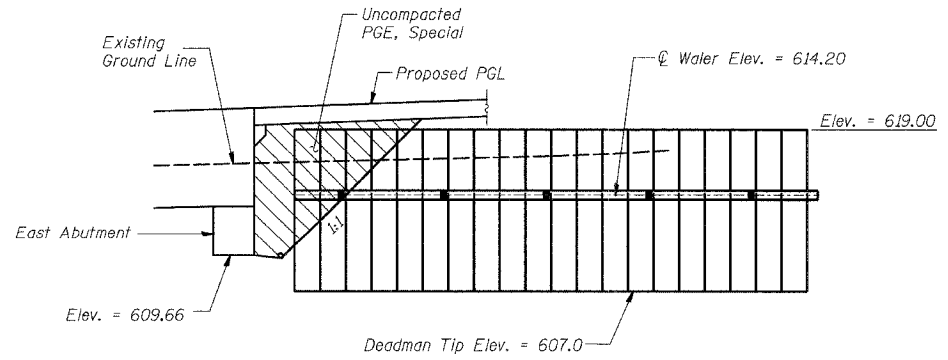


DEADMAN PLAN

DEADMAN BILL OF MATERIAL

PILE TYPE	QTY (SQ. FT.)
PZ35	454
TOTAL	454

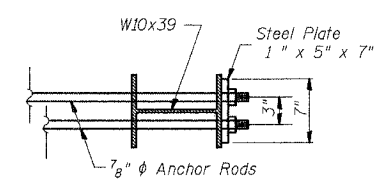
The above estimate is for the Steel Sheet Pile Deadman and shall be paid for at the contract unit price per square foot of PERMANENT STEEL SHEET PILING. See Special Provisions.



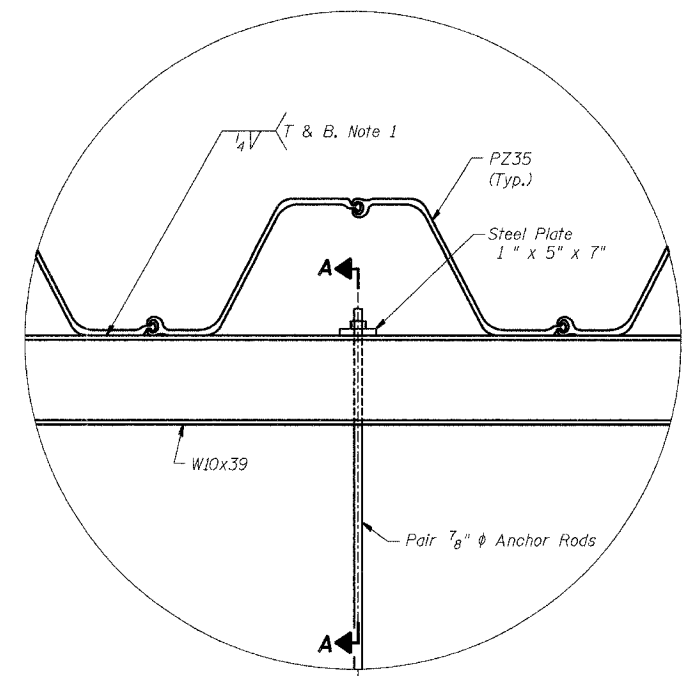
DEADMAN ELEVATION

NOTES:

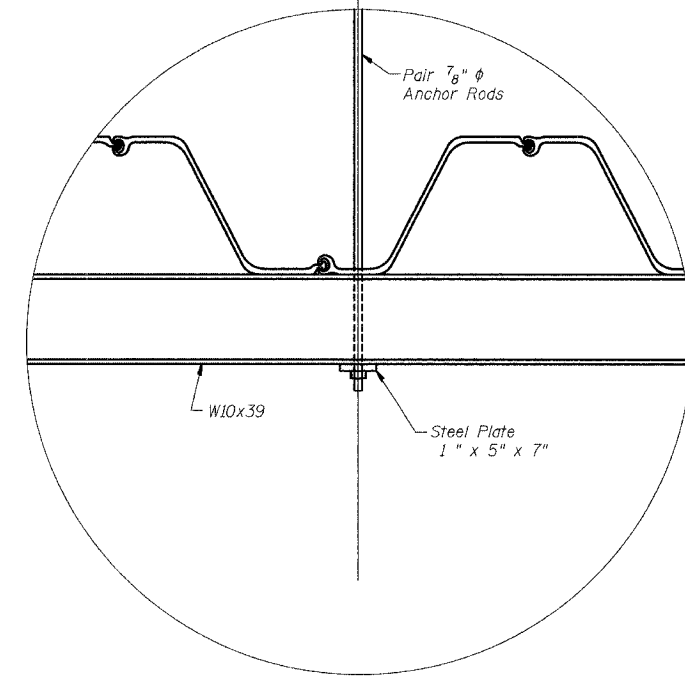
- All Sheet Piles shall be PZ35 and shall have minimum section modulus of 48.5 in.³/ foot of wall and conform to ASTM A 572, Grade 50.
- Deadman Sheet Piling shall be 12'-0" Long and shall have a tip elevation of 607.00.
- Tieback Details are Typical for Sheet Pile Retaining Wall and Sheet Pile Deadman.
- In lieu of field welding the water to the sheet piling, Contractor may use 2 - 3/4" ϕ A325 H.S. Bolts at 4" centers per sheet pile. Use holes in W10x42 as a template to field drill 3/8" ϕ holes in the sheeting. The cost of which shall not be measured separately but shall be included in the cost of Furnishing & Erecting Structural Steel.
- Structural steel shapes, plates, anchor rods shall be paid for as Furnishing & Erecting Structural Steel in accordance with the Special Provision Permanent Steel Sheet Piling.
- Work this Sheet with Sheet 19 of 21.



SECTION A-A



DETAIL 1



DETAIL 2

PERMANENT STEEL SHEET PILING DETAILS			
Date	Designed ACW	WINTER AVENUE OVER STONEY CREEK SECTION 99-00209-02-PV CITY OF DANVILLE, IL VERMILION COUNTY STA. 106+34.70 PROP. STR. NO. 092-6033	Sheet No.
Revisions	Drawn BKN		20
	Checked KWB		of 21
	Approved KWB		URS Job No.
Prepared by:	URS 3040 North University Avenue Decatur, IL 62526		36430866