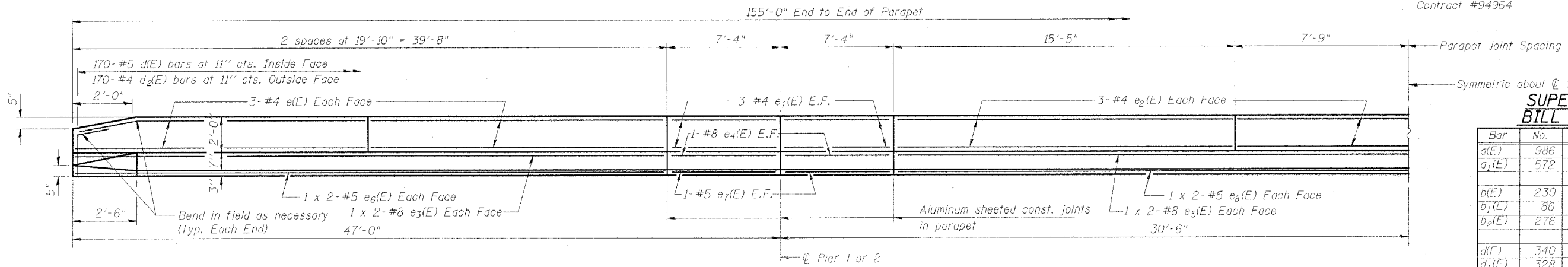


STATE OF ILLINOIS
DEPARTMENT OF TRANSPORTATION

ROUTE NO.	SECTION	COUNTY	TOTAL SHEETS	SHEET NO.
FAP Rte. 327	13B-2	Marion	18	24
FED. ROAD DIST. NO. 7	ILLINOIS	FED. AID PROJECT		

Contract #94964

SHEET NO. 7
17 SHEETS

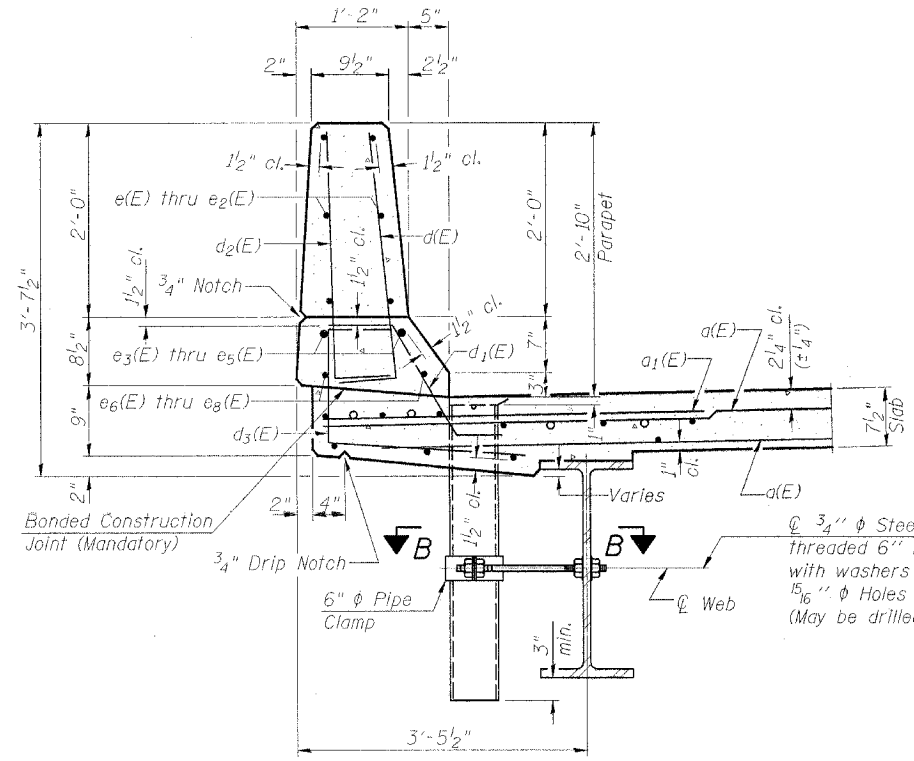


INSIDE ELEVATION OF PARAPET

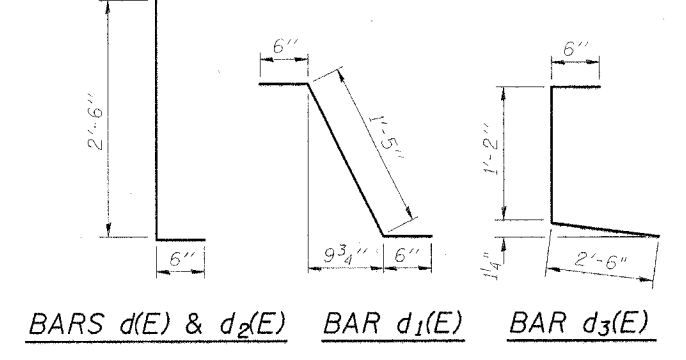
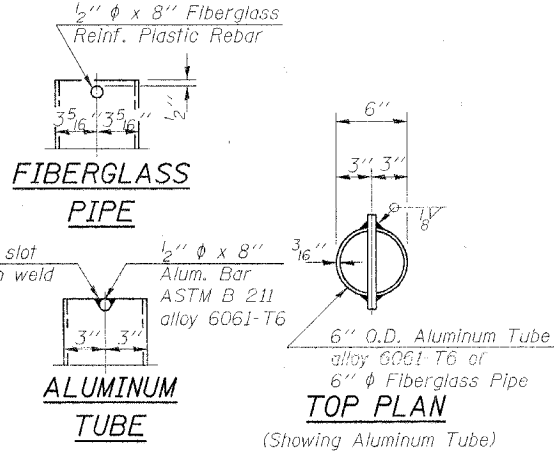
MIN BAR LAP
#5 = 2'-2"
#8 = 4'-6"

SUPERSTRUCTURE
BILL OF MATERIAL

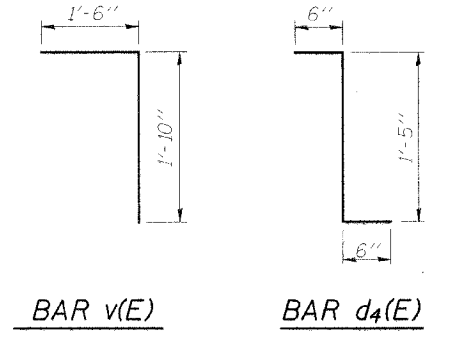
Bar	No.	Size	Length	Shape
a(E)	986	#5	20'-8"	—
a1(E)	572	#6	6'-0"	—
b(E)	230	#5	32'-3"	—
b1(E)	86	#6	32'-1"	—
b2(E)	276	#5	27'-2"	—
d(E)	340	#5	3'-0"	—
d1(E)	328	#5	2'-5"	—
d2(E)	340	#4	3'-0"	—
d3(E)	340	#4	4'-2"	—
d4(E)	12	#5	2'-5"	—
e(E)	48	#4	19'-6"	—
e1(E)	48	#4	7'-0"	—
e2(E)	36	#4	15'-1"	—
e3(E)	16	#8	22'-0"	—
e4(E)	16	#8	7'-0"	—
e5(E)	8	#8	25'-4"	—
e6(E)	16	#5	20'-10"	—
e7(E)	16	#5	7'-0"	—
e8(E)	8	#5	24'-2"	—
m(E)	8	#6	20'-7"	—
m1(E)	12	#6	21'-1"	—
m2(E)	24	#6	9'-0"	—
m3(E)	8	#6	6'-11"	—
m4(E)	4	#6	3'-1"	—
m5(E)	4	#6	3'-3"	—
s(E)	92	#5	5'-9"	7
s1(E)	92	#4	8'-2"	□
v(E)	84	#5	3'-4"	7
Reinforcement Bars, Epoxy Coated		Pound	55,740	
Concrete Superstructure		Cu. Yds.	219.7	
Bar Splicers		Each	589	



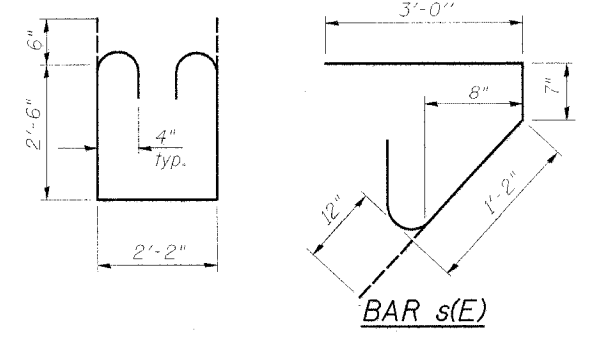
SECTION THRU PARAPET
(Showing 6" φ Drain)



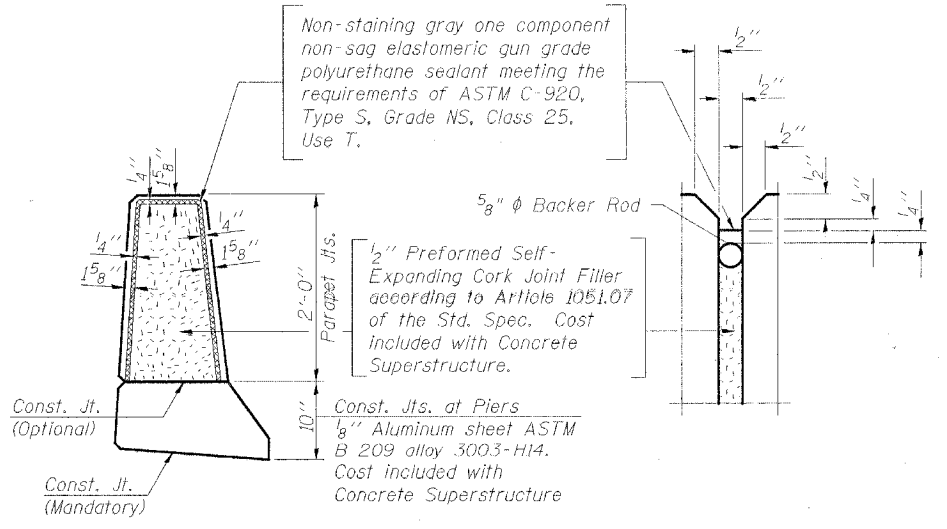
BARS d(E) & d2(E) BAR d1(E) BAR d3(E)



BAR v(E) BAR d4(E)

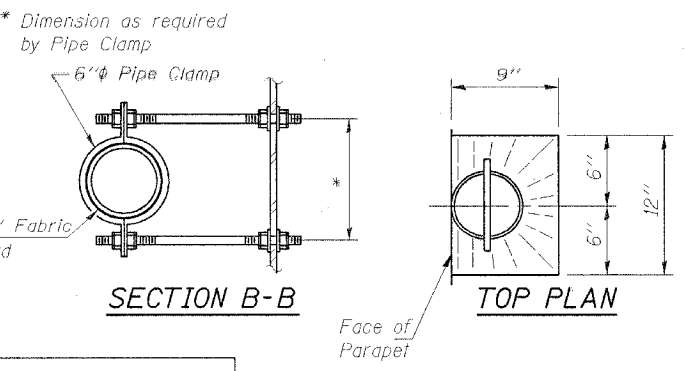


BAR s1(E)



PARAPET JOINT DETAILS

Notes:
The exterior surfaces of the floor drains shall be painted with the finish coat as specified in the special provisions for Cleaning and Painting New Metal Structures. The exterior surfaces of the drains shall be cleaned according to Steel Structures Painting Council's Spec. SSPC-SPI prior to painting. Fiberglass pipe shall conform to ASTM D 2996, with short-time rupture strength hoop tensile stress of 30,000 p.s.i. minimum.



SECTION B-B TOP PLAN

DESIGNED	-
CHECKED	-
DRAWN	TFG
CHECKED	CME/BD/MCB

COOMBE-BLOXDORF, P.C.
Engineers/Land Surveyors
Springfield, Illinois
Design Firm License No. 184-002703

NOTES
Reinforcement bars designated (E) shall be epoxy coated.
Bars indicated thus 1 x 2-#5 etc. indicates 1 line of bars with 2 lengths per line.

SUPERSTRUCTURE DETAILS
F.A.P. ROUTE 327 - SEC. 13B-2
MARION COUNTY
STATION 336+33.00
STRUCTURE NO. 061-0090