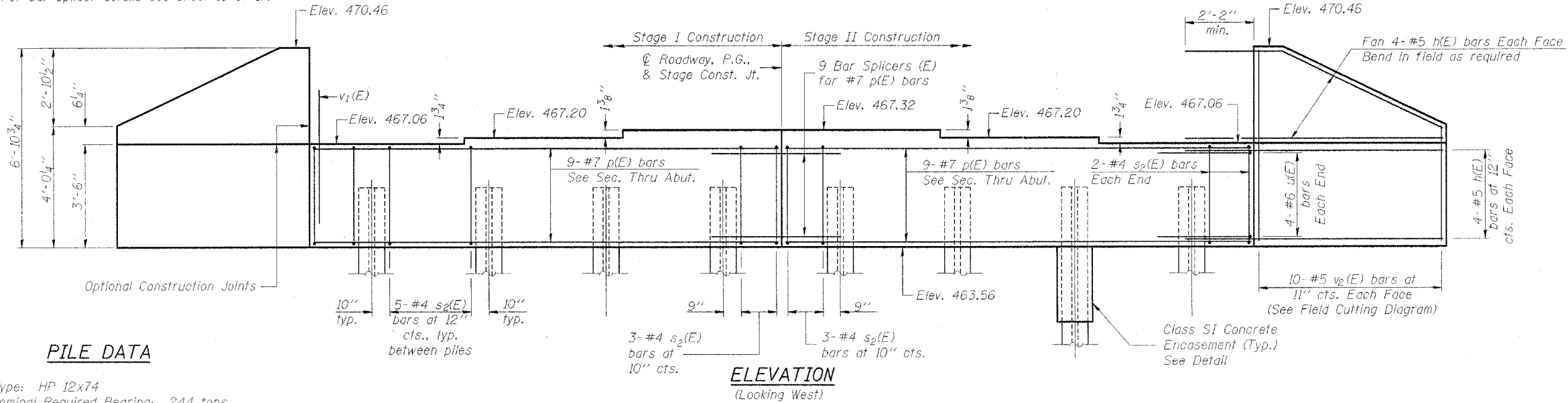


Notes: Four steps monolithically with cap.  
Reinforcement bars designated (E)  
shall be epoxy coated.  
Space reinforcement in cap to miss anchor bolts.  
For anchor bolt installation details, see sheet II of 17.  
For bar splicer details see sheet 16 of 17.

STATE OF ILLINOIS  
DEPARTMENT OF TRANSPORTATION

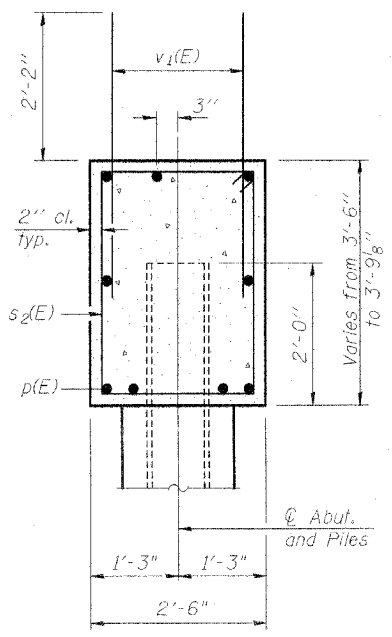
ROUTE NO.	SECTION	COUNTY	TOTAL SHEETS	SHEET NO.	SHEET NO. 12 17 SHEETS
FAP Rte. 327	13B-2	Marion	78	29	
FED. ROAD DIST. NO. 7		ILLINOIS	FED. AID PROJECT		

Contract #94964

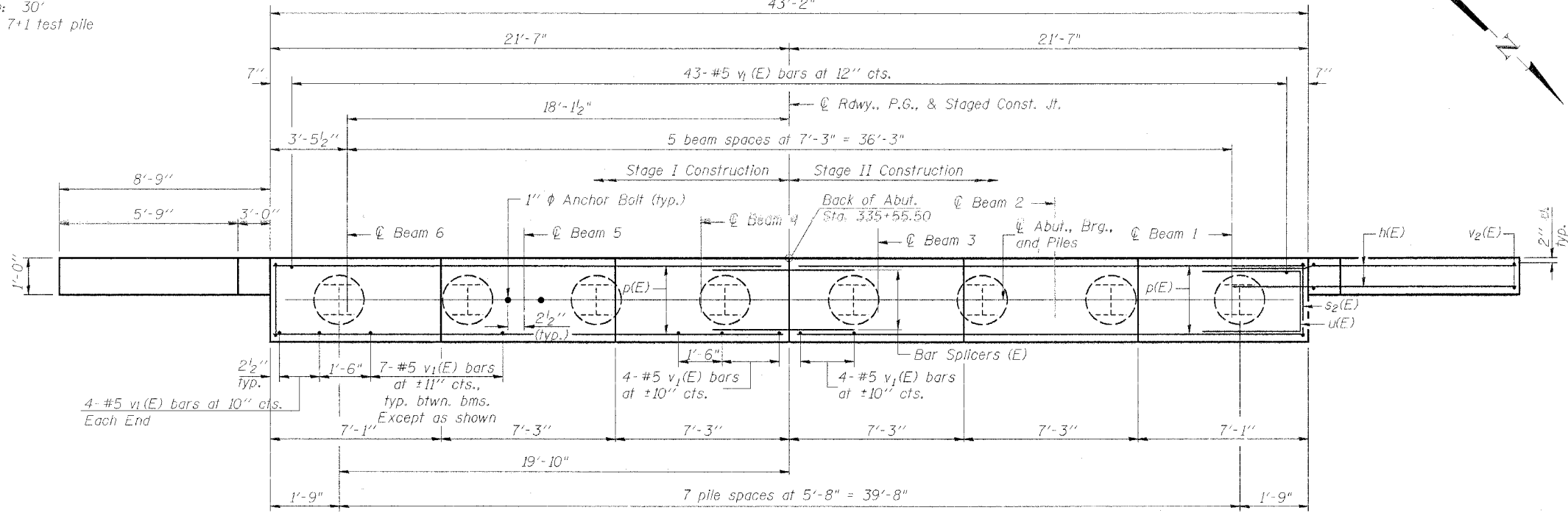


PILE DATA

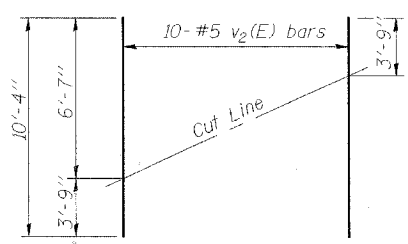
Type: HP 12x74  
Nominal Required Bearing: 244 tons  
Nominal Design Capacity: 110 tons  
Est. Length: 30'  
No. Req'd: 7+1 test pile



SEC. THRU ABUT.

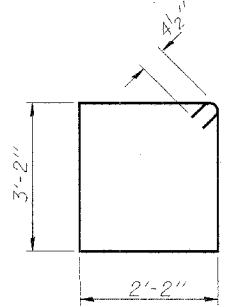


PLAN

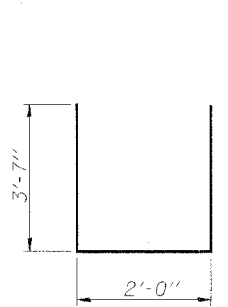


FIELD CUTTING DIAGRAM

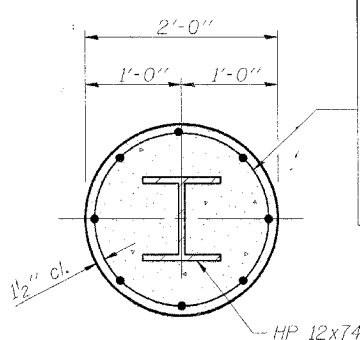
Order v2(E) full length. Cut as shown and use remainder of bars in opposite face.



BAR s2(E)



BAR u(E)



SECTION A-A

PILE ENCASEMENT DETAIL

BILL OF MATERIAL

Bar	No.	Size	Length	Shape
h(E)	32	#5	11'-4"	—
p(E)	18	#7	21'-4"	—
s2(E)	40	#4	11'-5"	□
u(E)	8	#6	9'-2"	—
v1(E)	87	#5	4'-4"	—
v2(E)	20	#5	10'-4"	—
Concrete Structures				
Reinforcement Bars, Epoxy Coated			Cu. Yd.	18.4
Structure Excavation			Pound	2190
Test Pile Steel HP12x74			Cu. Yd.	95
Furnishing Steel Piles HP12x74			Each	1
Driving Steel Piles			Foot	210
			Foot	210

DESIGNED	PRT
CHECKED	MAB
DRAWN	PRT
CHECKED	MAB

**HORNER & SHIFRIN, INC.**  
ENGINEERS ■ ARCHITECTS ■ PLANNERS

WEST ABUTMENT  
F.A.P. ROUTE 327 - SEC. 13B-2  
MARION COUNTY  
STATION 336+33.00  
STRUCTURE NO. 061-0090